

N2 CSHXDIV C

1901 Shower Range 1901 Exposed Concentric Chrome Shower Valve with Diverter and Rigid Riser Kit



Features:

- 15mm inlet connections
- Easy replacement with adjustable inlets so you can use on existing pipework centres between 136mm and 158mm
- Thermostatic cartridge with preset temperature stop at 42°C
- Traditional shower kit with external diverter, shower rose, rigid riser and handset
- Factory fitted flow regulators means this is a water saving "Eco" shower

Product Certifications:



WRAS Cert. Number: 2207907
WRAS Expiry Date: 31/07/2027



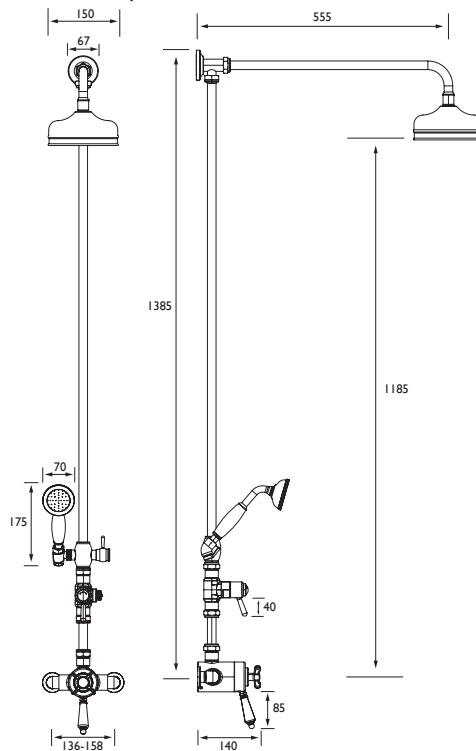
For more products, visit our website:
<http://www.bristan.com>



Specification

Finish/Colour:	Chrome Plated
Main Construction Material:	Brass
No of Controls:	3
Shower Type:	Dual Control
Shower Head Type:	Both
Valve/Cartridge Type:	Thermostatic Cartridge
Maximum Hot Water Supply Temperature °C:	65
Maximum Static Pressure: (bar)	10
Plumbing System Suitability:	All, preferably balanced
Minimum Dynamic Pressure:	0.2 bar
Connection Inlet:	15mm Compression Connections
Connection Outlet:	G 1/2"
Isolation Valve Included:	No
Check Valve Included:	Yes

Dimensions (measurements in mm)



Flow Rates (l/min)

System Pressure (bar)	0.2	0.5	1	2	3	5
Fixed Head	5.6	10	15.8	22.9	24.5	31.6
Fixed Head (Flow Limiter)	-	9	10.9	11.3	11.6	9.7
Handset	3.9	7.2	10.9	15.6	17.6	22.7
Handset (Flow Limiter)	-	6.8	9.9	10.8	11.3	9.9

TECHNICAL
DATA
SHEET



BRISTAN
TAPS & SHOWERS

D6