

# 1901 SHWR PK

# 1901 Shower Range

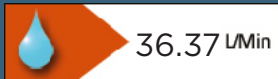
Complete 1901 Shower Pack



## Features:

- This Timeless shower pack contains our longest established 1901 range shower valve with a single outlet valve. It has a traditional adjustable riser shower kit with a single function handset and hose.
- Dual control - flow and temperature are controlled separately
- Fully serviceable from the front
- 15mm inlet connections
- Wall outlet designed with Bristan's Wall Mount Technology for easier installation

## Product Certifications:



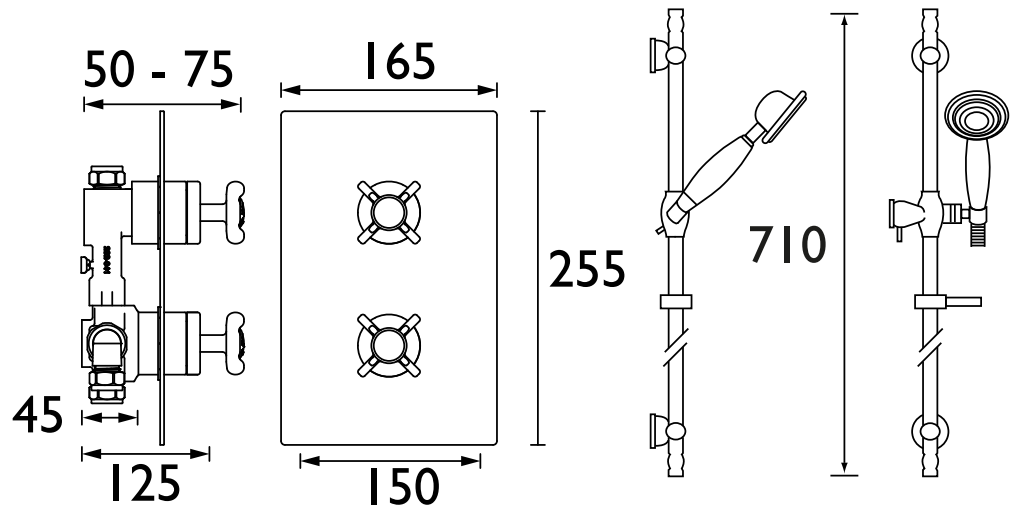
For more products, visit our website:  
<http://www.bristan.com>



## Specification

|                                          |                                   |
|------------------------------------------|-----------------------------------|
| Finish/Colour:                           | Chrome Plated                     |
| Main Construction Material:              | Brass                             |
| No of Controls:                          | 2                                 |
| Shower Type:                             | Recessed                          |
| Shower Head Type:                        | Handset                           |
| Valve/Cartridge Type:                    | Thermostatic Cartridge            |
| Maximum Hot Water Supply Temperature °C: | 80                                |
| Maximum Static Pressure: (bar)           | 10                                |
| Plumbing System Suitability:             | Suitable for all plumbing systems |
| Minimum Dynamic Pressure:                | Min: 0.2 bar, Max: 5.0 bar        |
| Connection Inlet:                        | 15mm Compression                  |
| Connection Outlet:                       | G 1/2"                            |
| Isolation Valve Included:                | No                                |
| Check Valve Included:                    | Yes                               |

## Dimensions (measurements in mm)



## Flow Rates (l/min)

| System Pressure (bar)   | 0.2  | 0.5   | 1  | 2    | 3     | 5     |
|-------------------------|------|-------|----|------|-------|-------|
| Through Handset (mixed) | 9.39 | 14.85 | 21 | 29.7 | 36.37 | 46.96 |

# TECHNICAL DATA SHEET



# BRISTAN

D3