

AE SHXAR C

ACUTE Shower Range Acute AE SHXAR Thermostatic Surface Mounted Shower Valve with Adjustable Riser Chrome



Specification

Product Type:	Mixer Shower
Main Construction Material:	Brass
Connection Inlet:	G ½" BSP
Connection Outlet:	G ½"
Number of Controls:	2
Flow Control Valve Type:	Single Sequential Cartridge
Plumbing System:	Suitable for all plumbing systems
Minimum Dynamic Pressure: (Bar)	0.1 Bar
Maximum Dynamic Pressure: (Bar)	5.0 Bar
Maximum Static Pressure: (Bar)	Min: 0.1 bar, Max: 5 bar
Maximum Hot Water Temperature: (°C)	65°C
Pre-set Outlet Temperature: (°C)	42°C
Isolation Included:	No
Check Valve Supplied:	No
Shower Kit:	Adjustable Riser

Features:

- 15mm inlet connections
- Easy replacement with adjustable inlets so you can use on existing pipework centres between 110mm and 155mm
- Thermostatic cartridge with preset temperature stop at 42°C
- TMV2 thermostatic control for a higher level of performance and protection
- Supplied with 1 x 7L/min and 1 x 5L/min flow regulators

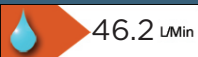
Product Certifications:



WRAS Cert. Number: 1905901
WRAS Expiry Date: 31/05/2024



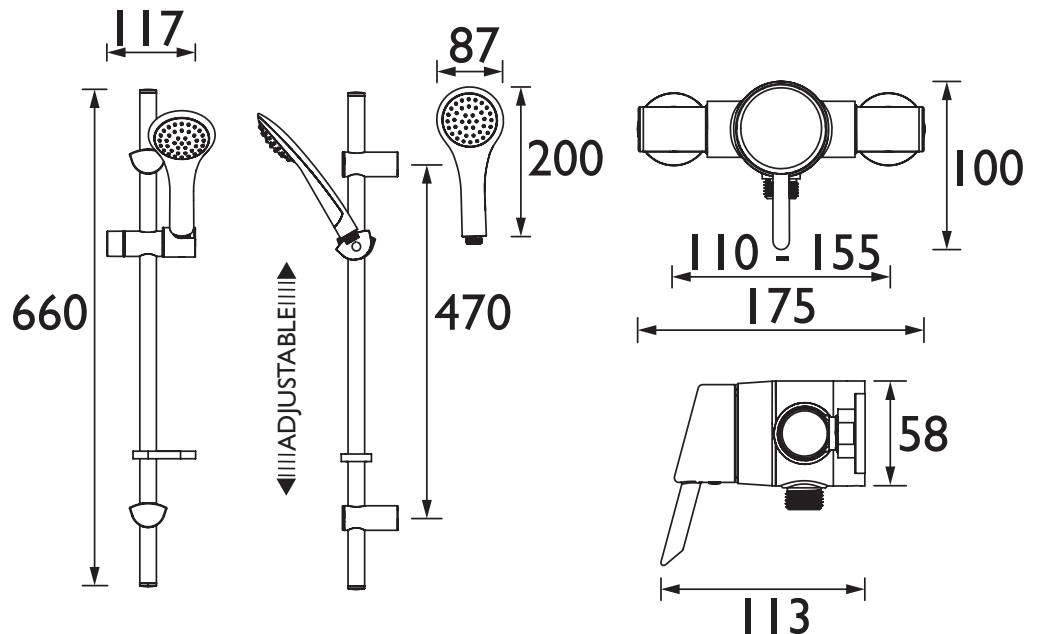
TMV2 Cert. Number: NSF2126/0619
TMV2 Expiry Date: 13/06/2024



For more products, visit our website:
<http://www.bristan.com>



Dimensions (measurements in mm)



Flow Rates (l/min)

System Pressure (bar)	0.1	0.2	0.5	1	2	3	5
AE SHXAR C (with flow regulators)	2.2	3.2	5.1	6.7	7.2	7.5	7.8
AE SHXAR C (without flow regulators)	5.9	10	18.9	26.7	37.8	46.2	59

TECHNICAL DATA SHEET



BRISTAN

D10