

AR2 SHXMTFF C

ARTISAN Shower Range Artisan Thermostatic Surface Mounted Bar Shower Valve with Adjustable Riser & Fast Fit Connections



Features:

- Supplied with our wallmount 12 fixing kit. The simplest solution for installing, maintaining and replacing bar showers, using built in front-of-wall isolation valves
- Thermostatic cartridge with preset temperature stop at 38°C, can be over-riden to a maximum of 46°C
- Flow control handle incorporates an eco button to save water, this can be overridden by the user
- 15mm inlet connections
- Includes 1.5m hose, multi-function rub-clean anti-limescale handset and hose retainer

Product Certifications:



WRAS Certificate No: 2005902
WRAS Expiry Date: 31/05/2025



TMV2 Cert No: NSF2262/0720
TMV2 Expiry Date: 16/07/2025

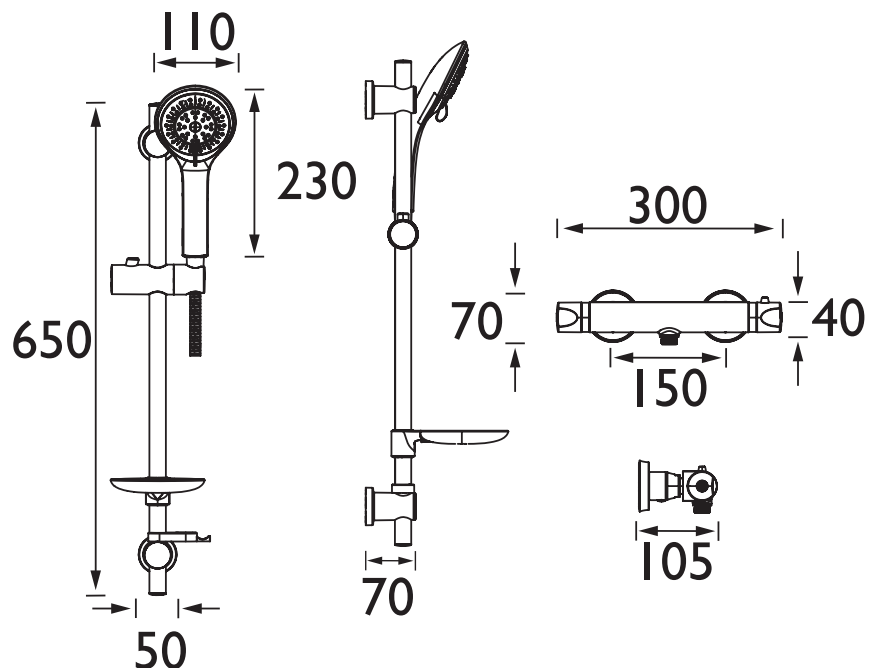


For more products, visit our website:
<http://www.bristan.com>

Specification

Finish/Colour:	Chrome
Main Construction Material:	Brass
No of Controls:	2
Shower Type:	Bar Shower
Shower Head Type:	Adjustable
Valve/Cartridge Type:	Thermostatic
Maximum Hot Water Supply Temperature °C:	60
Maximum Static Pressure: (bar)	10
Plumbing System Suitability:	All, Ideally Balanced
Working Pressure Range:	Min: 0.2 Bar, Max: 5 Bar
Connection Inlet:	15mm Compression
Connection Outlet:	G 1/2"
Isolation Valve Included:	Yes
Check Valve Included:	Yes

Dimensions (measurements in mm)



Flow Rates (l/min)

System Pressure (bar)	0.2	0.5	1	2	3	5
Handset Flow Mode 1 only	1.8	3.4	5.3	7.5	9.4	11
Through Handset (mixed)	2.1	4	6.2	8.9	11	13
Handset Flow Mode 2 only	1.6	3.3	5.1	7	8.7	10.1

TECHNICAL DATA SHEET



BRISTAN

D12