

BUZ2 SHXDIVCTFF C

SAFETOUCH Shower Range

Buzz2 Adjustable Rigid Riser Diverter Bar Shower



Features:

- Unique Safe Touch technology ensures the bar valve stays cool to the touch while in use.
- Dual control - Flow and temperature are controlled separately giving accurate control of both.
- Factory set to a maximum of 38°C to eliminate the ability to select an unsafe temperature, can be adjusted up to a maximum of 43°C.
- Supplied with 1.5m hose, adjustable riser rail, hose retainer and multi-function handset with rub clean nozzles.
- Supplied with WMNT12 C isolation fast fit connections.

Product Certifications:



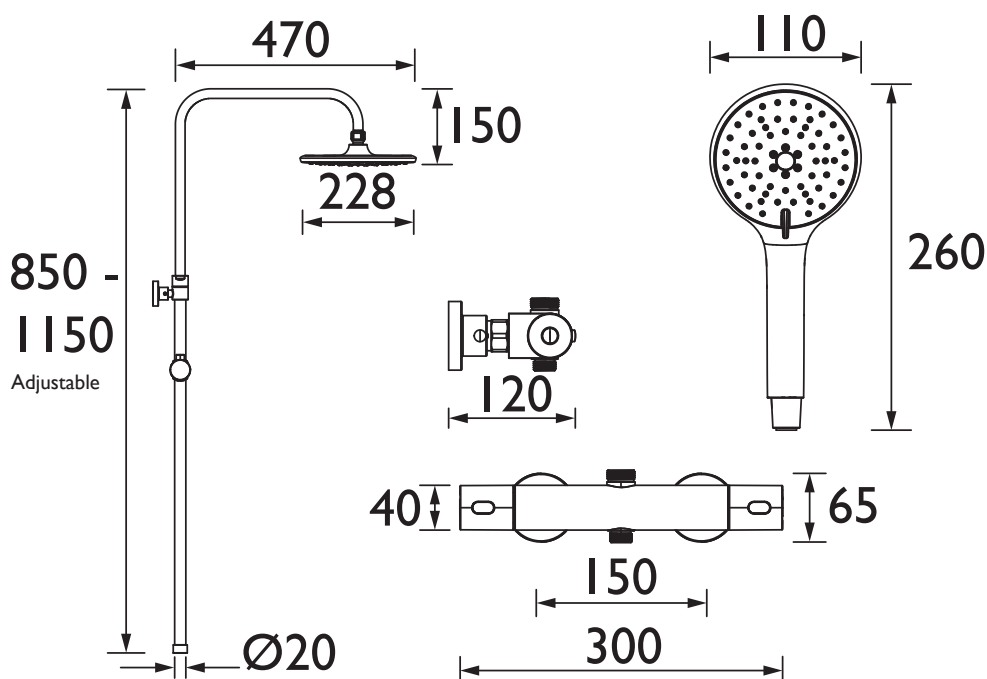
For more products, visit our website:
<http://www.bristan.com>



Specification

Product Type:	Bar Mixer Shower
Main Construction Material:	Brass
Connection Inlet:	15mm Compression
Connection Outlet:	G1/2" BSP
Number of Controls:	2
Flow Control Valve Type:	Thermostatic Cartridge
Plumbing System:	Suitable for all plumbing systems
Minimum Dynamic Pressure: (Bar)	0.5
Maximum Dynamic Pressure: (Bar)	5.0
Maximum Static Pressure: (Bar)	10
Maximum Hot Water Temperature: (°C)	43
Pre-set Outlet Temperature: (°C)	38
Isolation Included:	No
Check Valve Supplied:	Yes
Shower Kit:	Adjustable Rigid Riser Shower Kit

Dimensions (measurements in mm)



Flow Rates (l/min)

System Pressure (bar)	0.5	0.3	1	2	3	5
Through Handset (mixed)	3.8	2.6	5.5	7.8	9.6	11.8
Through Fixed Head (Mixed)	3.8	2.6	5.8	8.7	10.2	12.5

TECHNICAL DATA SHEET



BRISTAN

D4