

CAS KIT01 C

SHOWER ACC Shower Range Casino Shower Kit with Single Function Small Handset Chrome



Features:

- Includes 1.5m hose, fixed position riser rail, rub-clean anti-limescale handset and hose retainer
- Clam packed

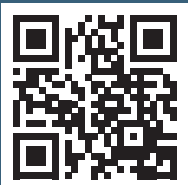
Product Certifications:



WRAS Certificate No: 2302900
WRAS Expiry Date: 28/02/2028



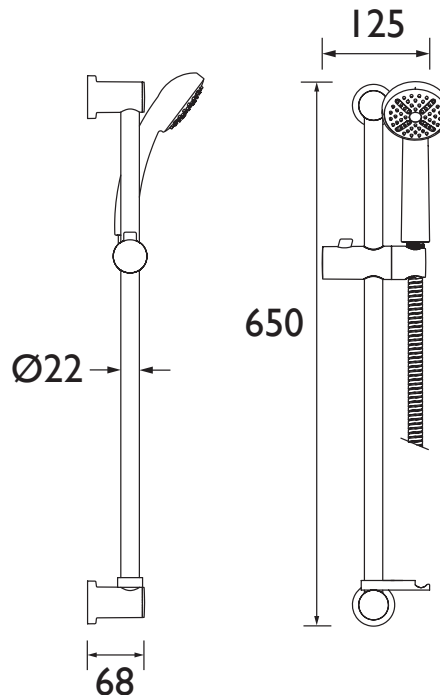
For more products, visit our website:
<http://www.bristan.com>



Specification

Finish/Colour:	Chrome Plated
Main Construction Material:	ABS; EPDM; Stainless Steel
Shower Kit:	Adjustable Riser
Shower Head Type:	Single Function Handset
Rub Clean Handset:	Yes
Mounting Type:	Wall
Plumbing System Suitability:	Suitable for all plumbing systems
Minimum Dynamic Pressure (bar):	0.2 bar
Maximum Dynamic Pressure (bar):	5 bar
Maximum Static Pressure (bar):	10 bar
Maximum Hot Water Supply Temperature °C:	65
Isolation Included:	No
Check Valve Included:	No
What's Included:	1x Riser Rail, 2x End Brackets, 1x Slider Bracket, 1x Hose Retaining Ring, 1x Handset, 1x 1.5m Cone To Nut Hose, 1x Fitting Instructions

Dimensions (measurements in mm)



Flow Rates (l/min)

System Pressure (bar)	0.2	0.5	1	2	3	5
Through Handset (mixed)	4.7	7.4	10.5	14.9	18.2	23.5

TECHNICAL DATA SHEET



BRISTAN

D6