

# CNN EFSNK C

## CINNAMON Tap Range Cinnamon Easyfit Monobloc Sink Mixer Chrome



### Specification

|  |   |
|--|---|
| <b>Product Type:</b>                     | Kitchen Taps  |
| <b>Main Construction Material:</b>       | Brass   |
| <b>Mount Type:</b>                       | Deck  |
| <b>Handle Type:</b>                      | Lever   |
| <b>Connection Inlet:</b>                 | 1/2" BSP Flexible Tails                             |
| <b>Connection Outlet:</b>                | Anti-splash   |
| <b>Number of Tap Holes:</b>              | 1   |
| <b>Valve/Cartridge Type:</b>             | 35mm Cartridge                                      |
| <b>Plumbing System Requirements:</b>     | Suitable for all plumbing systems, ideally balanced |
| <b>Minimum Dynamic Pressure (bar):</b>   | 0.3 bar   |
| <b>Maximum Dynamic Pressure (bar):</b>   | 5.0 bar   |
| <b>Maximum Hot Water Temperature °C:</b> | 60°C  |
| <b>Maximum Static Pressure (bar):</b>    | 10 bar  |
| <b>Flow Type:</b>                        | Single  |
| <b>Isolation Included:</b>               | Yes   |

### Features:

- Long life ceramic cartridge for added durability and ease of use
- Metal fixing nut for added durability
- Easyfit base included
- Flexible tails included

### Product Certifications:



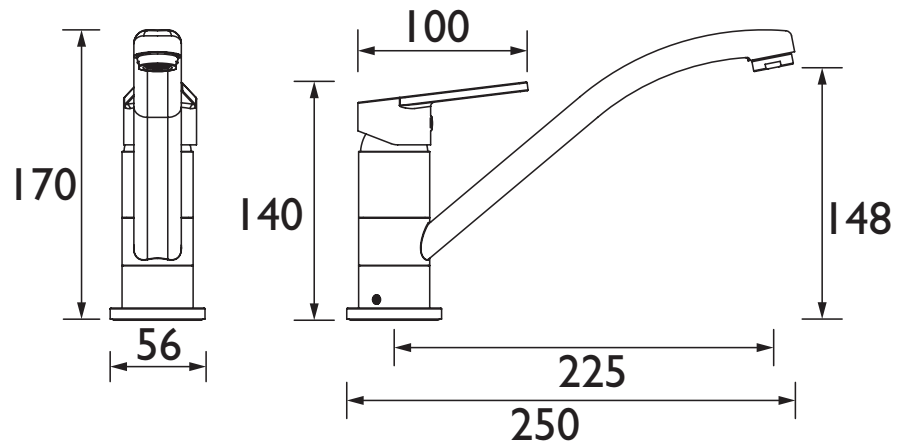
WRAS Certificate No: 910904  
WRAS Expiry Date: 31/10/2024



For more products, visit our website:  
<http://www.bristan.com>



### Dimensions (measurements in mm)



### Flow Rates (l/min)

| System Pressure (bar) | 0.3 | 0.5 | 1    | 2    | 3    | 5    |
|-----------------------|-----|-----|------|------|------|------|
| CNN EFSNK C (mixed)   | 6.1 | 7.8 | 11.1 | 15.7 | 19.2 | 24.8 |

## TECHNICAL DATA SHEET



# BRISTAN

D10