

VAC BSNK WHT

VALUE Tap Range
Club Budget Monobloc
Sink Mixer White



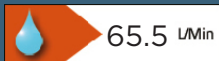
Features:

- Dual flow prevents hot water entering the mains supply
- Metal handles

Product Certifications:



WRAS Cert. Number: 2003905
WRAS Expiry Date: 31/03/2025



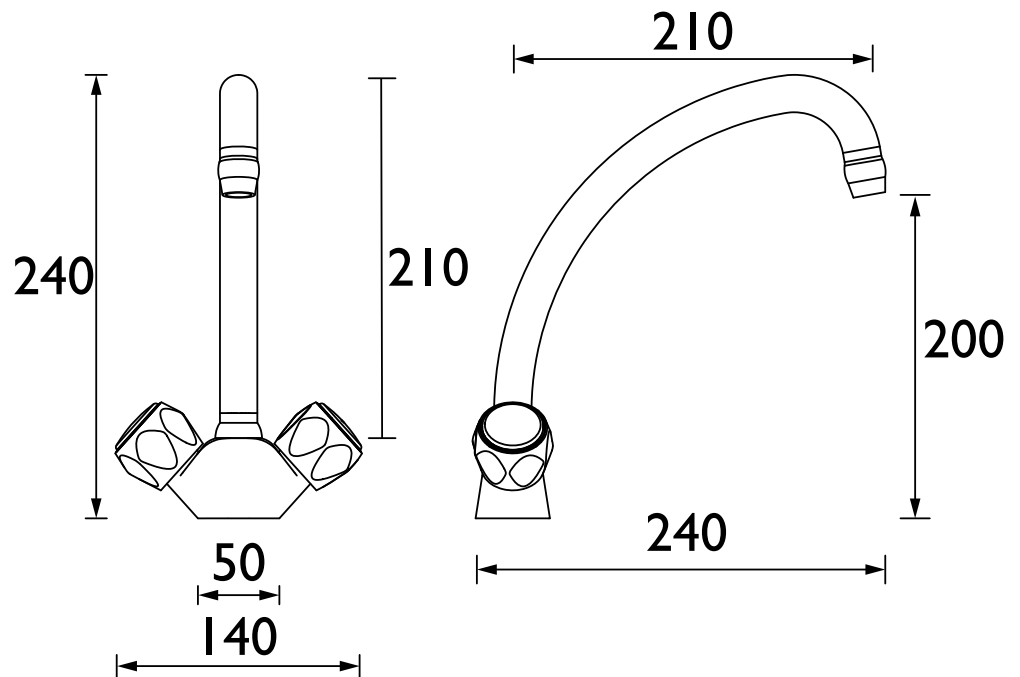
For more products, visit our website:
<http://www.bristan.com>



Specification

Product Type:	Kitchen taps
Main Construction Material:	Brass
Mount Type:	Deck Mounted
Handle Type:	Club Handles
Connection Inlet:	15mm copper tails
Connection Outlet:	Open
Number of Tap Holes:	1
Valve/Cartridge Type:	1/2" Standrad Valve
Plumbing System Requirements:	Suitable for all plumbing systems
Minimum Dynamic Pressure:	0.2 Bar
Maximum Dynamic Pressure:	7.0 Bar
Maximum Hot Water Temperature: °C	60
Maximum Static Pressure: (bar)	10
Flow Type:	Dual Flow
Isolation Included:	No

Dimensions (measurements in mm)



Flow Rates (l/min)

System Pressure (bar)	0.2	0.5	1	2	3	5
VAC BSNK C MT	16.91	26.74	37.82	53.48	65.5	84.56

**TECHNICAL
DATA
SHEET**



BRISTAN

D8