

# BRISTAN

Value Bath Shower Mixer Range

Installation Instructions & User Guide



Please keep these instructions for future reference and request of replacement parts

## Introduction

Thank you for choosing Bristan, the UK's leading taps and showers expert. We have designed these products with your enjoyment in mind. To ensure that they work to their full potential, they need to be fitted correctly. These fitting instructions have been created to give you all of the information you need and, if you need any further help, please do not hesitate to give us a call on 0844 701 6273.

## Safety Note

Please read these instructions thoroughly and retain for future use. All products manufactured and supplied by Bristan are safe provided they are installed correctly, used correctly and receive regular maintenance in accordance with these instructions.

These fittings need to be installed in accordance with and meet the requirements of the Water Supply (Water Fittings) Regulations 1999 and Scottish Byelaws 2004.



Before starting any installation please consider the following:

Prior to drilling into walls, check that there are no hidden electrical wires, cables or water supply pipes. This can be checked with the aid of an electronic detector.

If power tools are used do not forget to:

- Wear eye protection
- Unplug equipment after use

## Specification

	Min.	Max.
Operating pressure range (bar)	0.2	7.0
Maximum static pressure –	10.0 bar	


NOTE:- Nominally equal (balanced) inlet supply pressures are recommended for optimum performance.

Designed to comply with BS EN 200 for single taps/ combination taps for water systems of type 1 and 2 general technical specifications and to be used within systems designed to BS 6700.

BS 6700 recommends the temperature of stored water should never exceed 65°C. A stored water temperature of 60°C is considered sufficient to meet all nominal requirements and will minimise the build up of lime scale in hard water areas.

## Installation

1. Identify all components are present prior to installation.
2. Fit the mixer body (9) (see page 4) to the bath ensuring that the foam gasket (10) is fitting between the mixer body (9) and the bath.
3. Secure the mixer to the bath using the rubber washers (11) and backnuts (12).
4. Connect both hot and cold water supplier to the mixer using 3/4" tap connectors (not supplied).
5. Fit the conical end of the hose to the mixer body ensuring that the small washer is fitted, and the ribbed end of the hose to the handset ensuring that the small washer is fitted.

 Prior to drilling into walls, check that there are no hidden electrical wires, cables or water supply pipes. This can be checked with the aid of an electronic detector.

If power tools are used do not forget to:

- Wear eye protection
- Unplug equipment after use

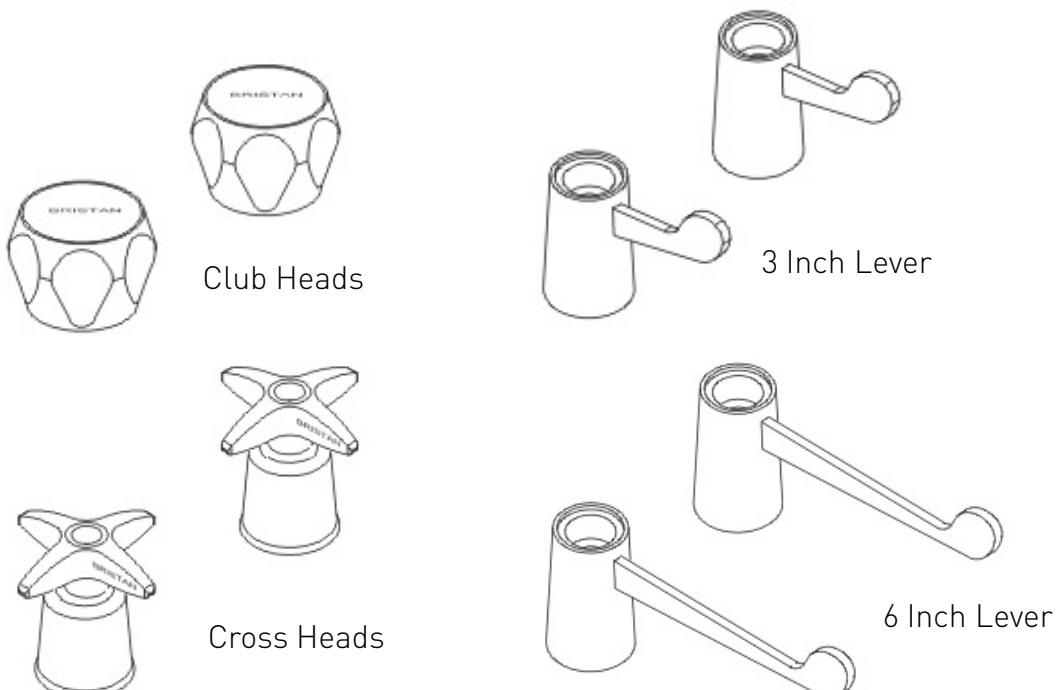
6. Fix the wall bracket to the wall using the fixings provided, ensuring that the hose will reach it.

**Note:** The ribbed end of the hose fits into the wall bracket and not the shower head.

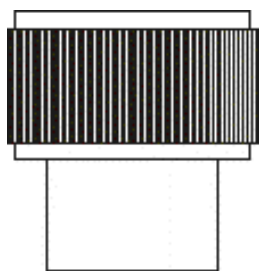
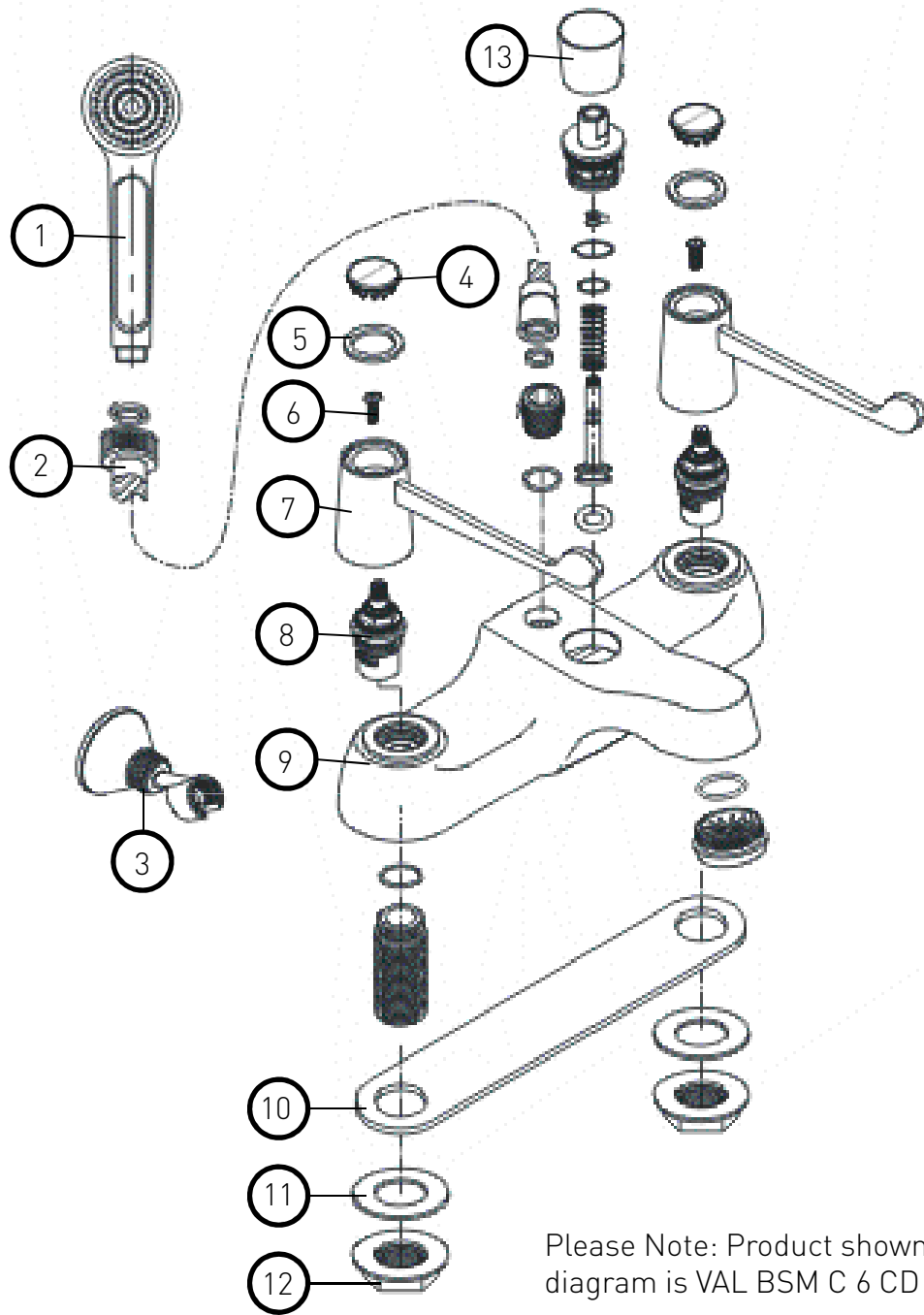
7. Turn on both water supplies and open both valves. Operate the mixer in both bath fill and shower mode letting the water run for a few minutes to check all joints and connections for leaks. After using the shower mode the mixer automatically reverts to bath fill mode.

### Handle Options

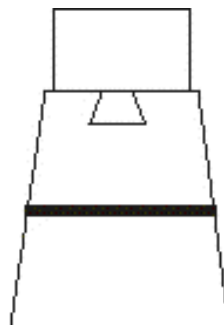
VAC LBSM C NH is not fitted with handles, Handles will need to be purchased separately.



## Installation cont.



Ribbed End of the hose fits onto the showerhead



Conical end of the hose fits onto the shower body

## Installation Requirements & Notes

These fittings need to be installed in accordance with the following Installation Requirements and Notes (IRN) to ensure they meet the requirements of the Water Supply (Water Fittings) Regulations 1999 and the Scottish Byelaws 2004.

**IRN R001:** See text of entry for Installation Requirements or Notes.

**IRN R010: - Schedule 2-15 (1) :** Water supplies shall be a reasonably balanced pressures from a common source (e.g. hot and cold supplies both from the same storage or both from a supply pipe). Where the fitting is supplied from unbalanced supplies (e.g. hot and cold supplies from separate sources) a 'Listed' single check valve or some other no less effective backflow prevention device shall be fitted immediately upstream of both hot and cold water inlets.

**IRN R040: - Schedule 2-15 (1):** The fitting shall be installed so that its outlet discharges above the spill-over level of any fixed appliance as indicated below:-

**For backflow protection in domestic or installations up to, and including, Fluid Category 3.**

If the fitting cannot be installed as indicated in the table opposite it shall be installed as either **a** or **b** below:

**a:** with an approved double check valve assembly or some other no less effective backflow prevention device immediately upstream of the inlet.

**b:** so that it draws water by gravity only from a cistern, or cylinder having a permanently open vent pipe, and the distributing pipe supplies no other fitting (other than draining tap) at a lower level.

**For backflow protection in premises or installations up to, and including Fluid Category 5.**

The vertical distance of the outlet above the spill-over level shall be not less than 20mm or twice the diameter of the inlet pipe to the fitting, which ever is the greater. If the fitting cannot be installed as indicated it shall be installed with a backflow prevention arrangement suitable for the Fluid Category.

Size of tap or combination fitting.	Vertical distance of outlet above spill-over level.
1. Not exceeding 1/2 in	20mm
2. Exceeding 1/2 in but not exceeding 3/4 in	25mm
3. Exceeding 3/4 in	70mm

# BRISTAN

## Cleaning & Maintenance

Your fitting has a high quality finish and should be treated with care to preserve the visible surfaces. All finishes will wear if not cleaned correctly. The only safe way to clean your product is to wipe with a soft damp cloth. Stains can be removed using washing up liquid. All bathroom cleaning product (powders and liquids) will damage the surface of your fitting, even the non-scratch cleaners.

NOTE:- Never use abrasive detergents or disinfectants or those containing alcohol, hydrochloric or phosphoric acid.

We advise that your fitting is regularly serviced, particularly in hard water areas.

If the fitting begins to drip:

1. Turn off both water supplies to the mixer.
2. Remove the handle cap, loosen the screw and pull the handle off the tap.
3. Remove the valve using the suitable spanner.
4. Carefully clean the seating, rubber washer and ceramic disc valve.
5. Replace the valve, spline adaptor and screw.
6. Push the handle back onto the spline adaptor.
7. Turn on both water supplies and check all joints and connections for any leaks.

If the problem persists contact our customer services help line.

**Bristan recommend E-Cloth for cleaning all of our bathroom & kitchen products. Using just water, E-cloth gives a smear free, deep clean by breaking up and holding dirt, which normal cloths leave behind. Order through your Bristan stockist.**

**(ORDER CODE: ECLOTH)**



## Bristan Guarantee

Bristan offers solid guarantees to provide you with complete peace of mind.

### Taps and Mixers

5 year parts and 1 year labour\*. Gold, painted and special finishes 3 years parts only.

All subject to proof of purchase.

### Mixer Shower Valves

5 year parts. 5 year labour\* (subject to registration), or 1 year with proof of purchase.

Gold, painted and special finishes 3 years parts only.

### Pumps and Power Showers

2 year parts. 1 year labour\* (subject to registration).

### Electric Showers/Instantaneous Water Heaters

2 year parts. 1 year labour\* (subject to registration).

### Accessories

5 year parts only. Includes bathrooms accessories, shower accessories (e.g. hoses, handsets and poles), wastes, WC levers and light pulls. Gold, painted and special finishes 3 years parts only.

### Sanitaryware

5 year parts only. Subject to proof of purchase.

### Shower Enclosures and Shower Trays

10 year parts (subject to registration), or 2 years with proof of purchase. 1 year labour\* (subject to registration), or 1 year with proof of purchase.

### Heated Towel Rails

5 year parts only. Gold, painted and special finishes 3 years parts only. All subject to proof of purchase.

\*Labour provided by an approved Bristan engineer. Guarantee only applies to products with a manufacturing fault. A deferred payment will be necessary in order to secure any visits by our engineers which will be charged if the problem is found **not** to be a manufacturing fault. If the fault is found to be down to a manufacturing error, the payment will be released and not charged.

This guarantee applies to products purchased within the United Kingdom or Republic of Ireland, but does not apply to products used commercially.

The guarantee is only available to original purchasers who have proof of purchase.

The installation must allow ready access to all products for the purpose of inspection, maintenance or replacement.

Any part found to be defective during the above guarantee period will be replaced without charge, providing that the product has been installed in accordance with the instructions, used as intended, and regularly serviced.

Servicing should be carried out at regular intervals of no more than 12 months and more frequently in hard water areas (heavy lime scale) areas.

In the unlikely event that any problems are encountered with the product's performance on installation, you must obtain guidance/authorisation from our Customer Service Department, and be able to supply proof and date of purchase, before any remedial action is taken.

The guarantee excludes general wear and tear and damage caused by accident, misuse or neglect, and does not cover the following:

- Components that are subject to general wear and tear such as filters, seals, 'O' rings and washers etc.
- Damage caused by faulty installation
- Damage caused by lime scale or any waterborne debris
- Damage caused by inappropriate cleaning products (see user instructions)
- Damage caused by the use of non-Bristan parts
- The product being used for a purpose other than intended by the manufacturer.

In the interests of continuous product improvement Bristan reserves the right to alter specification as necessary.

If your product is out of its guarantee period, or you would like to extend the guarantee, then please see our [extended warranty offer](#).



**Guarantee**



**Guarantee**



**Guarantee**



**Guarantee**



**Guarantee**

# BRISTAN

This booklet covers all product codes  
VAL BSM C CD / VAL BSM C 6 CD / VAC LBSM C MT  
VAC LBSM C NH / VAX BSM C

**Helpline**

**0844 701 6273**

Bristan Group Limited

Birch Coppice Business Park, Dordon, Tamworth, Staffordshire B78 1SG

A Masco Company

Website: [www.bristan.com](http://www.bristan.com)

Telephone: 0844 7016 274      Facsimile: 0844 701 6275

Email: [enquire@bristan.com](mailto:enquire@bristan.com)