

# BRISTAN

## Installation Instructions & User Guide

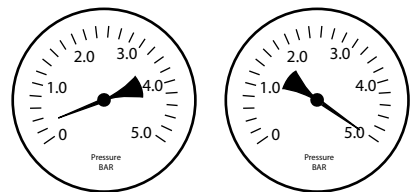
Please leave these instructions with the end user

Product Code: COB BSM C (D8)

### Specifications

#### Dynamic Water Pressure

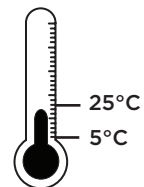
Min: 0.3 bar Max: 5.0 bar



Maximum Static Pressure: 10.0 bar

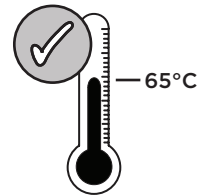
#### Inlet Water Temperature

##### Cold Water Supply



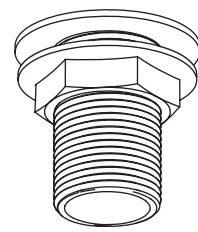
Min: 5°C Max: 25°C

##### Hot Water Supply



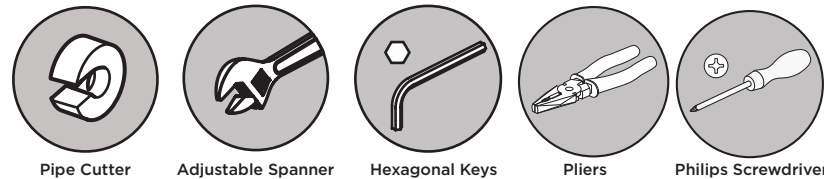
65°C Recommended

#### Inlet Connections



3/4" BSP

### Tools You'll Need



### Spare Parts

To replace any spare parts for your tap, why not scan the QR Code or visit [www.bristan.com](http://www.bristan.com) and search for your product.



### Prior to Installation

All products manufactured and supplied by Bristan are safe to use provided that they are installed, operated and receive regular maintenance in accordance with these instructions.

This product needs to be installed in accordance with, and meet the requirements of the Water Supply (Water Fittings) Regulations 1999 and current by-laws. For full Installation Requirements & Notes (IRN) please visit [wras.co.uk/directory](http://wras.co.uk/directory).

Isolation valves must be fitted to the inlet water supplies to ensure ease of future maintenance.

Before installing this product the water supply must be thoroughly flushed in order to remove any swarf, solder etc.

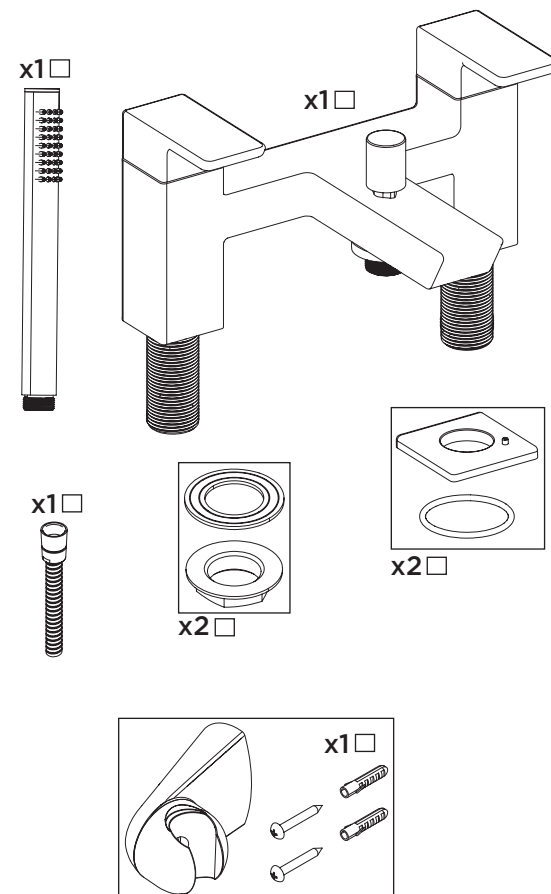
This product must not be modified in any way as this will invalidate the guarantee.

Full access must be made available for future maintenance/servicing purposes.

If in doubt, contact a registered plumber or your Local Water Authority or the Secretary of the Institute of Plumbing, address as follows:-

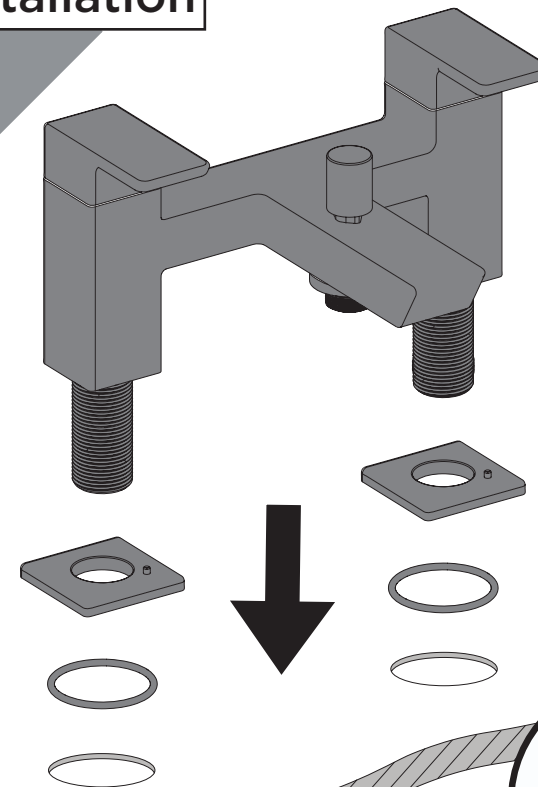
The Institute of Plumbing,  
64 Station Lane,  
Hornchurch,  
Essex,  
RM12 6NB, Tel: 01708 472791

### Pack Contents



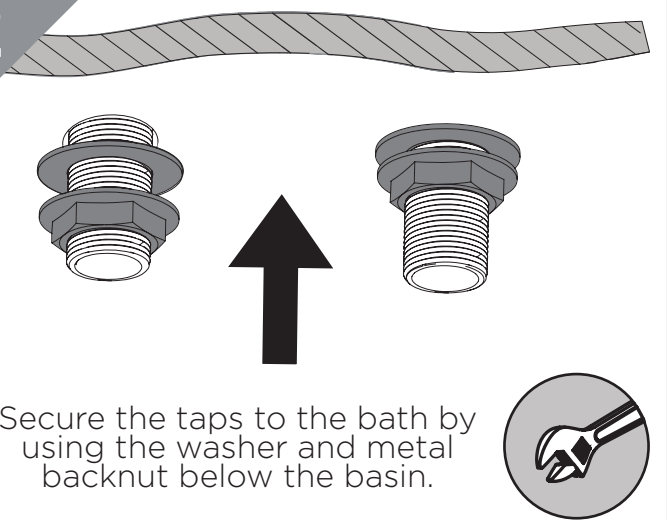
### Installation

1



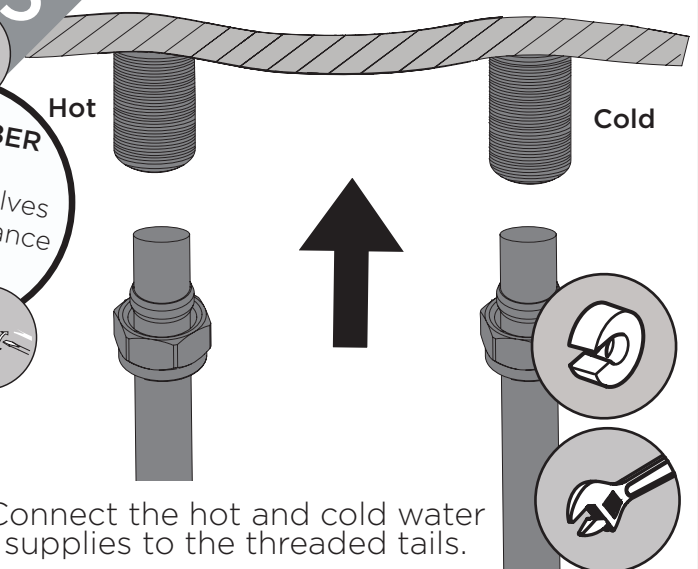
Fit the taps to the bath, ensuring the plinth is in place.

2



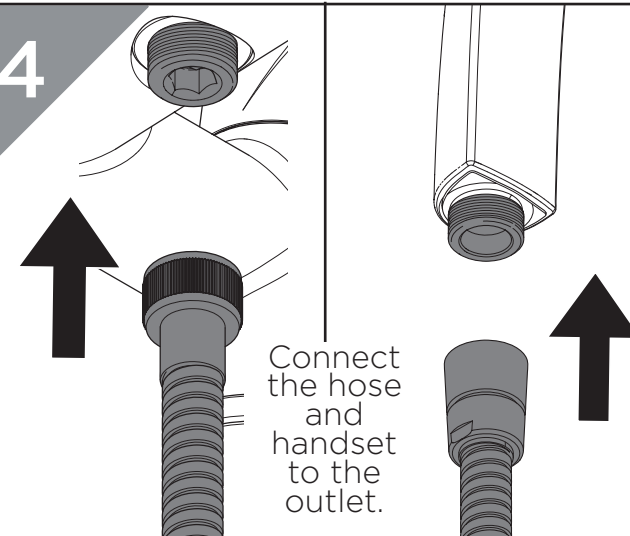
Secure the taps to the bath by using the washer and metal backnut below the basin.

3



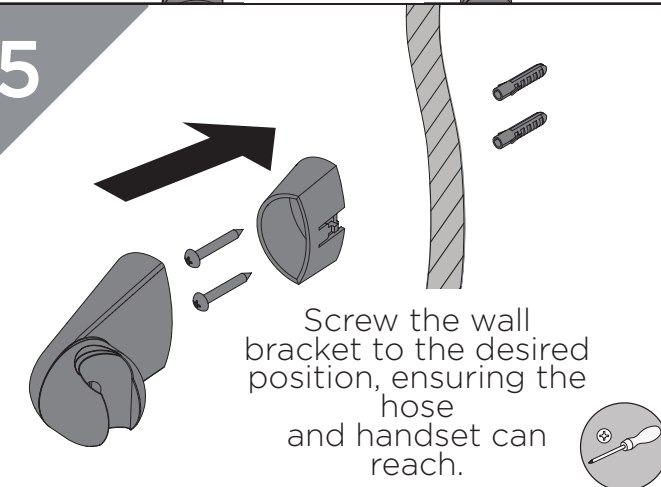
Connect the hot and cold water supplies to the threaded tails.

4



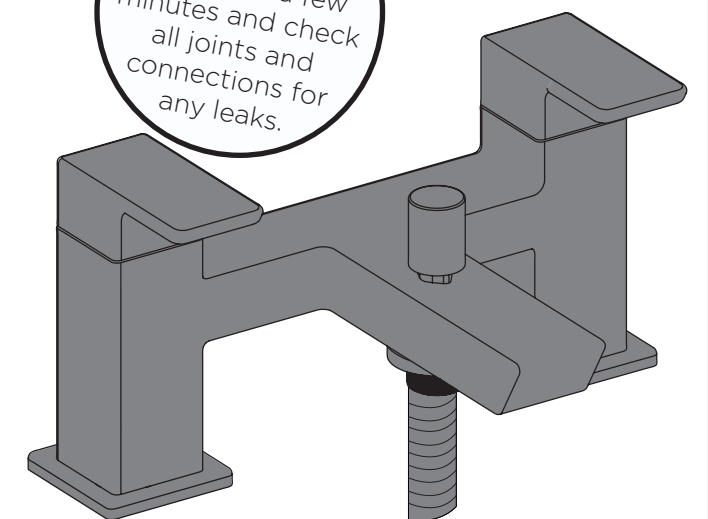
Connect the hose and handset to the outlet.

5



Screw the wall bracket to the desired position, ensuring the hose and handset can reach.

6

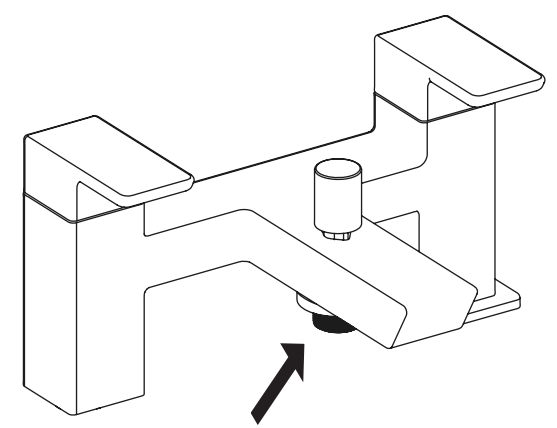
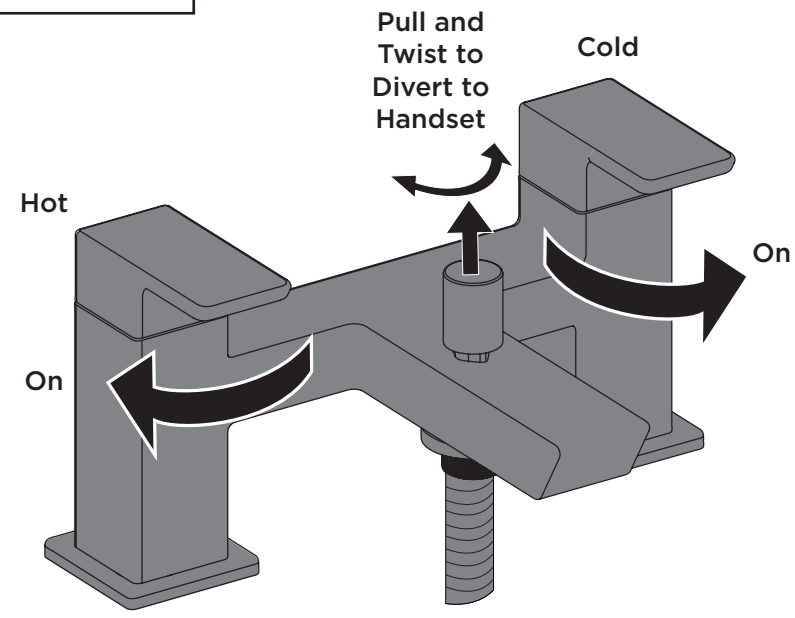


Turn on the water supply.

**REMEMBER**  
To fit isolation valves for maintenance purposes

**IMPORTANT**  
Turn on water supply for a few minutes and check all joints and connections for any leaks.

## Operation



To change the original direction of the hose connection, loosen the screw found on the diverter, change the direction and tighten the screw. The original direction of the diverter hose is backwards.

## Troubleshooting

| Symptom                  | Cause   | Remedy   |
|--------------------------|---|--|
| No flow or low flow rate | Partially closed isolation valve.   | Open isolation valve.  |
|                          | Instantaneous water heater cycles on and off as flow rate or pressure is too low.                                 | Increase water flow rate or pressure through system.                                     |
|                          | Head of water is below the minimum distance required.   | Refer to specification for minimum distance required.                                    |
|                          | Hot or cold water being drawn off elsewhere causing pressure changes or instantaneous boiler temperature changes. | Do not use other water outlets when using the taps.                                      |
| Water dripping from taps | Airlock or partial blockage in the supply pipework.   | Flush through pipework to ensure removal of debris and any airlocks.                     |
|                          | This is normal for a short time after using the taps.   | This is caused by residual water tension, the build up of water in the tap body.         |
| Taps do not turn on      | If water continues to drip, possibly due to the ceramic disc valves   | Remove valves and clean, refer to 'Maintenance' section before starting any maintenance. |
|                          | Closed isolation valve.   | Open isolation valve.  |
|                          | Mains water supply turned off.  | Turn on mains water supply.  |

## Maintenance - Clean/Replace Outlet

**1**

**IMPORTANT**  
Isolate the water supply before starting!

Remove the flow straightener.

**2**

Place flow straightener parts in a suitable solution and soak until fully de-scaled.

**3**

Reverse the maintenance steps to replace the aerator.

### Servicing Your Tap

We recommend servicing your tap at least once every year to prolong its life. To see a video showing how to remove the cartridge for servicing, scan the QR code with your smart phone or tablet.

Alternatively visit [www.youtube.com/BristanTV](http://www.youtube.com/BristanTV)

## Maintenance - Valve Cleaning

**1**

Loosen the handle grub screws. Remove handles.

**2**

Remove the adaptors and valves.

**3**

Place valves in a suitable solution and soak until fully de-scaled.

**4**

Reverse the maintenance steps to replace the valves.

## General Cleaning

Bristan products are made from premium materials, with hand polishing and electroplated finishes.

Your taps or shower should be regularly cleaned with warm water, a mild pH-neutral liquid soap, and polished with a soft cloth. Any residues from soap, toothpaste, shampoos and shower gels can cause blemishes if not rinsed off straight after use.

Household bleaches and cleaners contain harsh chemicals and may damage the surface finish. Avoid using abrasive cloths, scouring pads, scrub sponges, steel wool or anything similar.

Some surfaces such as nickel and pewter may be affected by the dye found in some cloths, so it is also important to avoid hanging cloths on spouts.

## Notes

Please use this space for any notes you or your installer may have regarding the installation/plumbing of this product.

At Bristan, we want to make things as easy as possible for our customers. That's why we offer solid guarantees on all our products, effective from the date of purchase, to give you peace of mind.

To start your free guarantee simply scan the QR code and register your product. Alternatively visit [www.bristan.com/register](http://www.bristan.com/register) to register your product via a computer.

For full guarantee terms and conditions visit [www.bristan.com/guarantees](http://www.bristan.com/guarantees).