

# COB SHCDIV C

## COBALT Shower Range Cobalt Recessed Dual Control Shower Valve with Two outlet Diverter



### Features:

- 15mm inlet connections
- This shower valve has been designed to fit in any UK wall cavity and therefore only needs a 35mm deep cavity space
- Fitting depth including plasterboard and tiles is 60mm - 75mm
- Minimum cold water supply temperature is 4°C
- Maximum hot water supply temperature is 80°C

### Product Certifications:



WRAS Certificate No: 2005901  
WRAS Expiry Date: 31/05/2025

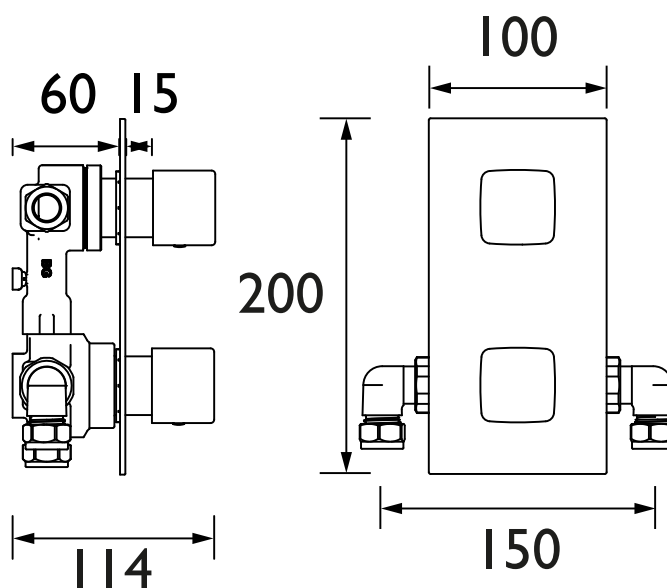
For more products, visit our website:  
<http://www.bristan.com>



### Specification

Finish/Colour:	Chrome Plated
Main Construction Material:	Brass
No of Controls:	2
Shower Type:	Dual Control
Shower Head Type:	None
Shower Kit:	N/A
Valve/Cartridge Type:	Thermostatic Cartridge & Diverter Cartridge
Maximum Hot Water Supply Temperature °C:	65
Plumbing System Suitability:	Suitable for all plumbing systems
Minimum Dynamic Pressure (bar):	0.2
Maximum Dynamic Pressure (bar):	5
Maximum Static Pressure (bar):	10
Connection Inlet:	15mm Compression
Connection Outlet:	15mm Compression
Isolation Valve Included:	No
Check Valve Included:	Yes

### Dimensions (measurements in mm)



### Flow Rates (l/min)

System Pressure (bar)	0.2	0.5	1	2	3	5
Outlet 1 (mixed)	8.6	14.7	20.8	29.4	36.1	46.5
Outlet 2 (mixed)	8.3	13.1	18.5	26.2	32.9	41.4

TECHNICAL  
DATA  
SHEET



**BRISTAN**