

# COB SHC3STP C

## COBALT Shower Range Cobalt Thermostatic Recessed Dual Control Shower Valve with Integral Twin Stopcocks



### Features:

- This shower valve has been designed to fit in any UK wall cavity and therefore only needs a 35mm deep cavity space
- Fitting depth including plasterboard and tiles is 60mm - 75mm
- Requires rear access to service the filters
- Cartridge can be accessed from the front
- Supplied with wall outlet

### Product Certifications:



WRAS Cert. Number: 2007908  
WRAS Expiry Date: 31/08/2025

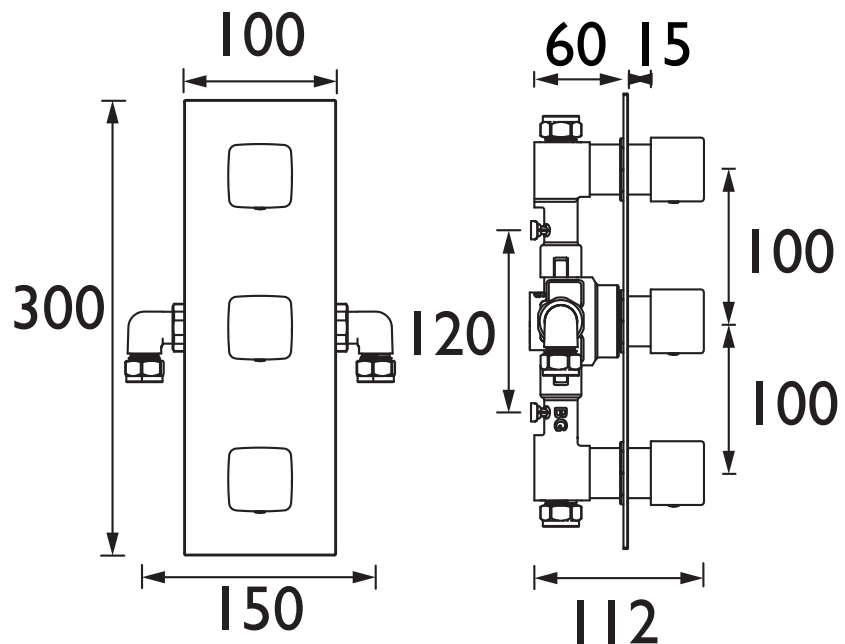
For more products, visit our website:  
<http://www.bristan.com>



### Specification

|  |  |
|--|--|
| Finish/Colour:                           | Chrome   |
| Main Construction Material:              | Brass  |
| No of Controls:                          | 3  |
| Shower Type:                             | Recessed Dual Control                            |
| Shower Head Type:                        | None   |
| Valve/Cartridge Type:                    | Thermostatic Cartridge & 3/4" Ceramic Disc Valve |
| Minimum Dynamic Pressure:                | 0.2 bar  |
| Maximum Dynamic Pressure:                | 5.0 bar  |
| Maximum Static Pressure: (bar)           | 10   |
| Maximum Hot Water Supply Temperature °C: | 65   |
| Pre-set Outlet Temperature °C:           | 42   |
| Plumbing System Suitability:             | Suitable for all plumbing systems                |
| Connection Inlet:                        | 15mm Compression                                 |
| Connection Outlet:                       | 15mm Compression                                 |
| Isolation Valve Included:                | No   |
| Check Valve Included:                    | Yes  |

### Dimensions (measurements in mm)



### Flow Rates (l/min)

| System Pressure (bar) | 0.2 | 0.5  | 1    | 2    | 3    | 5    |
|-----------------------|-----|------|------|------|------|------|
| Outlet 1              | 7.7 | 14.2 | 20.7 | 29.3 | 35.9 | 46.3 |
| Outlet 2              | 7.3 | 14   | 20.8 | 29.4 | 36   | 46.5 |

TECHNICAL  
DATA  
SHEET



**BRISTAN**

D7