

EV KIT-EEVK C

Accessories Multi-Function Extended Slide Bar Shower Kit Chrome



Features:

- Extended 910mm slide rail
- Extended 1.75m hose
- Multi-function (3 spray settings), rub clean, anti-limescale handset
- Push button slider mechanism
- Soap tray with integral closed loop hose retainer

Product Certifications:



WRAS Certificate No: 1801061
WRAS Expiry Date: 31/01/2023

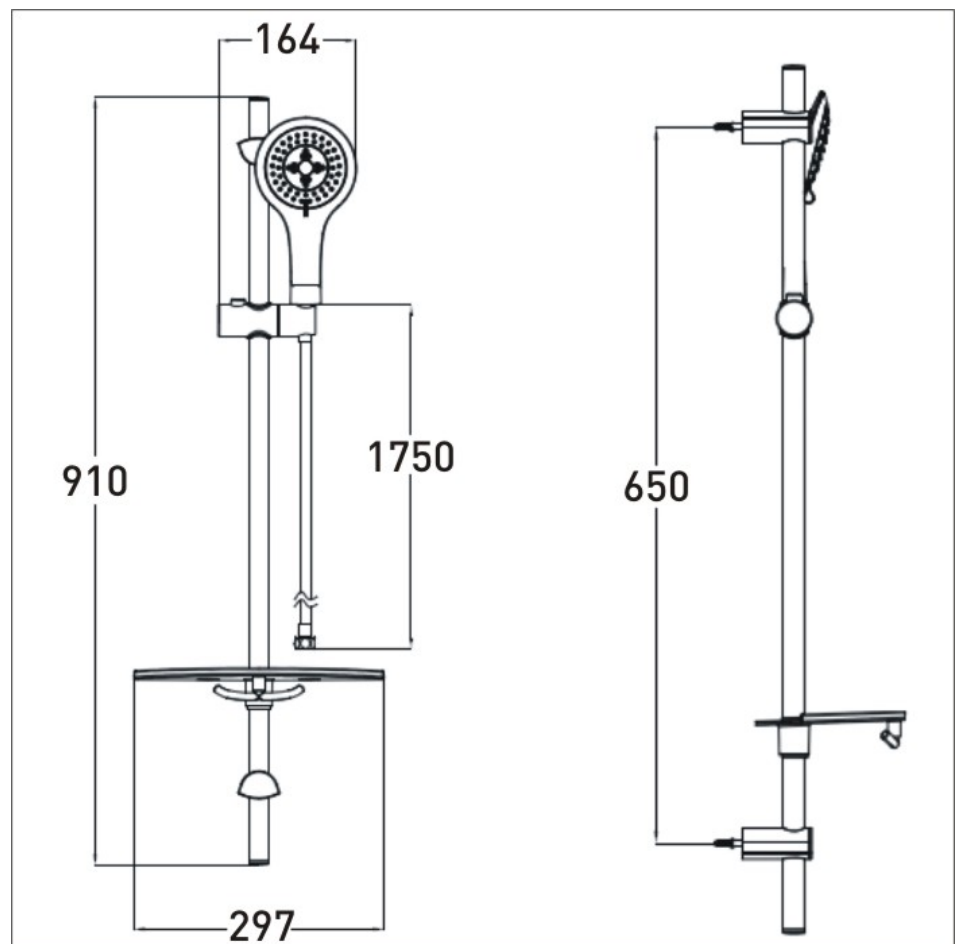
For more products, visit our website:
<http://www.bristan.com>



Specification

| | |
|------------------------------|--------------|
| Main Construction Material: | Plastic |
| Adjustable Bracket: | Yes |
| Connection Inlet: | G 1/2" |
| Connection Outlet: | G 1/2" |
| Contemporary or Traditional: | Contemporary |
| Left or Right Handed: | Both |
| Riser Length: (mm) | 910 |
| Rub Clean Handset: | Yes |

Dimensions (measurements in mm)



TECHNICAL DATA SHEET



BRISTAN

D5