

DESCENT SHWR PK2

DESCENT Shower Range

Descent Shower Pack 2 Complete



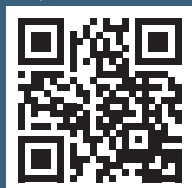
Features:

- This chunky shower pack contains our Descent shower valve with integral two outlet diverter. It has a 250mm square slimline fixed head with shower arm; a single function handset and hose with integral handset holder and wall outlet.
- The shower valve has been designed to fit in any UK wall cavity and therefore only needs a 35mm deep cavity space
- Dual control - flow and temperature are controlled separately
- Fully serviceable from the front
- 15mm inlet connections

Product Certifications:



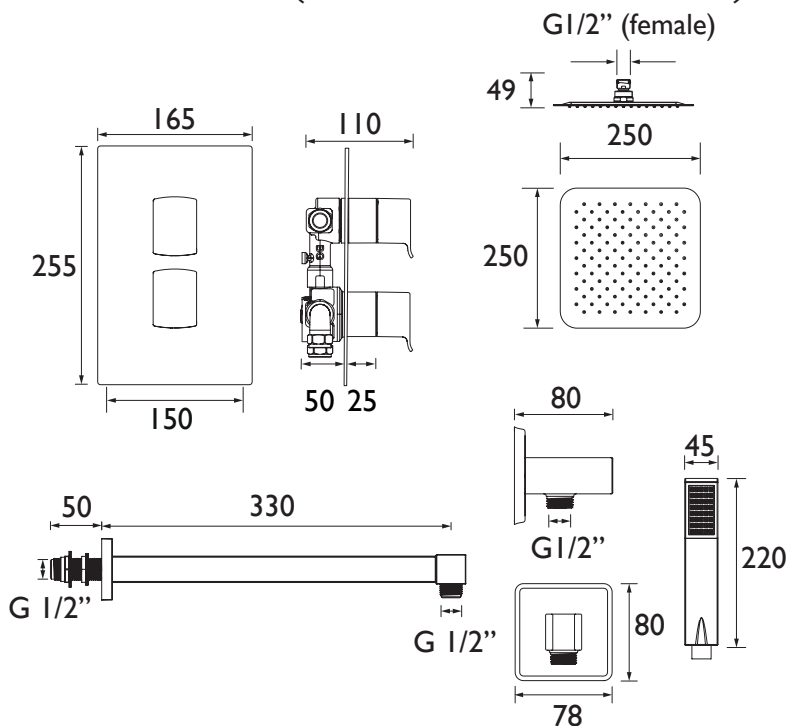
For more products, visit our website:
<http://www.bristan.com>



Specification

Finish/Colour:	Chrome Plated
Main Construction Material:	Brass; ABS
No of Controls:	2
Shower Type:	Dual Control
Shower Head Type:	Both
Shower Kit:	Fixed Head
Valve/Cartridge Type:	40mm Cartridge
Maximum Hot Water Supply Temperature °C:	65
Plumbing System Suitability:	Suitable for all plumbing systems
Minimum Dynamic Pressure (bar):	0.2
Maximum Dynamic Pressure (bar):	5
Maximum Static Pressure (bar):	10
Connection Inlet:	15mm Compression
Connection Outlet:	G 1/2"
Isolation Valve Included:	No
Check Valve Included:	Yes

Dimensions (measurements in mm)



Flow Rates (l/min)

System Pressure (bar)	0.2	0.5	1	2	3	5
Through Handset (mixed)	2.1	3.3	4.7	6.6	8.1	10.5
Through Fixed Head (mixed)	2.2	3.5	5	7	8.6	11.1

TECHNICAL DATA SHEET



BRISTAN