

DUL SNK EF C

DU LEVER Tap Range

Design Utility Lever Easyfit
Mono Sink Mixer Chrome



Features:

- Long life and easy to use 1/4 turn ceramic disc valves
- Metal fixing nut for added durability
- Easyfit base included
- Flexible tails included

Product Certifications:



WRAS Certificate No: 2012902
WRAS Expiry Date: 31/12/2025



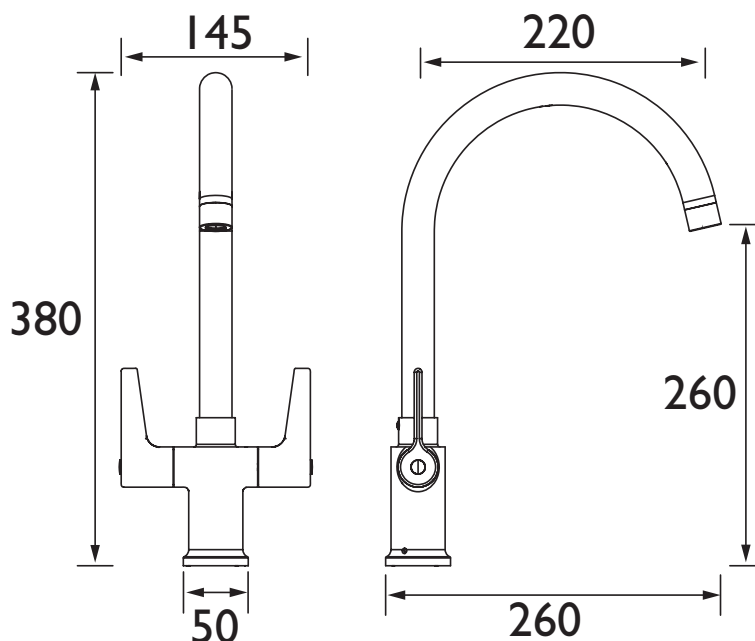
For more products, visit our website:
<http://www.bristan.com>



Specification

| | |
|-----------------------------------|-----------------------------------|
| Product Type: | Kitchen Taps |
| Main Construction Material: | Brass |
| Mount Type: | Deck Mounted |
| Handle Type: | Lever Handles |
| Connection Inlet: | 1/2" BSP Flexible Tails |
| Connection Outlet: | Flow Straightener |
| Number of Tap Holes: | 1 |
| Valve/Cartridge Type: | 1/2" Ceramic Disc Valve |
| Plumbing System Requirements: | Suitable for all plumbing systems |
| Minimum Dynamic Pressure (bar): | 0.4 bar |
| Maximum Dynamic Pressure (bar): | 5.0 bar |
| Maximum Hot Water Temperature °C: | 65°C |
| Maximum Static Pressure (bar): | 10 bar |
| Flow Type: | Single Flow |
| Isolation Included: | Yes |

Dimensions (measurements in mm)



Flow Rates (l/min)

| System Pressure (bar) | 0.4 | 0.5 | 1 | 2 | 3 | 5 |
|-----------------------|------|------|------|------|------|------|
| DUL SNK EF C (mixed) | 13.3 | 14.9 | 21.1 | 29.8 | 36.5 | 47.1 |

TECHNICAL
DATA
SHEET



BRISTAN