

GLL RAPSNK3 SF C

GALLERY Tap Range Gallery Rapid Boiling 3in1 ScaleFilter Sink Mixer Chrome



Features:

- Everything you need: Tap, tails, tank, pressure reducing valve and filter included
- Safety: Handle requires button to be pushed before turning to dispense boiling water
- Safe to touch spout: Boiling water is stored in the tank not in the tap reducing the risk of scalding
- Quality: Hard wearing, flawless finish that lasts
- Pure water: Supplied filter cartridge has been specifically designed to reduce water hardness using a 5 stage filter process to prolong the life of your tank

Product Certifications:



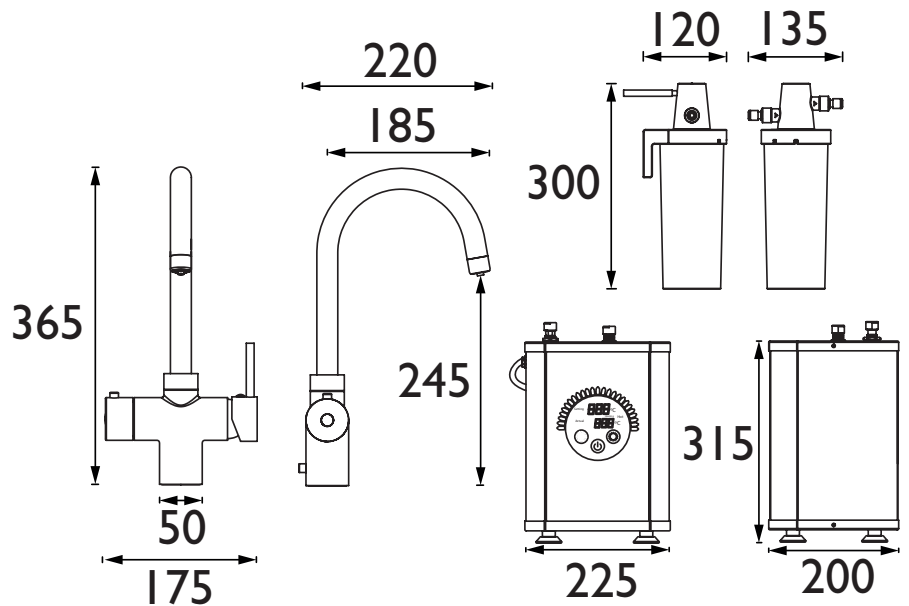
For more products, visit our website:
<http://www.bristan.com>



Specification

Product Type:	Boiling Water Tap
Main Construction Material:	Brass; ABS
Mount Type:	Deck
Handle Type:	Round
Connection Inlet:	1/2" BSP Flexible Tails
Number of Tap Holes:	1
Tank Capacity:	2.4 litres
Temperature Settings:	7 Settings; Min: 75°C Max: 98°C
Plumbing System Requirements:	Suitable for high pressure systems
Minimum Dynamic Pressure (bar):	1.5 bar
Maximum Dynamic Pressure (bar):	3 bar
Maximum Hot Water Temperature °C:	65°C
Maximum Static Pressure: (bar)	3
Flow Type:	Dual
Isolation Included:	No
Power Rating:	1.4-1.5kW
Electrical Supply Requirements:	230-240V AC, 50Hz, IPX4 Protection

Dimensions (measurements in mm)



Flow Rates (l/min)

System Pressure (bar)	1.5	2	3
GLL RAPSNK3 SF C (Mixed)	6.8	7.8	9.6
GLL RAPSNK3 SF C (Boiling Water)	2	2	2

TECHNICAL
DATA
SHEET



BRISTAN