

MINI2 TS1203 CL C

COMMERCIAL Shower Range MINI TS1203 CL Shower Valve Chrome



Features:

- Single sequential control
- Anti-vandal stainless steel concealing plate
- Check valves and servicable filters as standard
- Inlet centres of 99mm +/- 1mm
- Chrome plated to BS EN 248

Product Certifications:



WRAS Certificate No: 1904904
WRAS Expiry Date: 30/04/2024

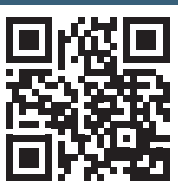


TMV2 Cert. Number: NSF2126/0619
TMV2 Expiry Date: 13/06/2024



TMV3 Cert Number: NSF2125/0619
TMV3 Expiry Date: 13/06/2024

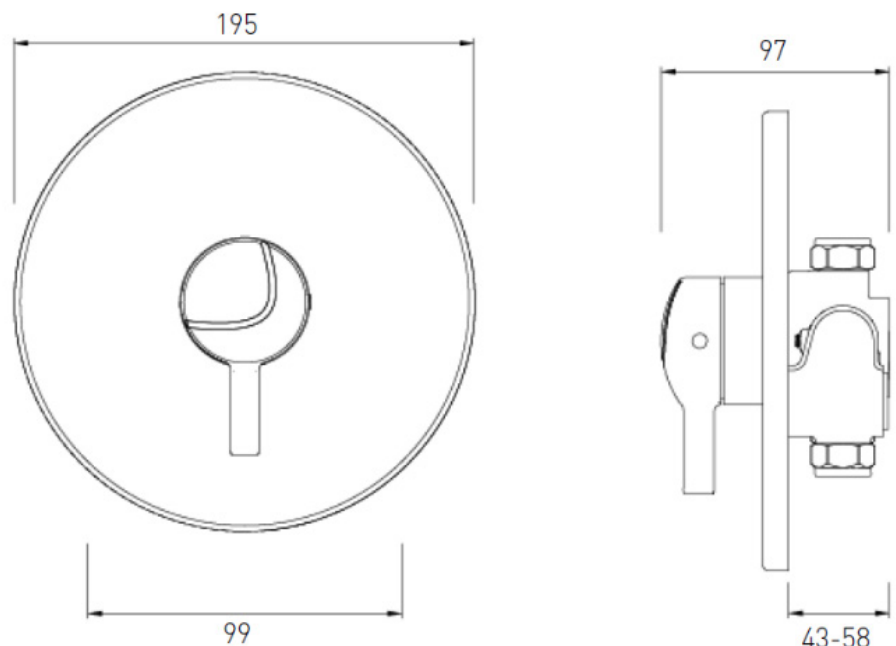
For more products, visit our website:
<http://www.bristan.com>



Specification

Style:	Contemporary
Finish/Colour:	Chrome
Main Construction Material:	Brass
No of Controls:	1
Shower Type:	Concealed
Valve/Cartridge Type:	Thermostatic
Maximum Hot Water Supply Temperature °C:	80
Dynamic Pressure Range: (bar)	5
Maximum Static Pressure: (bar)	10
Plumbing System Suitability:	All, preferably balanced
Flow Type:	Single
Flow Rate (Open Outlet)	31.7
Connection Inlet:	1/2" BSP
Connection Outlet:	1/2" BSP
Isolation Valve Included:	No
Check Valve Included:	Yes

Dimensions (measurements in mm)



Flow Rates (l/min)

System Pressure (bar)	0.2	0.5	1	2	3	5
Through Handset (mixed)	11	20	7.8	8.8	9.1	9.3

TECHNICAL
DATA
SHEET



BRISTAN

D5