

OP TS1503 SCL C COMMERCIAL Shower Range

Opac Thermostatic Exposed Shower Valve with Chrome Lever and Shroud



Features:

- Single sequential control for both temperature and flow
- ABS protective shroud ensures safe surface temperature
- High performance at pressures as low as 0.2 bar
- Automatic shutoff in the event of hot or cold water supply failure
- Adjustable inlet elbows allow centres between 125mm - 132mm

Product Certifications:



Expiry Date : 30/12/2023
Cert Number : 1812703



Cert Number : NSF2014/0718
Expiry Date : 06/07/2023



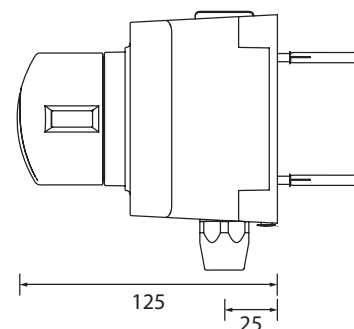
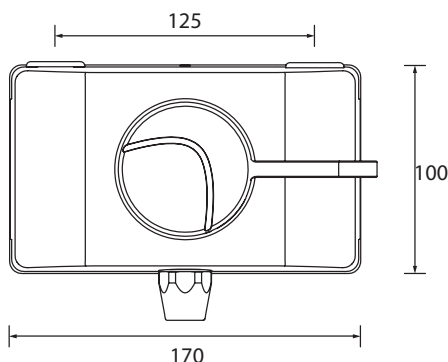
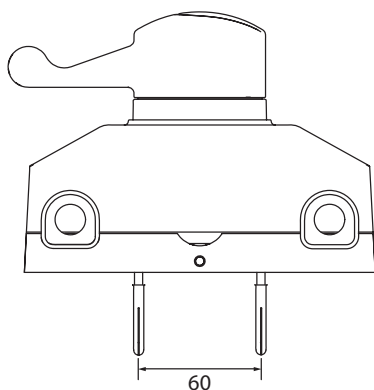
For more products, visit our website:



Specification

Finish/Colour:	Chrome
Main Construction Material:	Brass
No of Controls:	1
Shower Type:	Opac Thermostatci Exposed Shower
Shower Head Type:	N/A
Valve/Cartridge Type:	Thermostatic
Maximum Hot Water Supply Temperature	80
Maximum Static Pressure: (bar)	8
Plumbing System Suitability:	All, Preferably Balanced
Working Pressure Range: bar	0.2-5
Connection Inlet:	15mm Compression Elbows
Connection Outlet:	1/2" BSP
Isolation Valve Included:	No
Check Valve Included:	Yes

Dimensions (measurements in mm)



Flow Rates (l/min)

System Pressure (bar)	0.2	0.5	1	2	3	5
Flow Limiter Fitted	4.6	6.8	7.1	8.1	8.6	9

TECHNICAL
DATA
SHEET



BRISTAN

D5