

OP SHXVO ISOL EL C

OPAC Shower Range Opac SHXVO ISOL EL Valve Only Chrome



Features:

- Cool Touch Shower valve body for ultimate user safety
- Easy installation with self-isolating wallmount 12 fixing kit
- Integral flushing mechanism for easy maintenance

Product Certifications:



WRAS Expiry Date : 31/12/2023
WRAS Cert Number : 1812905



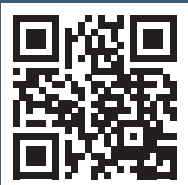
TMV2 Expiry Date : 21/03/2024
TMV2 Cert Number :
NSF2091/0319



TMV3 Expiry Date : 15/02/2024
TMV3 Cert Number :
NSF2092/0219



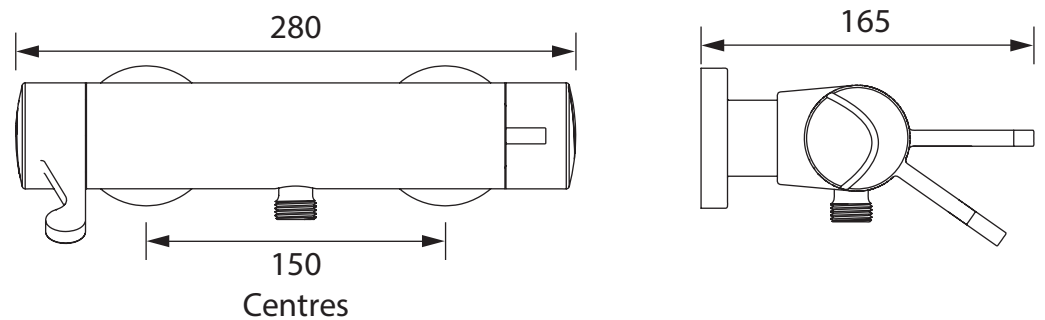
For more products, visit our website:
<http://www.bristan.com>



Specification

Style:	Contemporary
Finish/Colour:	Chrome Plated
Main Construction Material:	Brass
No of Controls:	2
Shower Type:	Bar Shower
Shower Head Type:	None
Valve/Cartridge Type:	Thermostatic Cartridge & 3/4" Ceramic Disc Valve
Maximum Hot Water Supply Temp °C:	80
Maximum Static Pressure: (bar)	10
Plumbing System Suitability:	Suitable for all plumbing systems
Minimum Dynamic Pressure:	0.2 Bar
Maximum Dynamic Pressure:	5.0 Bar
Connection Inlet:	15mm compression
Connection Outlet:	1/2" BSP
Isolation Valve Included:	Yes
Check Valve Included:	Yes
Pre-set Outlet Temperature °C:	41

Dimensions (measurements in mm)



Flow Rates (l/min)

System Pressure (bar)	0.2	0.5	1	2	3	5
Rate of flow (l/min)	5.9	9.4	9.5	11.3	11.8	11.4

TECHNICAL DATA SHEET



BRISTAN

D2