

# BRISTAN

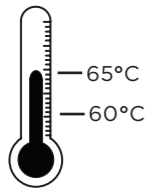
## Installation Instructions & User Guide

Please leave these instructions with the end user

Product code: OR SMBAS C (D7)

### Specifications

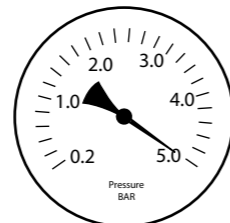
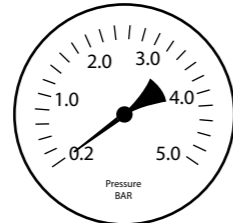
#### Maximum Inlet Temperature



60-65°C Recommended

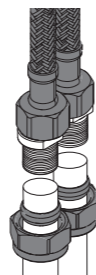
#### Dynamic Water Pressure

Min: 0.2 bar Max: 5.0 bar



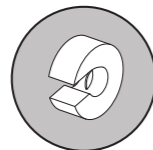
Maximum Static Pressure: 10.0 bar

#### Inlet Connections

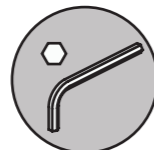


M10x300mm Flexi Tails

### Tools You'll Need



Pipe Slice



Hexagonal Keys



Adjustable Spanner

### Prior to Installation

All products manufactured and supplied by Bristan are safe to use provided that they are installed, operated and receive regular maintenance in accordance with these instructions.

This product needs to be installed in accordance with, and meet the requirements of the Water Supply (Water Fittings) Regulations 1999 and current by-laws. For full Installation Requirements & Notes (IRN) please visit [wras.co.uk/directory](http://wras.co.uk/directory).

Isolation valves must be fitted to the inlet water supplies to ensure ease of future maintenance.

Before installing this product the water supply must be thoroughly flushed in order to remove any swarf, solder etc.

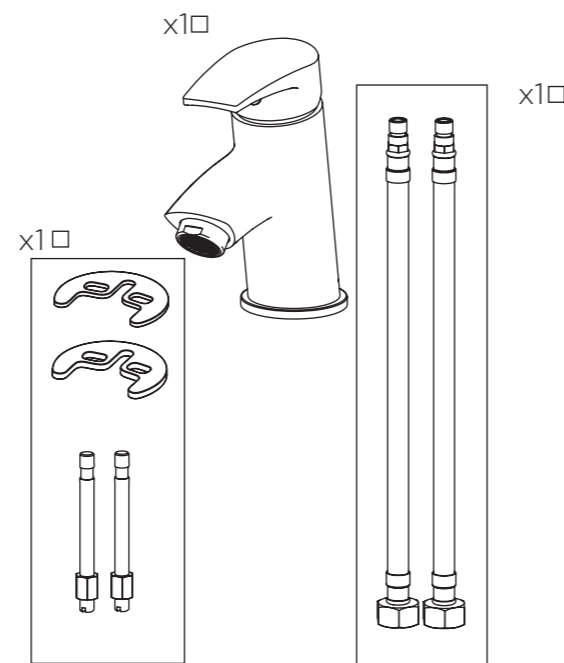
This product must not be modified in any way as this will invalidate the guarantee.

Full access must be made available for future maintenance/servicing purposes.

If in doubt, contact a registered plumber or your Local Water Authority or the Secretary of the Institute of Plumbing, address as follows:-

The Institute of Plumbing,  
64 Station Lane,  
Hornchurch,  
Essex,  
RM12 6NB, Tel: 01708 472791

### Pack Contents



### Spare Parts

To replace any spare parts for your tap, why not scan the QR Code or visit [www.bristan.com](http://www.bristan.com) and search for your product.



### Installation

1

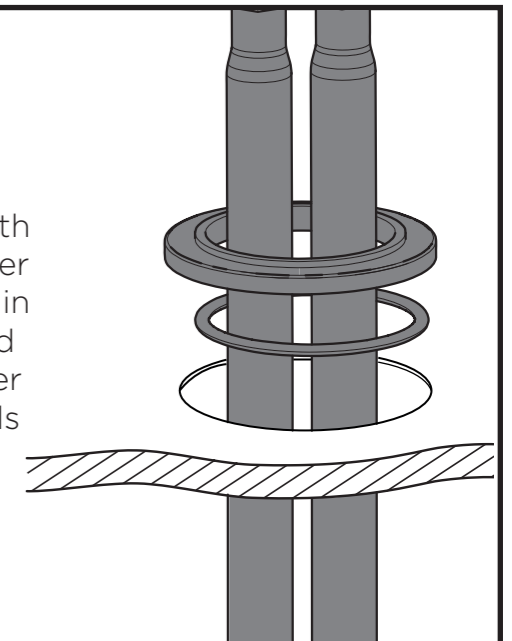


Screw the flexi tails into the bottom of the mixer body by **hand only. (DO NOT OVERTIGHTEN)**

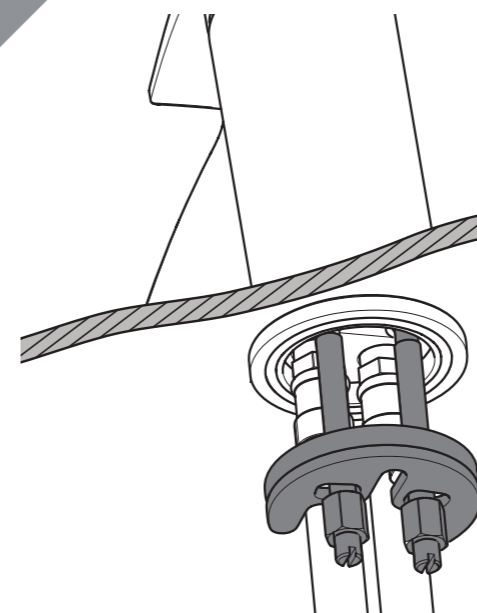
**TIP**  
Prefit mixer to the basin before fitting.

2

Place the plinth and the washer over the hole in the basin and feed the mixer body and tails through.



3

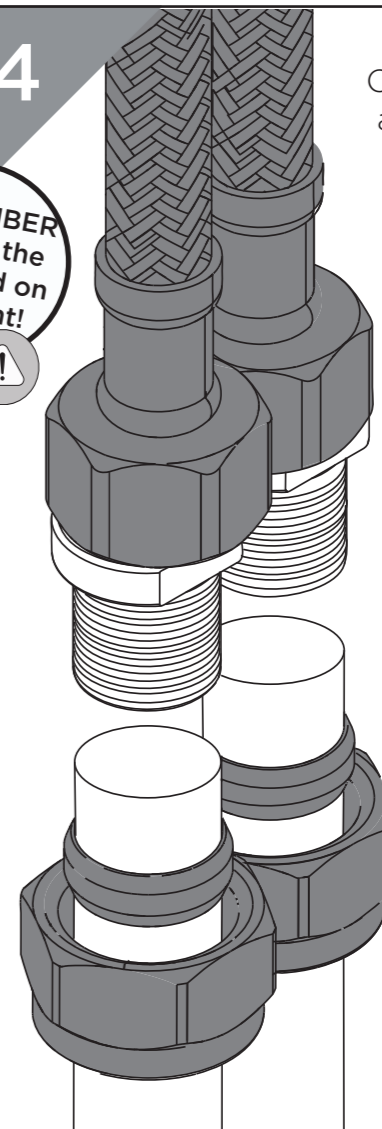


Secure to basin using fixing kit, connect the hot and cold water supplies to the threaded tails.

**REMEMBER**  
Hot on the left, cold on the right!

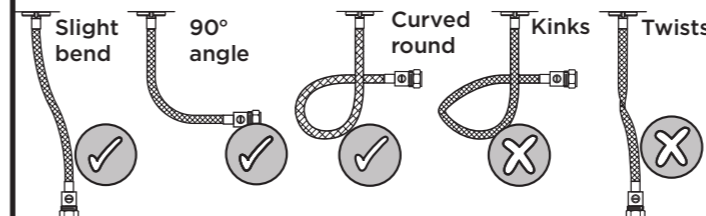
4

Connect the hot and cold water supplies.



**REMEMBER**  
Use flat-faced isolation valves to isolate the water supplies.

### Flexible Tail Positions



### Servicing Your Tap

We recommend servicing your tap at least once every year to prolong its life. To see a video showing how to remove the cartridge for servicing, scan the QR code with your smart phone or tablet.



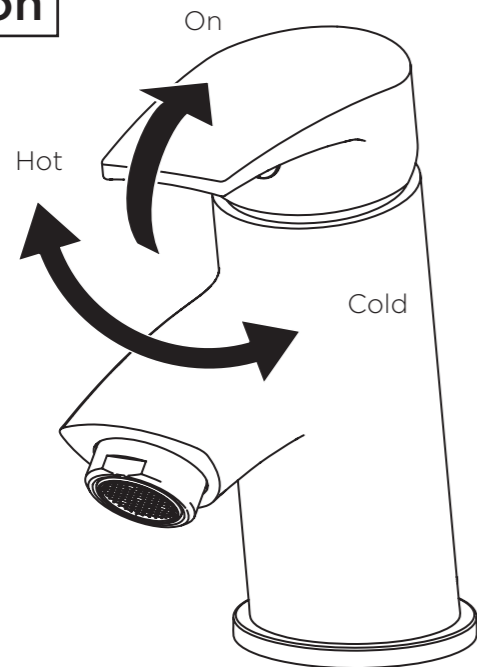
Alternatively visit [www.youtube.com/BristanTV](http://www.youtube.com/BristanTV)

### Love Your Chrome

Bristan offers an effective chrome-friendly cleaning kit for use with your taps and showers. Scan the QR Code or search for 'CLEAN KIT01' on [www.bristan.com](http://www.bristan.com).



## Operation



## General Cleaning

Bristan products are made from premium materials, with hand polishing and electroplated finishes.

Your taps or shower should be regularly cleaned with warm water, a mild pH-neutral liquid soap, and polished with a soft cloth. Any residues from soap, toothpaste, shampoos and shower gels can cause blemishes if not rinsed off straight after use.

Household bleaches and cleaners contain harsh chemicals and may damage the surface finish. Avoid using abrasive cloths, scouring pads, scrub sponges, steel wool or anything similar.

Some surfaces such as nickel and pewter may be affected by the dye found in some cloths, so it is also important to avoid hanging cloths on spouts.

## Troubleshooting

Symptom	Cause	Remedy
No flow or low flow rate	Partially closed isolation valve.	Open isolation valve.
	Instantaneous water heater cycles on and off as flow rate or pressure is too low.	Increase water flow rate or pressure through system.
	Head of water is below the minimum distance required.	Refer to specification for minimum distance required.
	Hot or cold water being drawn off elsewhere causing pressure changes or instantaneous boiler temperature changes.	Do not use other water outlets when using the taps.
Water dripping from taps	Airlock or partial blockage in the supply pipework.	Flush through pipework to ensure removal of debris and any airlocks.
	This is normal for a short time after using the taps.	This is caused by residual water tension, the build up of water in the tap body.
Taps do not turn on	If water continues to drip, possibly due to the ceramic disc valves	Remove valves and clean, refer to 'Maintenance' section before starting any maintenance.
	Closed isolation valve.	Open isolation valve.
	Mains water supply turned off.	Turn on mains water supply.

## Maintenance - Clean/Replace Outlet

**1**

**IMPORTANT**  
Isolate the water supply before starting!

Remove the aerator.

**2**

Place aerator parts in a suitable solution and soak until fully de-scaled.

**3**

Reverse the maintenance steps to replace the aerator.

## Maintenance - Cartridge Cleaning

**1**

**IMPORTANT**  
Isolate the water supply before starting!

Remove handle cap and loosen the handle grub screw. Remove handle.

**2**

Remove shroud, retaining nut and cartridge.

**3**

Place cartridge in a suitable solution and soak until fully de-scaled.

**4**

Reverse the maintenance steps to replace the handle.

## Notes

Please use this space for any notes you or your installer may have regarding the installation/plumbing of this product.

At Bristan, we want to make things as easy as possible for our customers. That's why we offer solid guarantees on all our products, effective from the date of purchase, to give you peace of mind.

To start your free guarantee simply scan the QR code and register your product. Alternatively visit [www.bristan.com/register](http://www.bristan.com/register) to register your product via a computer.

For full guarantee terms and conditions visit [www.bristan.com/guarantees](http://www.bristan.com/guarantees).



*We Know & We Care*