

# FH SLRD02 C

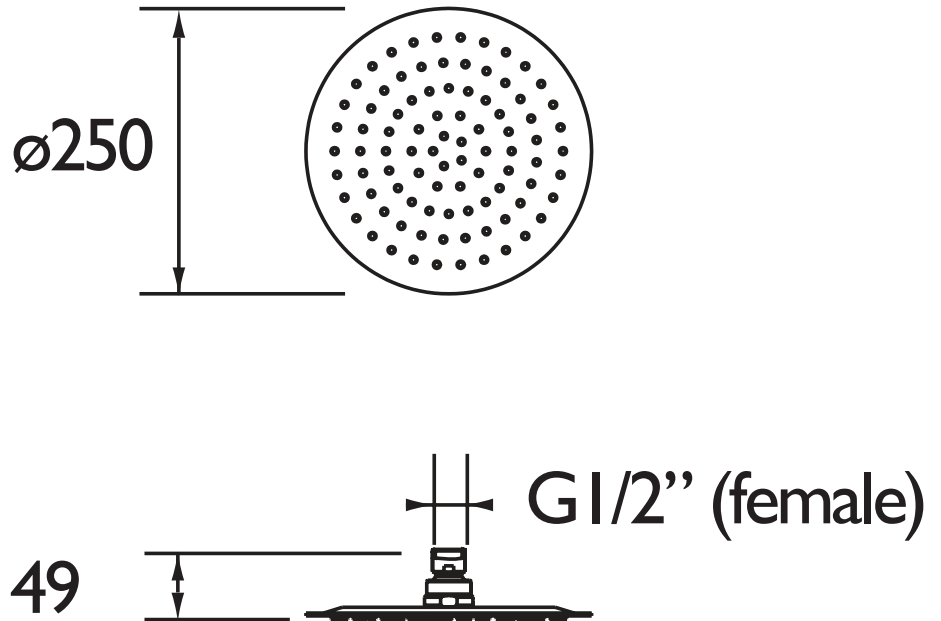
## Accessories Stainless Steel Slimline 250mm Round Fixed Head



### Specification

|                              |                 |
|------------------------------|-----------------|
| Main Construction Material:  | Stainless Steel |
| Connection Inlet:            | G1/2"           |
| Connection Outlet:           | N/A             |
| Contemporary or Traditional: | Contemporary    |
| Left or Right Handed:        | N/A             |
| Rub Clean Handset:           | Yes             |

### Dimensions (measurements in mm)



### Features:

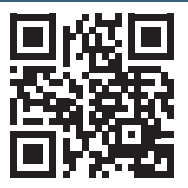
- Supplied with swivel joint

### Product Certifications:



WRAS Certificate No: 2007910  
WRAS Expiry Date: 31/07/2025

For more products, visit our website:  
<http://www.bristan.com>



## TECHNICAL DATA SHEET



# BRISTAN

TAPS & SHOWERS

D3