

# BRISTAN

TAPS & SHOWERS

## Installation Instructions & User Guide

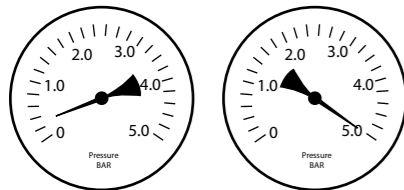
Please leave these instructions with the end user

Product Code: ST SNK EF C (D2)

### Specifications

#### Dynamic Water Pressure

Min: 0.3 bar Max: 5.0 bar



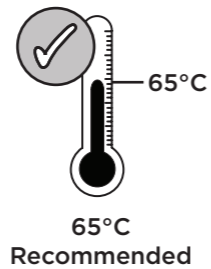
Maximum Static Pressure: 10.0 bar

#### Inlet Water Temperature

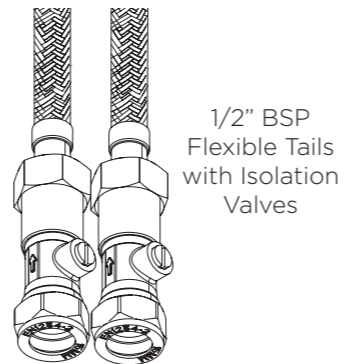
##### Cold Water Supply



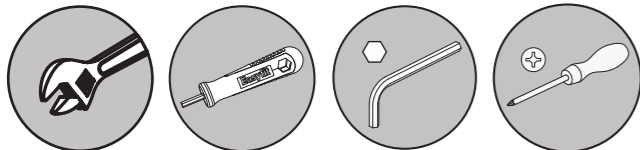
##### Hot Water Supply



#### Inlet Connections



### Tools You'll Need



Adjustable Spanner EasyFit Tool Hexagonal Key Crosshead Screwdriver

### Servicing Your Tap

We recommend servicing your tap at least once every year to prolong its life. To see a video showing how to remove the cartridge for servicing, scan the QR code with your smart phone or tablet.



Alternatively visit [www.youtube.com/BristanTV](http://www.youtube.com/BristanTV)

### Prior to Installation

All products manufactured and supplied by Bristan are safe provided they are installed, used correctly and receive regular maintenance in accordance with these instructions.

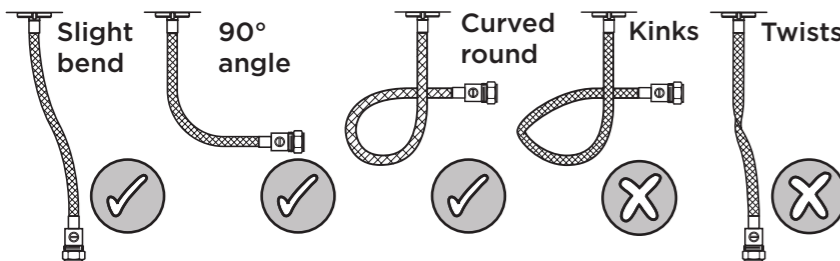
This product has been tested to the Water Regulations Advisory Scheme (WRAS) and satisfies the requirements of the Water Supply (Water Fittings) Regulations 1999 and current bylaws. For full Installation Requirements & Notes (IRN) please visit [wras.co.uk/directory](http://wras.co.uk/directory).

Isolation valves must be fitted to the inlet water supplies to ensure ease of future maintenance.

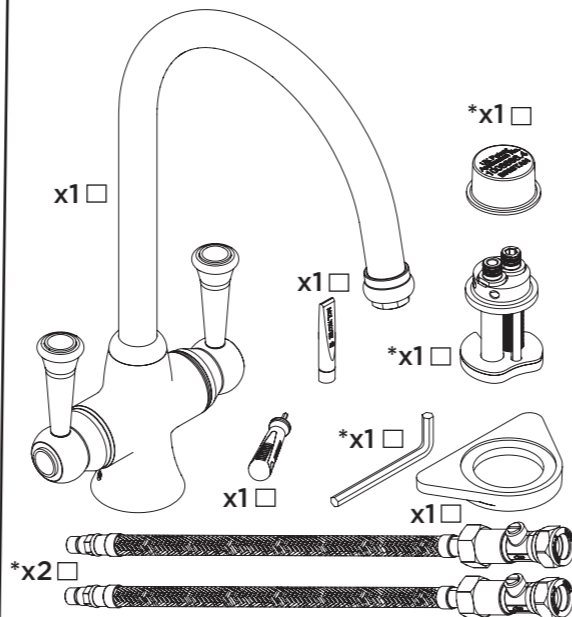
Before installing these taps the water supply must be thoroughly flushed in order to remove any swarf, solder etc.

This product must not be modified in any way as this will invalidate the guarantee.

### Flexible Connecting Pipes



### Pack Contents



\*If you have purchased ST SNK EF C TO, the EasyFit Base (EF KIT PK) will not be included.

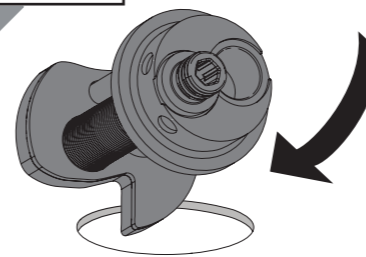
### Spare Parts

To replace any spare parts for your tap, why not scan the QR Code or visit [www.bristan.com](http://www.bristan.com) and search for your product.

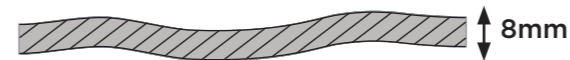


### Installation

1

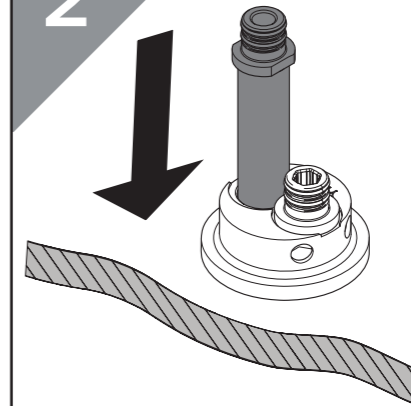


Feed the base through the sink hole from the top.



If the surface the tap is being fitted to is over 8mm; or you feel the tap needs extra stability, follow the **alternative installation steps** overleaf.

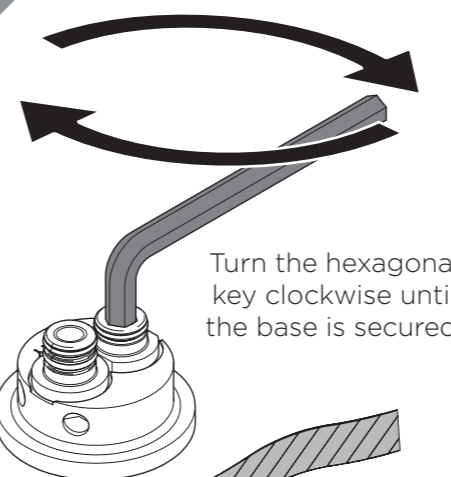
2



**REMEMBER**  
Make sure the base is centralised when viewed from the front of the tap

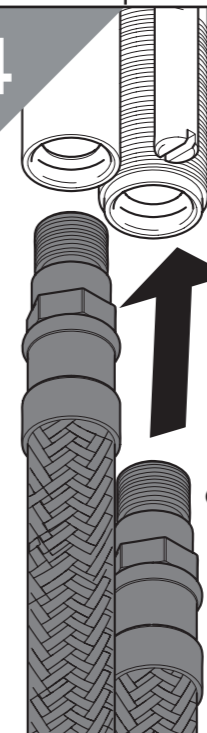
Drop the Plain Inlet Connector into the base.

3



Turn the hexagonal key clockwise until the base is secured.

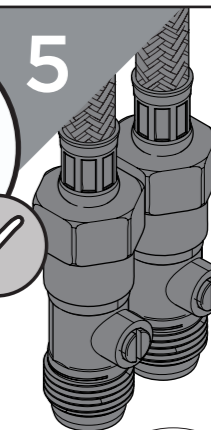
4



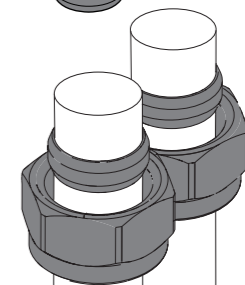
**REMEMBER**  
hot on the left, cold on the right

Screw the flexible tails into the base.

**DO NOT OVER-TIGHTEN**



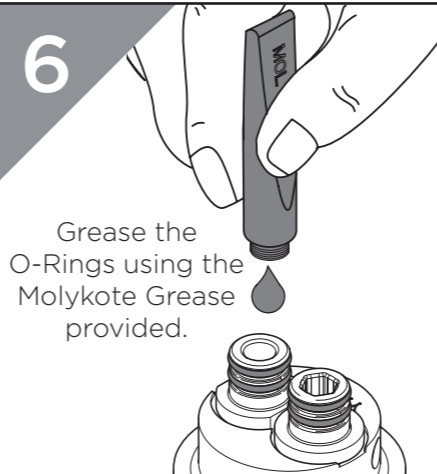
Connect the hot and cold water connections.



Olive

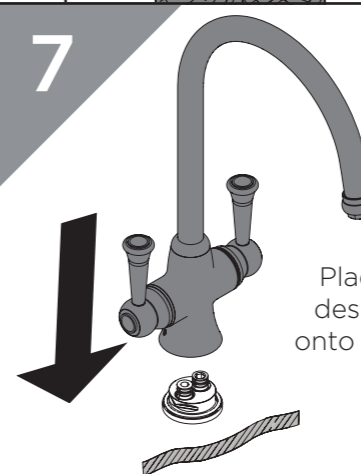
Compression Nut

6



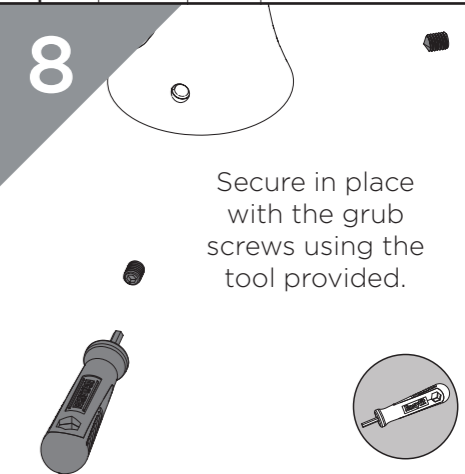
Grease the O-Rings using the Molykote Grease provided.

7



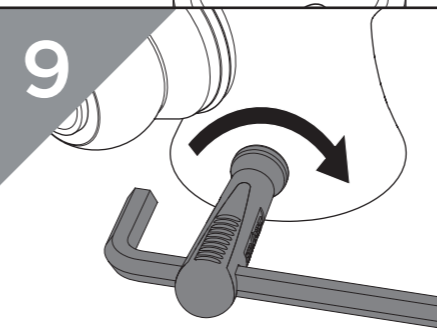
Place your desired tap onto the base.

8

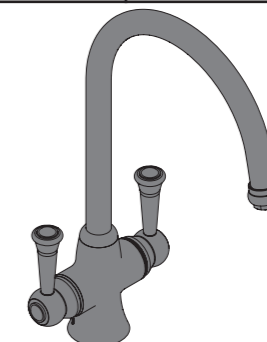
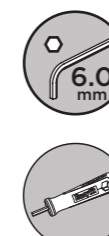


Secure in place with the grub screws using the tool provided.

9



Thread the hexagonal key through the EasyFit tool and tighten the grub screws with an extra 1/2 turn.



Your tap is now ready to use.

## General Cleaning

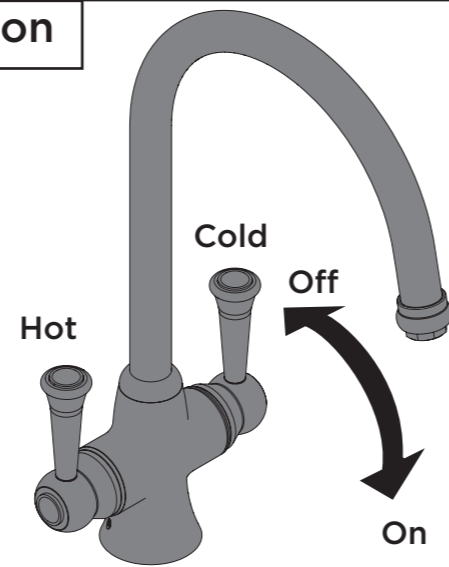
Bristan products are made from premium materials, with hand polishing and electroplated finishes.

Your taps or shower should be regularly cleaned with warm water, a mild pH-neutral liquid soap, and polished with a soft cloth. Any residues from soap, toiletries etc. should be rinsed off straight after use.

Household bleaches and cleaners contain harsh chemicals and may damage the surface finish. Avoid using abrasive cloths, scouring pads, scrub sponges, steel wool or anything similar.

Some surfaces such as nickel and pewter may be affected by the dye found in some cloths, so it is also important to avoid hanging cloths on spouts.

## Operation



## Maintenance - Cleaning/Replacing Cartridge

- Remove cap and grub screw. Remove handles.

**IMPORTANT**  
Isolate the water supply before starting!
- Remove valves.
- Place valves in a suitable solution and soak until fully de-scaled.
- Replace valves.
- Replace the handles.
- Turn on the mains water supply, letting the water flow for a few minutes to flush through the system.

## Alternative Installation for Surfaces Out of Tolerance/Extra Stability

- Turn the hexagonal key anti-clockwise to remove the back nut from the EasyFit Base.
- Feed the base through the sink hole from the top.
- Feed the Reinforcing Plate (if required) and Back nut up to the underside of the sink.

**REMEMBER**  
Make sure the base is centralised when viewed from the front of the tap
- Turn the hexagonal key clockwise to secure the EasyFit Base.
- Proceed to Step 4 of the Installation Steps.

**Love Your Chrome**

Bristan offers an effective chrome-friendly cleaning kit for use with your taps and showers. Scan the QR Code or search for 'CLEAN KIT01' on [www.bristan.com](http://www.bristan.com).

## Troubleshooting

| Symptom                         | Cause(s)  | Remedy   |
|---------------------------------|---|--|
| <b>No flow or low flow rate</b> | Partially closed isolation valve.   | Open isolation valve.  |
|                                 | Instantaneous water heater cycles on and off as flow rate or pressure is too low.                                 | Increase water flow rate or pressure through system.   |
|                                 | Head of water is below the minimum distance required.   | Refer to your the Specification for the minimum working pressure/distance required.  |
|                                 | Hot or cold water being drawn off elsewhere causing pressure changes or instantaneous boiler temperature changes. | Do not use other water outlets when using the taps.  |
|                                 | Airlock or partial blockage in the supply pipework or hoses.  | Flush through pipework to ensure removal of debris and any airlocks.   |
| <b>Water dripping from taps</b> | Water supply failure  | Investigate water supply. Check your plumbing and heating systems for any faults.  |
|                                 | This is normal for a short time after using the taps.   | This is caused by residual water tension, the build up of water in the tap body.   |
| <b>Taps do not turn on</b>      | If water continues to drip, possibly due to the ceramic disc valves/cartridge                                     | Refer to the Maintenance section or visit <a href="http://www.youtube.com/BristanTV">www.youtube.com/BristanTV</a> to watch the procedure. |
|                                 | Closed isolation valve.   | Open isolation valve.  |
| <b>Wobbly Tap</b>               | Mains water supply turned off.  | Turn on mains water supply.  |
|                                 | Grub screws are not tight enough at the base  | Ensure the grub screws are fully tightened against the base  |
|                                 | Extra security may be required depending on the surface the tap is fitted on to.                                  | Refer to the Alternative Installation steps in order to fit the Reinforcing Plate.   |

## Maintenance - Cleaning/Replacing Outlet

- Unscrew the anti-splash.

**IMPORTANT**  
Isolate the water supply before starting!
- Clean and replace anti-splash as necessary. Secure in place.
- Turn on the mains water supply, letting the water flow for a few minutes to flush through the system.

At Bristan, we want to make things as easy as possible for our customers. That's why we offer solid guarantees on all our products, effective from the date of purchase, to give you peace of mind.

To start your free guarantee simply scan the QR code and register your product. Alternatively visit [www.bristan.com/register](http://www.bristan.com/register).

For any other queries, please call our Customer Service on 0330 026 6273 where our expert team of advisors will be able to offer you any help and advice.

For full guarantee terms and conditions visit [www.bristan.com/guarantees](http://www.bristan.com/guarantees).



*We Know & We Care*