



Automatic 2000



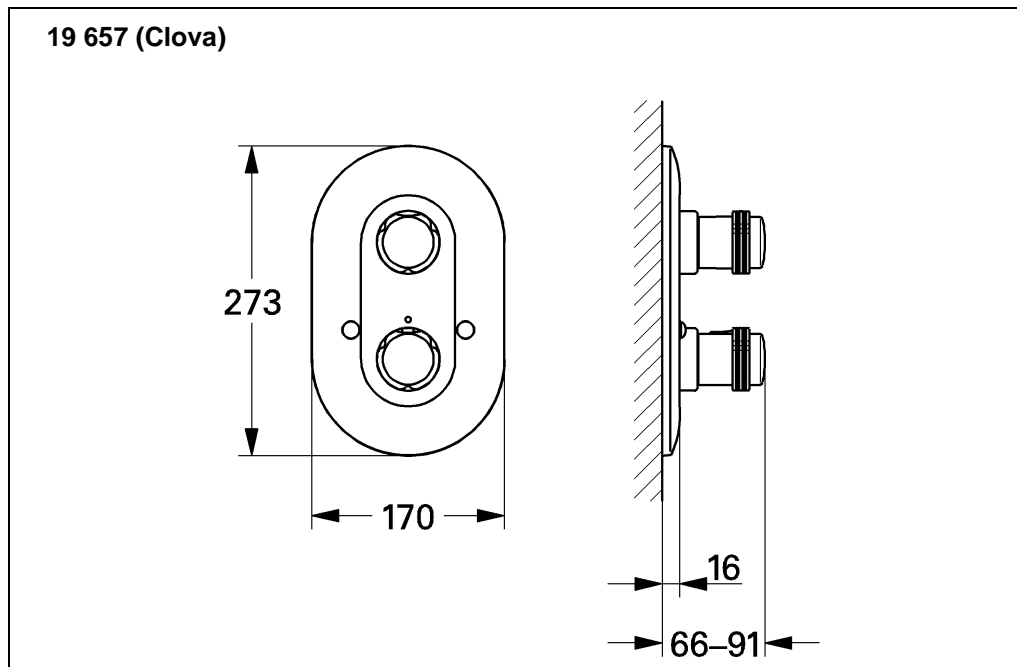
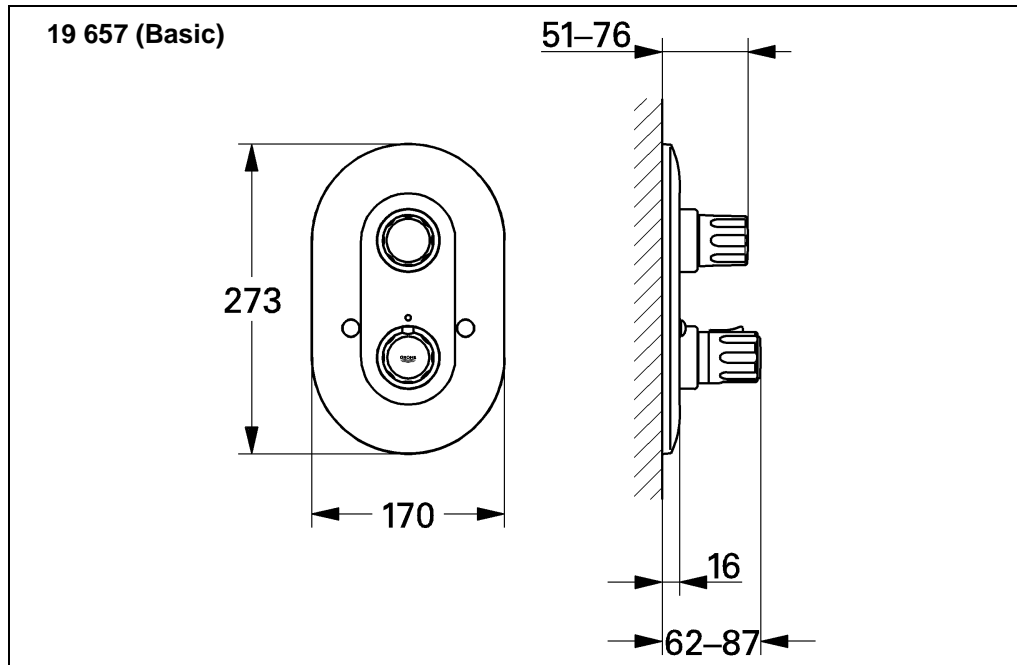
19 657 with Basic Knob



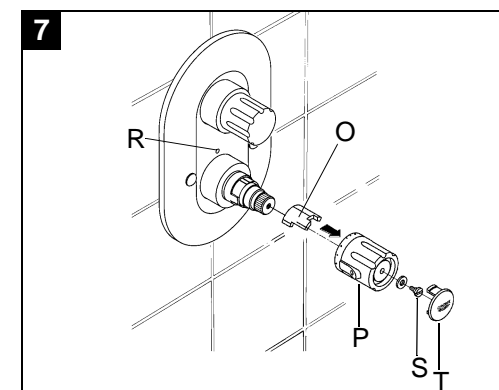
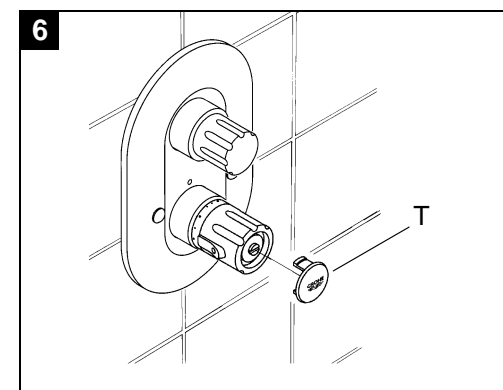
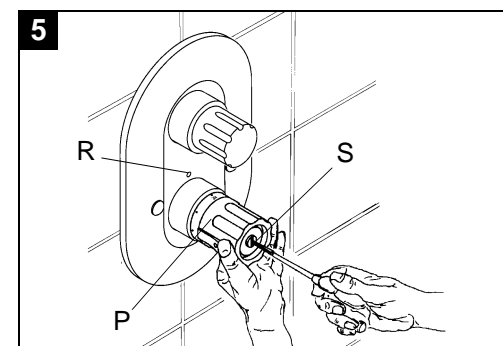
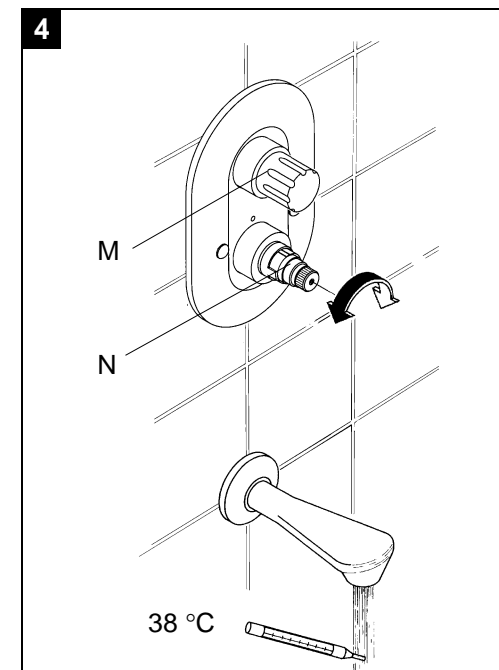
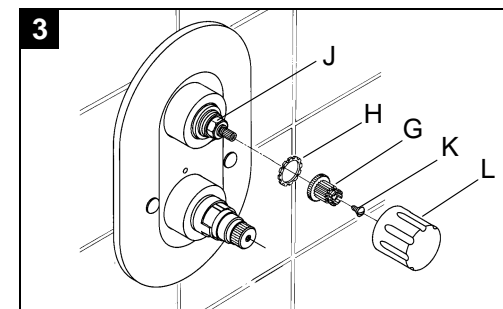
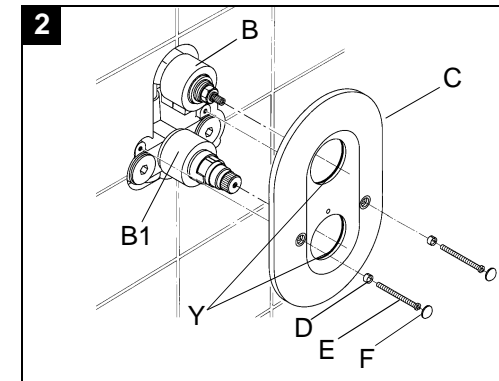
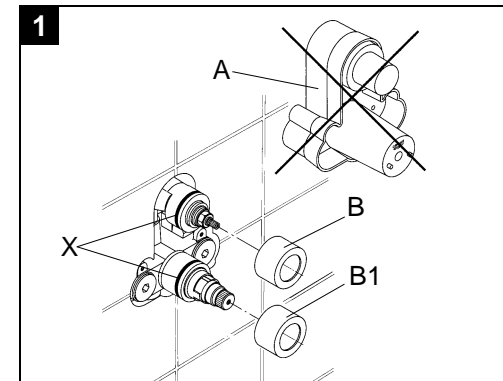
19 657 with Clova Knob

D Seite 1

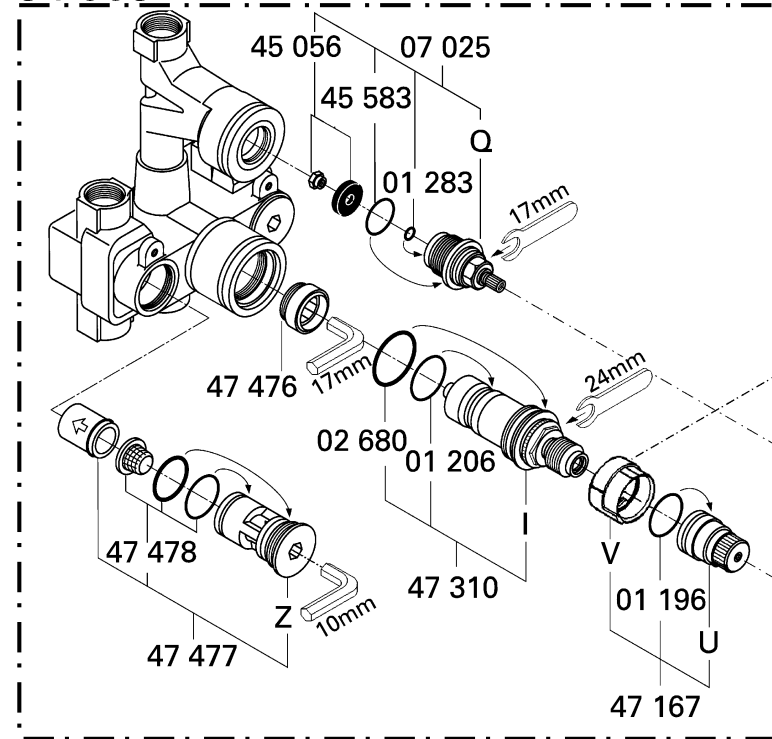
GB Page 2



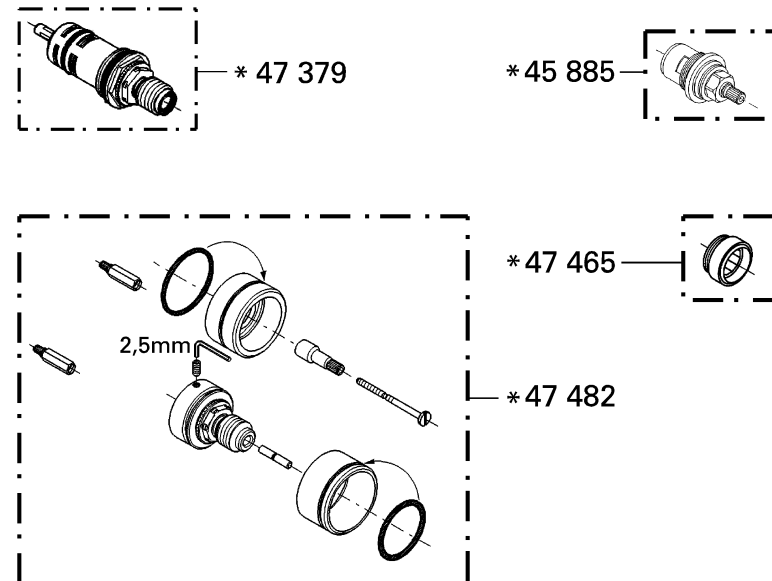
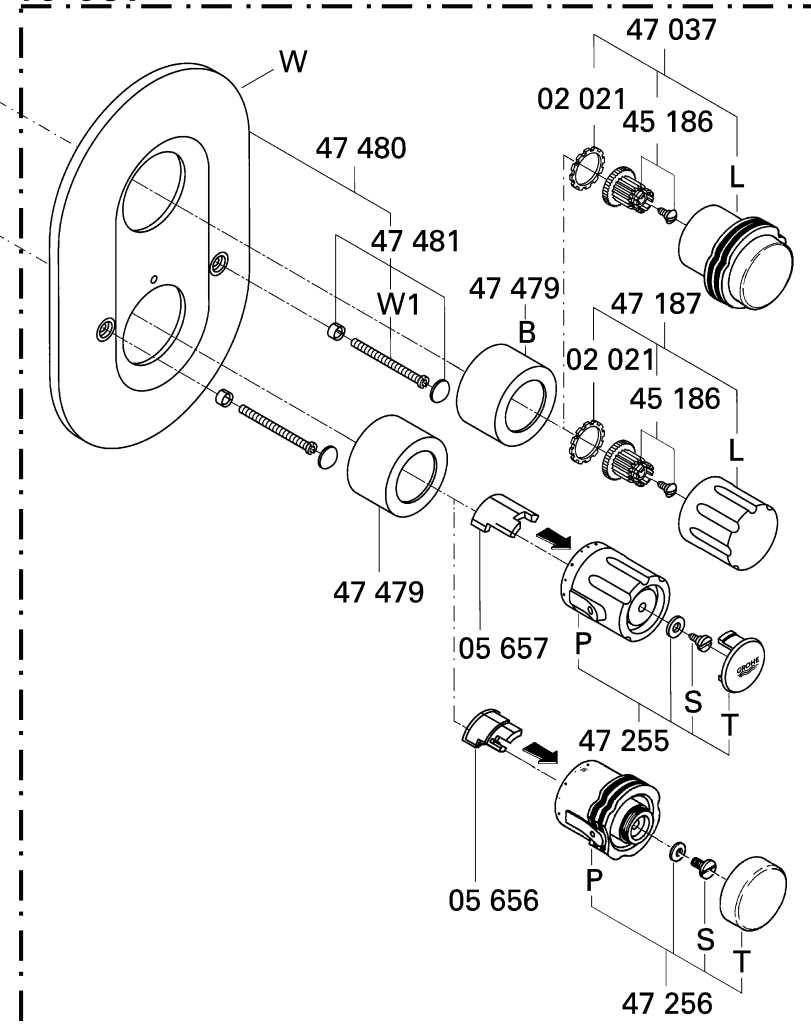
Bitte diese Anleitung an den Benutzer der Armatur weitergeben!
 Please pass these instructions on to the end user of the fitting.
 S.v.p remettre cette instruction à l'utilisateur de la robinetterie!



34 963



19 657



GB**Installation**

- Plaster and tile the wall, excluding the area occupied by the mounting template. Seal any apertures in the wall so that they are watertight to spray water.
 - Tiles laid in mortar should be pointed so that the joint is tapered towards the outside.
 - Seal prefabricated walls with a permanently plastic compound.
- Remove the mounting template (A), see Fig. [1].
- Grease O-rings (X) with the grease provided and slide on the sleeves (B and B1) on the valve shank.

Fit escutcheon and shut-off valve, see Figs. [2] and [3].

1. Grease sealings (Y) overall with the grease provided, see Fig. [3].
2. Slide the wallplate (C) over the sleeves (B and B1).
3. Place snap inserts (D) and tighten wallplate (C) with screws (E).
4. Cover the screws (E) with caps (F).
5. Slide knob insert (G), and guide ring (H) on the headpart (J) and secure with screw (K), see Fig. [3].
6. Push on shut-off knob (L).
7. For assembly of the thermostat knob, see **"Adjustment"** section.

Reversed union (hot on right - cold on left).

Replace thermoelement (I), see replacement parts fold-out page II, ref. No.: 47 379 (3/4").

Adjustment**Installation of the thermostat knob and temperature adjustment**, see Figs. [4] to [7].

- Before the mixer is put into service if the mixed water temperature measured at the point of discharge varies from the specified temperature set on the thermostat.
 - After any maintenance operation on the thermoelement.
1. Open the shut-off valve (M) and check the temperature of the water with a thermometer, see Fig. [4].
 2. Turn the adjusting nut (N) clockwise or anticlockwise until the water temperature reaches 38 °C, see Fig. [4].
 3. Insert limit stop (O) into the thermostat knob (P), see fig. [7].
 4. Install thermostat knob (P) in such a way that the 38 °C mark on the knob coincides with the mark (R) on the escutcheon, then tighten screw (S) securely, see Fig. [5].
 5. Fit or screw cover cap (T) back on, see Fig. [6].

Temperature limitation

The safety stop limits the temperature range to 38 °C. If a higher temperature is desired, the 38 °C stop can be overridden by pressing in the safety stop.

Temperature limit stop

The temperature is limited by a removable limit stop (O) to a maximum temperature of 45 °C, see Fig. [7]. If a higher temperature is desired the limit stop can be removed.

Proceed as follows:

1. Turn thermostat knob (P) to 38 °C position.
2. Pull off or unscrew cover cap (T).
3. Unscrew and remove screw (S).
4. Pull off thermostat knob (P) and remove limit stop (O).
5. Fit thermostat knob (P) in such a way that the 38 °C mark on the knob coincides with the mark (R) on the escutcheon and reinstall screw (S).
6. Fit or screw cover cap (T) back on.

Prevention of frost damage

When the domestic water system is drained, thermostat mixers must be drained separately, since non-return valves are installed in the hot and cold water connections.

The complete thermostat assemblies and non-return valves must be unscrewed and removed.

Maintenance

For maintenance, see fold-out page II.

I. Thermoelement

1. Close cold- and hot water supply.
2. Pull off or unscrew and remove cap (T).
3. Remove screw (S) and pull off thermostat knob (P).
4. Pull off shut-off knob (L).
5. Remove screws (W1) and escutcheon (W).
6. Remove adjusting nut (U).
7. Pull off stop ring (V).
8. With a 24mm open-ended spanner, unscrew and remove thermoelement (I).

Readjustment is necessary after every maintenance operation on the thermoelement (see Adjustment).

II. Non-return valve

1. Proceed as for maintenance of thermoelement, points 1 - 5.
2. Unscrew and remove non-return valve (Z) with 10mm allen key.

III. Headpart

1. Proceed as for maintenance of thermoelement, points 1 - 5.
2. Pull off sleeve (B).
3. With a 17mm open-ended spanner, unscrew and remove headpart (Q).

Inspect and clean all parts, replace if necessary and grease with special valve grease (ref. No. 18 012).

Reassemble in the reverse order.

Use only genuine **Grohe** replacement parts.

Replacement parts, see fold-out page II (* = special accessories).

Care

For directions on the care of this thermostat mixer, please refer to the accompanying Care Instructions.