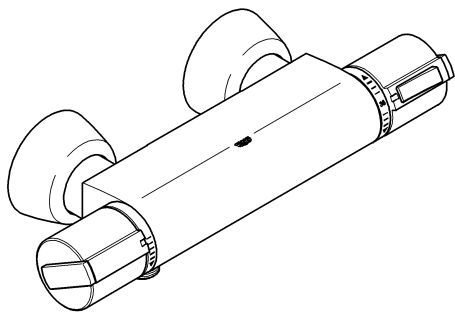
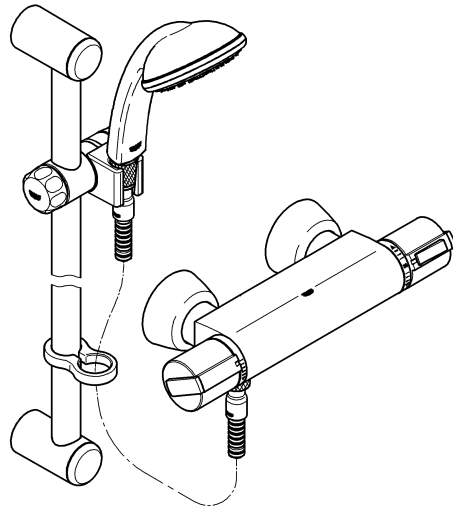


34 216



34 221



Grohtherm 2000

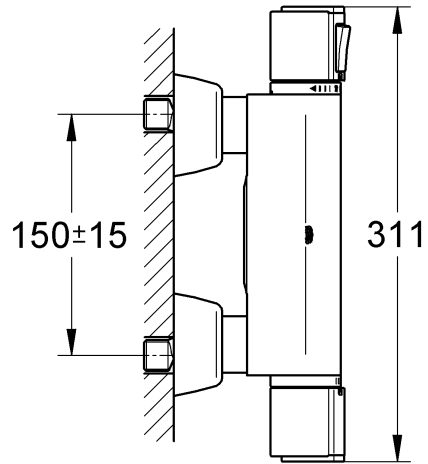
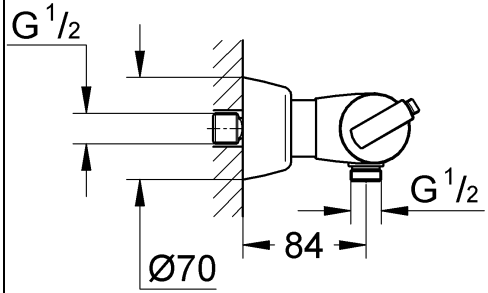
Grohtherm 2000

GB1

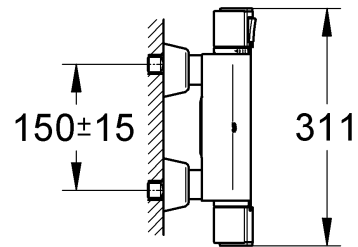
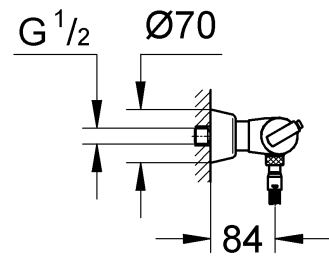
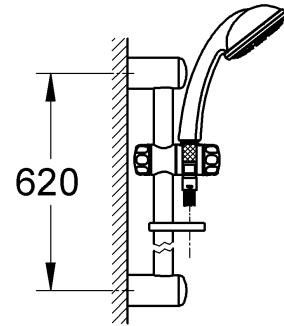
94.821.031/ÄM 204237/08.05

GROHE[®]
~~~~~

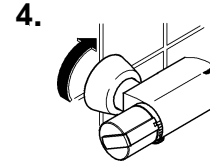
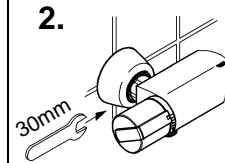
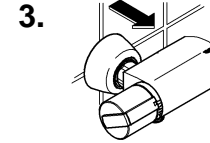
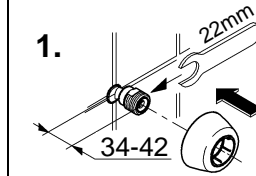
34 216



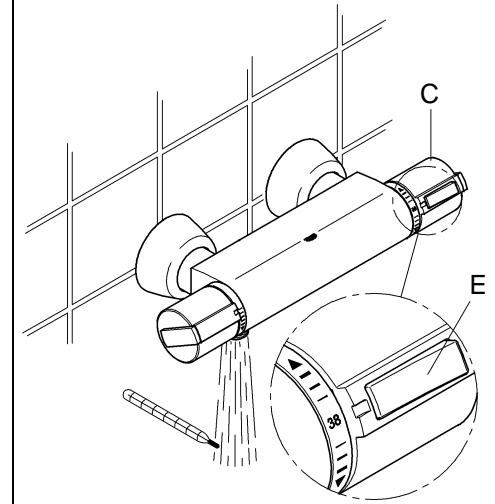
34 221



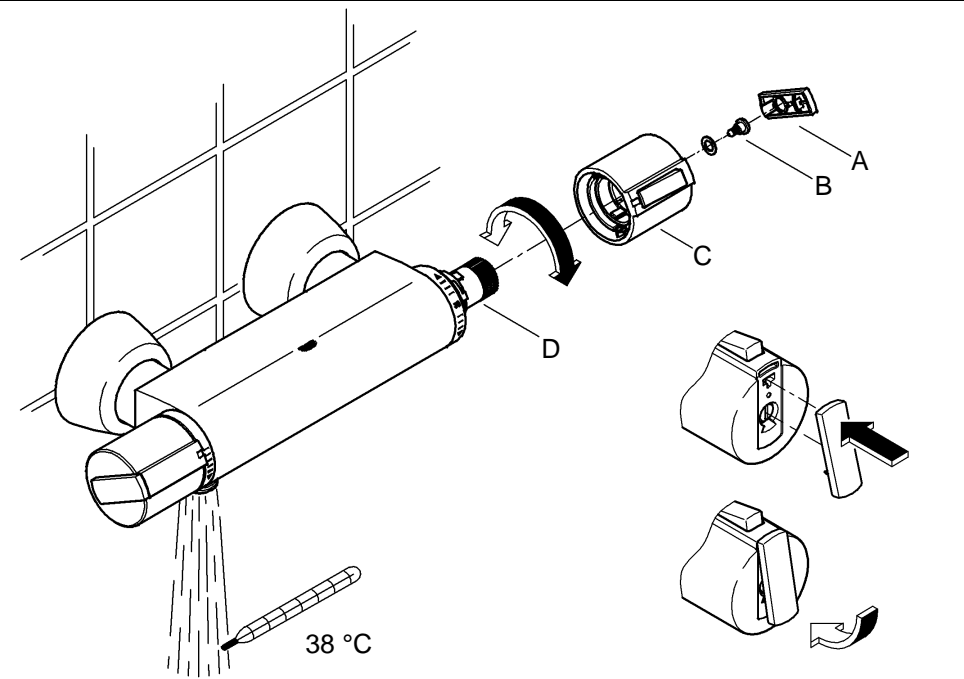
1



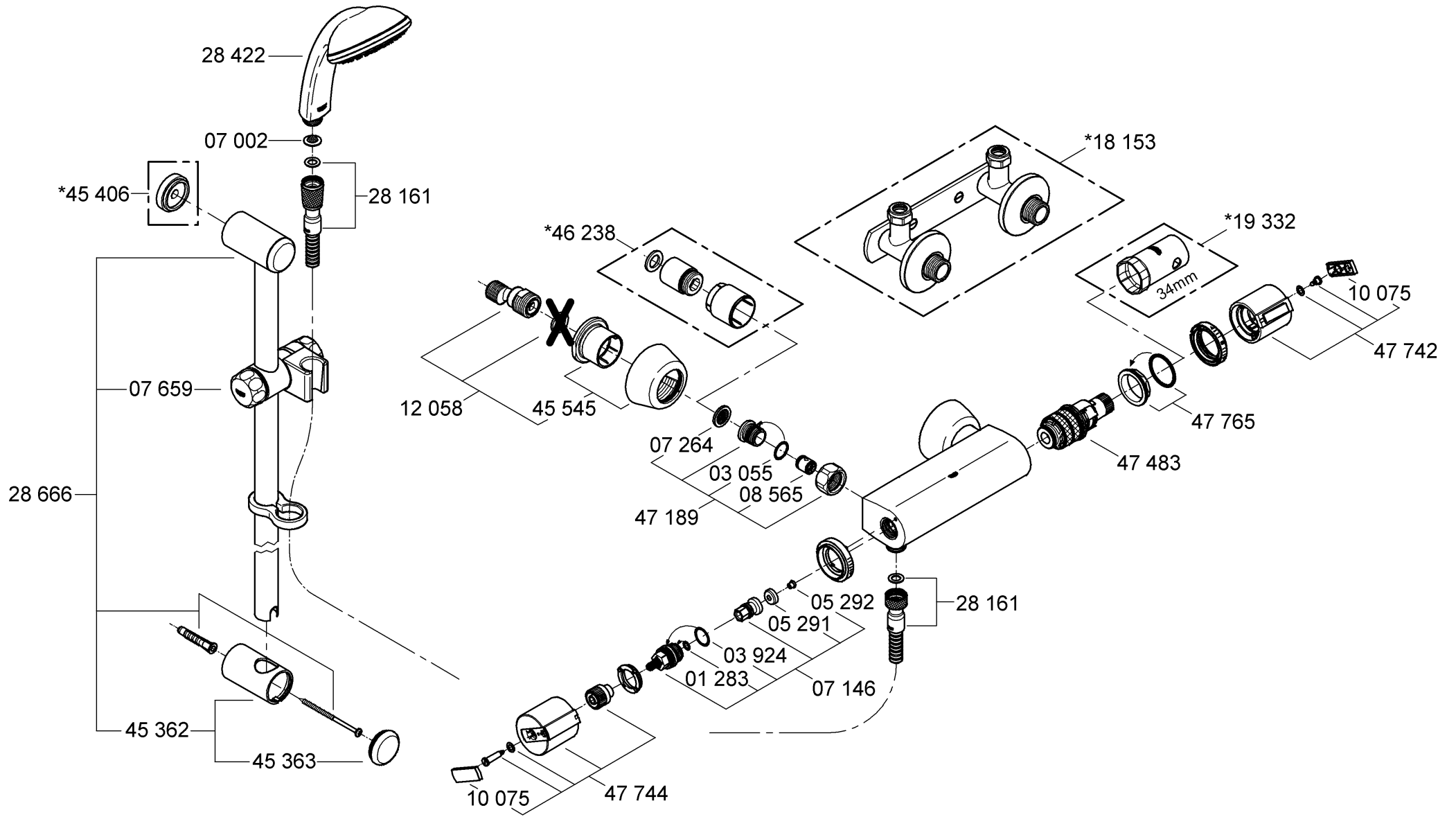
2



3



Please pass these instructions on to the end user of the fitting.





## Application

Thermostat mixers are designed for hot water supply via pressurised storage heaters and, utilised in this way, provide the best temperature accuracy. With sufficient power output (from 18 kW or 250 kcal/min), electric or gas instantaneous heaters are also suitable.

Thermostats **cannot** be used in conjunction with non-pressurised storage heaters (displacement water heaters).

All thermostat mixers are factory set at 38 °C using a flow pressure of 3 bar on both, hot and cold supplies.

**Important:** On installation, each thermostat must be set to 38 °C using the site specific pressure for accurate temperature performance (see **Adjustment**).

## Specifications

- Minimum flow pressure 0.1 bar
- Maximum operating pressure 5 bar
- Test pressure 16 bar
- Flow rate at 0.1 bar flow pressure: approx. 5.5 l/min
- Flow rate at 3 bar flow pressure: approx. 40 l/min
- Maximum difference between cold- and hot water supply pressure: 1: 5
- Maximum water temperature at hot water supply 80 °C
- Recommended maximum flow temperature (for energy saving) 60 °C
- Safety stop 38 °C
- Hot water temperature at supply connection min. 2 °C higher than mixed water temperature
- Cold water connection right
- Hot water connection left
- Minimum flow rate = 5 l/min

If static pressure exceeds 5 bar, a pressure reducing valve must be fitted.

## Installation

### Flush pipes thoroughly

1. Install the S-unions and sleeve, preassembled with the escutcheon, see fold-out page I, Fig. [1].
2. Screw-mount the mixer and check connections for **leakage**.
3. Push the sleeve with escutcheon onto the union nut.
4. Screw the escutcheon flush against the wall.

Refer to the dimensional drawings on fold-out page I.

The projection can be increased by 30mm with an extension (see Replacement Parts, fold-out page II, Prod. no.: 46 238).

For better fixing into dry-lined walls a mounting frame can be used (see Replacement Parts, fold-out page II, Prod. no.: 18 153).

## Adjustment

**Temperature adjustment**, see Figs. [2] and [3].

1. Open the shut-off valve and check the temperature of the water with a thermometer, see Fig. [2].
2. Lever out cap (A), see Fig. [3].
3. Remove screw (B).
4. Detach temperature control handle (C).
5. Turn regulating nut (D) until the water temperature has reached 38 °C.
6. Install temperature control handle (C) so that button (E) points towards the front, see Fig. [2].
7. Screw in screw (B), see Fig. [3].
8. Refit cap (A).

## Temperature limitation

The safety stop limits the temperature range to 38 °C. The 38 °C limit can be overridden by pressing the button (E), see Fig. [2].

## Prevention of frost damage

When the domestic water system is drained, thermostat mixers must be drained separately, since non-return valves are installed in the hot and cold water connections. For this purpose, the mixer must be removed from the wall.

## Maintenance

Inspect and clean all parts, replace if necessary and lubricate with special valve grease (Prod. no. 18 012).

### Shut off the hot and cold water supply.

#### I. Non-return valve (F), see fold-out page III, Fig. [4].

- Remove connection nipple (G) by turning clockwise (left-hand thread) using a 12mm allen key.
- Install in reverse order.

#### II. Thermostatic compact cartridge (H), see fold-out page III, Fig. [5].

- Remove O-ring (J1).
  - Loosen screw ring (J) using a 34mm tool.
  - If necessary, lever out thermostatic compact cartridge (H) via recess (H1).
  - Remove screw ring (J).
- Install in reverse order.

#### Observe the correct installation position of the thermostatic compact cartridge (H) and scale ring (K), see details Fig. [5].

Readjustment is necessary after every maintenance operation on the thermostatic compact cartridge (see Adjusting).

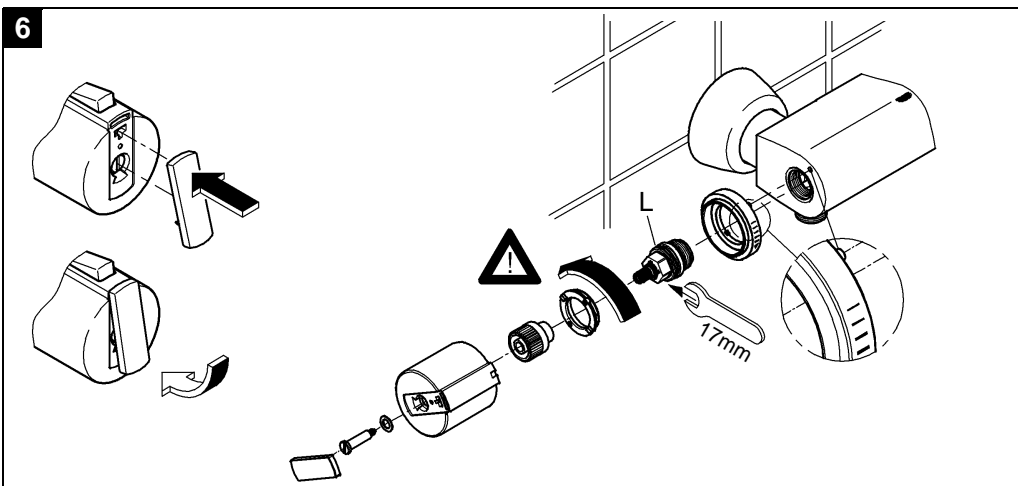
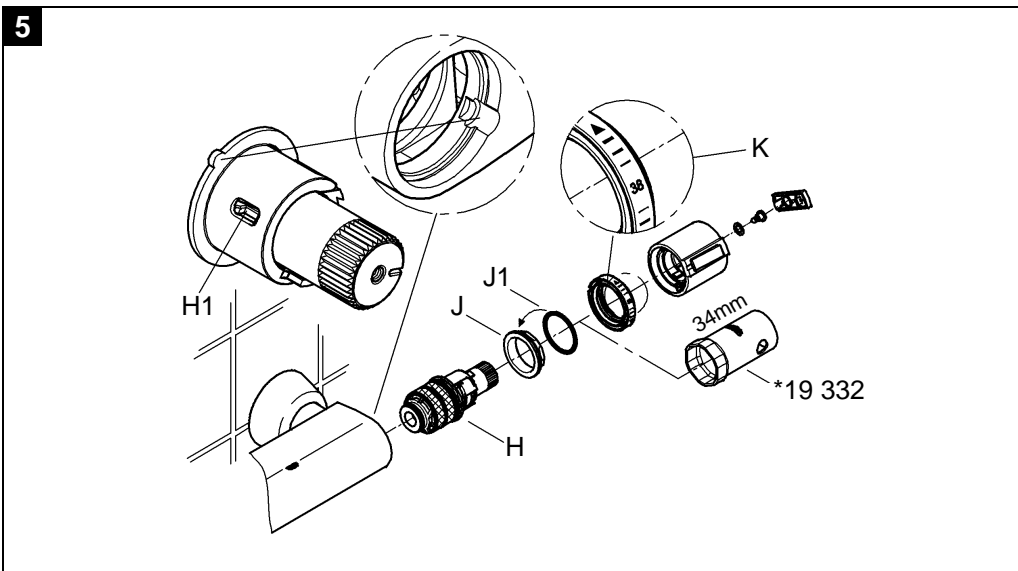
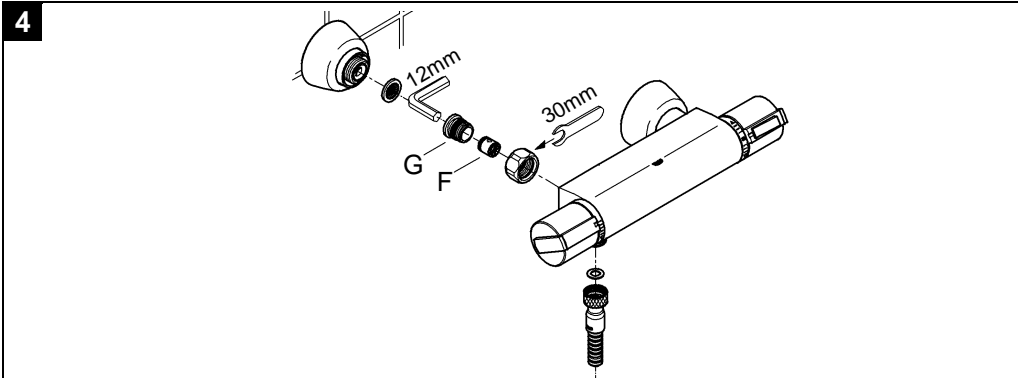
#### III. Headpart (L), see fold-out page III, Fig. [6].

Install in reverse order.

**Replacement Parts**, see fold-out page II (\* = special accessories).

## Care

For directions on the care of this fitting, refer to the accompanying Care Instructions.



**(D)**

Grohe Deutschland  
Vertriebs GmbH  
Zur Porta 9  
D-32457 Porta Westfalica  
Tel.: 0 180 2 / 66 00 00  
Fax: 0 180 2 / 66 11 11

**(A)**

GROHE Ges.m.b.H.  
Beichlgasse 6  
A-1100 Wien  
Tel.: 01 / 68060-0  
Fax: 01 / 689 8747

**(B)**

GROHE N.V. - S.A.  
Diependaalweg 4a  
B-3020 Winksele  
Tel.: 0 16 / 23 06 60  
Fax: 0 16 / 23 90 70

**(BG)**

Представителство  
Grohe Water Technology  
AG & Co. KG  
в България  
Ралф Шпиринг  
Клон 11, П.К. 35  
BG-8011 Бургас  
тел./факс.: 056 / 841585

**(CDN)**

GROHE Canada Inc.  
1226 Lakeshore Road East  
Mississauga, Ontario  
Canada, L5E 1E9  
Tel.: 905 / 271 2929  
Fax: 905 / 271 9494

**(CH)**

Grohe Switzerland SA  
Zweig Niederlassung Wallisellen  
Hertistr. 2  
CH-8304 Wallisellen  
Tel.: 044 / 877 7300  
Fax: 044 / 877 7320

**(CY)**

Nicos Theodorou & Sons Ltd.  
12 Dimitsanis Str.  
P.O. Box 21387  
CY-1507 Nicosia  
Tel.: 22 / 75 76 71  
Fax: 22 / 75 90 85

**(CZ SK)**

Zastoupení  
Grohe Water Technology  
AG & Co. KG  
pro ČR a SR  
Veronika Menšíková  
Učňovská 100/1  
ČR-190 00 Praha 9  
Tel./Fax: 02 / 66106462  
Tel./Fax: 02 / 66106562

**(DK)**

GROHE A/S  
Walgerholm 11  
DK-3500 Vaerloese  
Tel.: 0045 / 44 65 68 00  
Fax: 0045 / 44 65 02 52

**(E)**

GROHE España S.A.  
C/ Botanica, 78 - 88  
Gran Via L'H - Distr. Econòmic  
E-08908 L'Hospitalet de  
Llobregat (Barcelona)  
Tel.: 93 / 3 36 88 50  
Fax: 93 / 3 36 88 51

**(EST LT LV)**

ALPIGRO OÜ  
Alar Pihlak  
Jõe 5  
EST-10151 Tallinn  
Tel.: 00372 / 6261204  
Fax: 00372 / 6261204

**(F)**

GROHE S.à.r.l.  
11, Rue des Peupliers  
F-92130 Issy-les-  
Moulineaux  
Tel.: 01 / 46 62 50 00  
Fax: 01 / 46 62 61 10

**(FIN)**

Oy Teknocalor Ab  
Sinikellonkuja 4  
FIN-01300 Vantaa  
Tel.: 00358 / (0)9-825 4600  
Fax: 00358 / (0)9-826 151

**(GB)**

GROHE Limited  
1, River Road  
GB-Barking,  
Essex, IG11 0HD  
Tel.: 0208 / 5 94 72 92  
Fax: 0208 / 5 94 88 98

**(GR)**

Nikos Sapountzis S.A.  
86, Kapodistriou & Roumelis Str.  
GR-142 35 N. Ionia - Athens  
Tel.: 010 / 2 71 29 08  
Fax: 010 / 2 71 56 08

**(H)**

GROHE Hungary Kft.  
Kereskedelmi Képviselet  
H-2040 Budaörs, Liget u. 1.  
Tel.: 23 / 422-468  
Fax: 23 / 422-469

**(HR)**

Giersch GmbH  
Damir Pavelić  
Maksimirska ul. 98/V  
HR-10000 Zagreb  
Tel.: 01 / 2331 442  
Fax: 01 / 2331 966

**(I)**

GROHE S.p.A.  
Via Castellazzo Nr. 9/B  
I-20040 Cambiago (Milano)  
Tel.: 02 / 959401  
Fax: 02 / 95940263

**(IS)**

BYKO hf.  
Skemmuvegi 2  
IS-200 Kópavogur  
Tel.: 00354 / 515 4000  
Fax: 00354 / 515 4099

**(J)**

Grohe Japan Ltd.  
TRC Building, 3F  
1-1 Heiwajima 6-chome,  
Ota-ku  
Tokyo 143-0006  
Tel.: 03 / 32 98-97 30  
Fax: 03 / 37 67 38 11

**(N)**

GROHE A/S  
Karihaugveien 89  
N-1086 Oslo  
Tel.: 0047 / 22 90 61 10  
Fax: 0047 / 22 90 61 20

**(NL)**

GROHE Nederland B.V.  
Metaalstraat 2  
NL-2718SW Zoetermeer  
Tel.: 0793 / 68 01 33  
Fax: 0793 / 61 51 29

**(P)**

GROHE Portugal  
Componentes Sanitários, Lda.  
Rua Arq. Cassiano Barbosa, 539  
1.º Frente Esquerdo  
P-4100-009 Porto  
Tel.: 00351 / 225 432 980  
Fax: 00351 / 225 432 999

**(PL)**

GROHE Polska Sp. Z.O.O.  
ul. Migdalowa 4  
PL - 02-796 Warszawa  
Tel.: 022 / 645 12 55 - 57  
Fax: 022 / 645 12 58

**(RUS)**

Представительство  
Grohe Water Technology  
AG & Co. KG  
в России  
ул. Щипок, 11/28, стр. 1  
113054 Москва  
тел.: 095 / 9374901  
факс: 095 / 9374902

**(RO)**

EU RO - International S.R.L.  
H.-G. Zuhr  
B-dul Dimitrie Pompei, nr. 8,  
Sector 2  
RO-72326 Bukarest  
Tel.: +40 (0) 21 212 74 03  
Fax: +40 (0) 21 212 67 10

**(S)**

GROHE A/S  
Box 2063  
SE-194 02 Upplands Väsby  
Tel.: 0046 / (0)771-14 13 14  
Fax: 0046 / (0)771-14 13 15

**(SLO)**

GROSAN inženiring d.o.o.  
Slandrova 4  
SLO-1000 Ljubljana  
Tel.: +386 (0) 1 563 3060  
Fax: +386 (0) 1 563 3061

**(TR)**

GROME İc Ve Dis Ticaret Ltd. Sti.  
Ugras Parlar Is Merkezi  
Bagdat Cad. No. 303  
B Blok D: 12 - 15  
TR-81540 Cevizli - Kartal  
Istanbul  
Tel.: 0216 / 4 41 23 70  
Fax: 0216 / 3 70 61 74

**(UA)**

Представитель  
Friedrich Grohe  
AG & Co. KG  
в УКРАИНЕ  
Н.И. Топольская  
03151 Киев  
тел.: +38 (0) 44 2 75 17 34  
факс: +38 (0) 44 2 49 94 58

**(USA)**

GROHE America Inc.  
241 Covington Drive  
Bloomington  
Illinois, 60108  
Tel.: 630 / 582 7711  
Fax: 630 / 582 7722

**Near and Middle East****Area Sales Office:**

GROME Marketing  
(Cyprus) Ltd.  
11, Lemesou Avenue  
Galatariotis Building  
CY-2112 Aglanjia  
P.O. Box 27048  
CY-1641 Nicosia  
Tel.: +357 / 22 / 46 52 00  
Fax: +357 / 22 / 37 91 88

**Far East Area Sales Office:**

GROHE Pacific Pte. Ltd.  
260 Orchard Road  
# 08-03/04 The Heeren  
Singapore 238855  
Tel.: 00 65 6 / 7 38 55 85  
Fax: 00 65 6 / 7 38 08 55

**Grohe Water Technology AG & Co. KG**  
Postfach 13 61  
58653 Hemer  
Tel: 0 23 72 / 93-0, Fax: 0 23 72 / 93 12 22

**GROHE®**