

# GROHE

WATER TECHNOLOGY

## Ectos

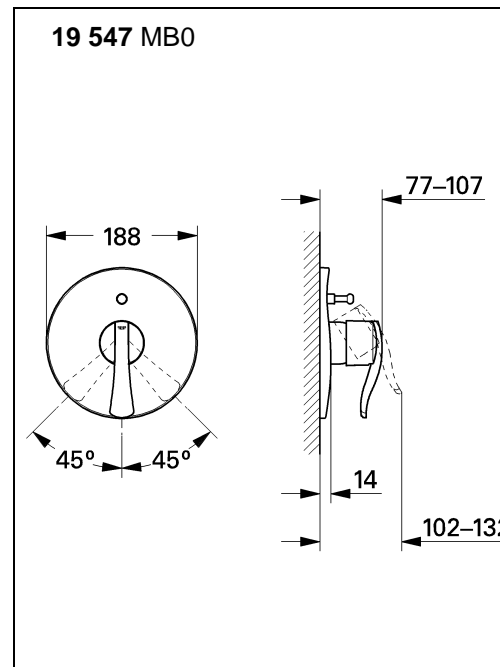
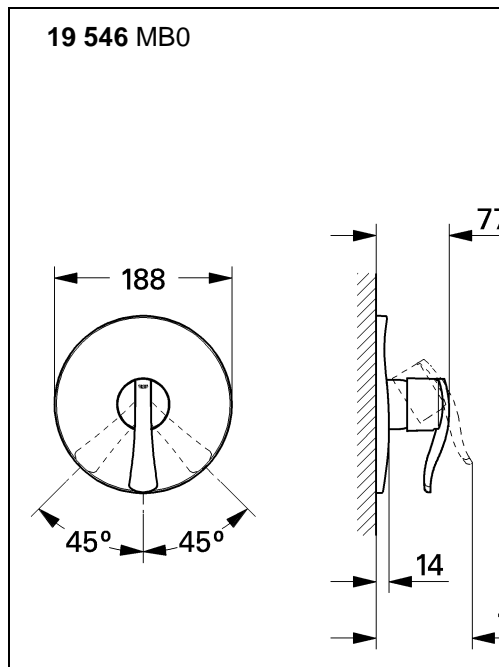
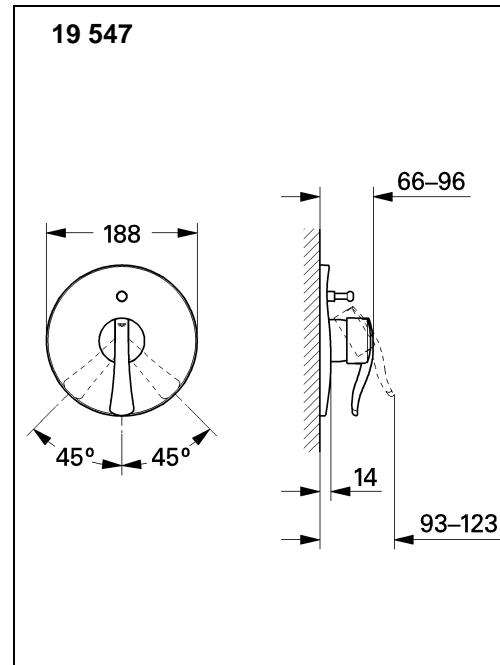
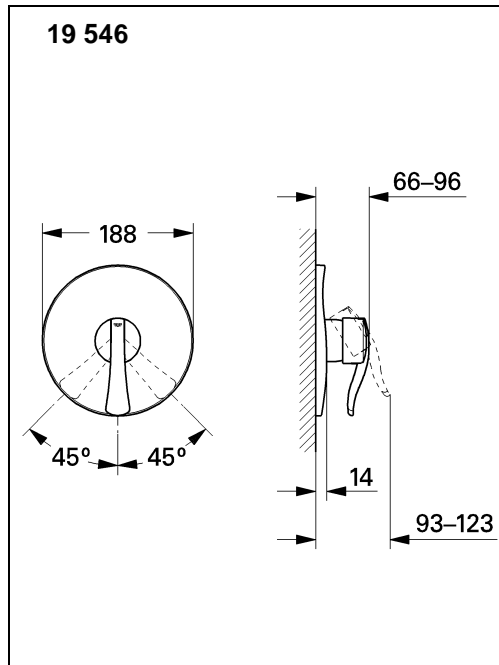


19 546

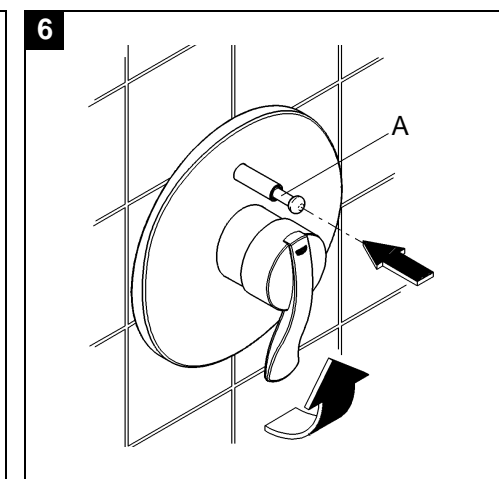
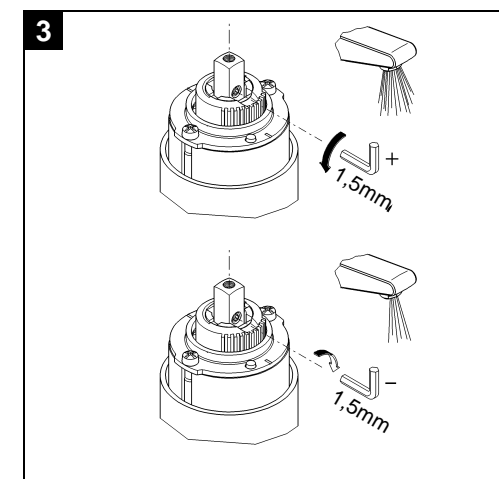
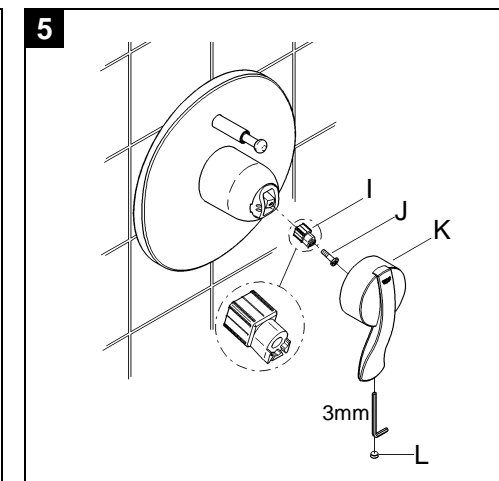
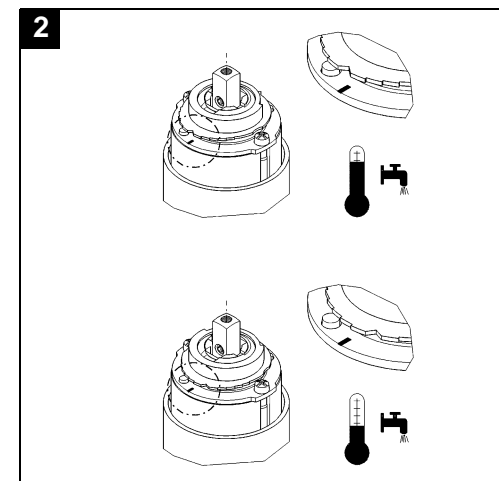
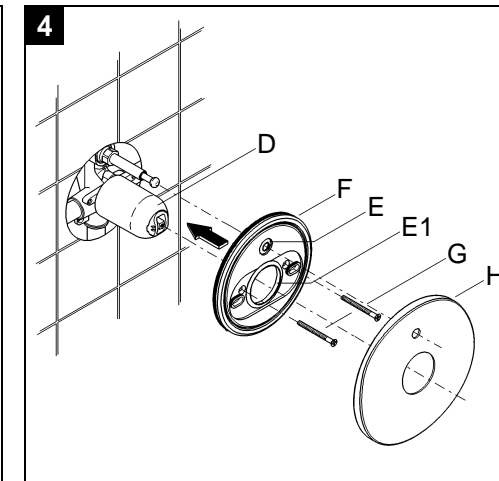
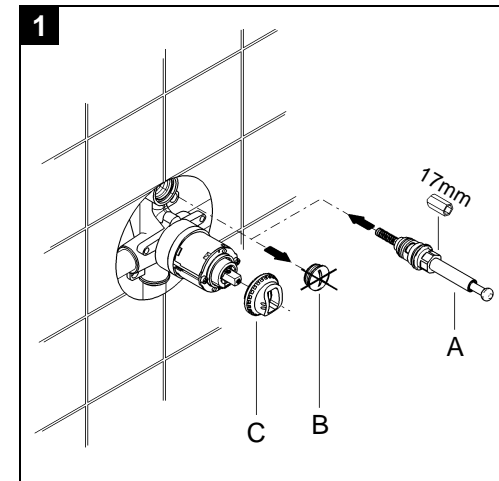


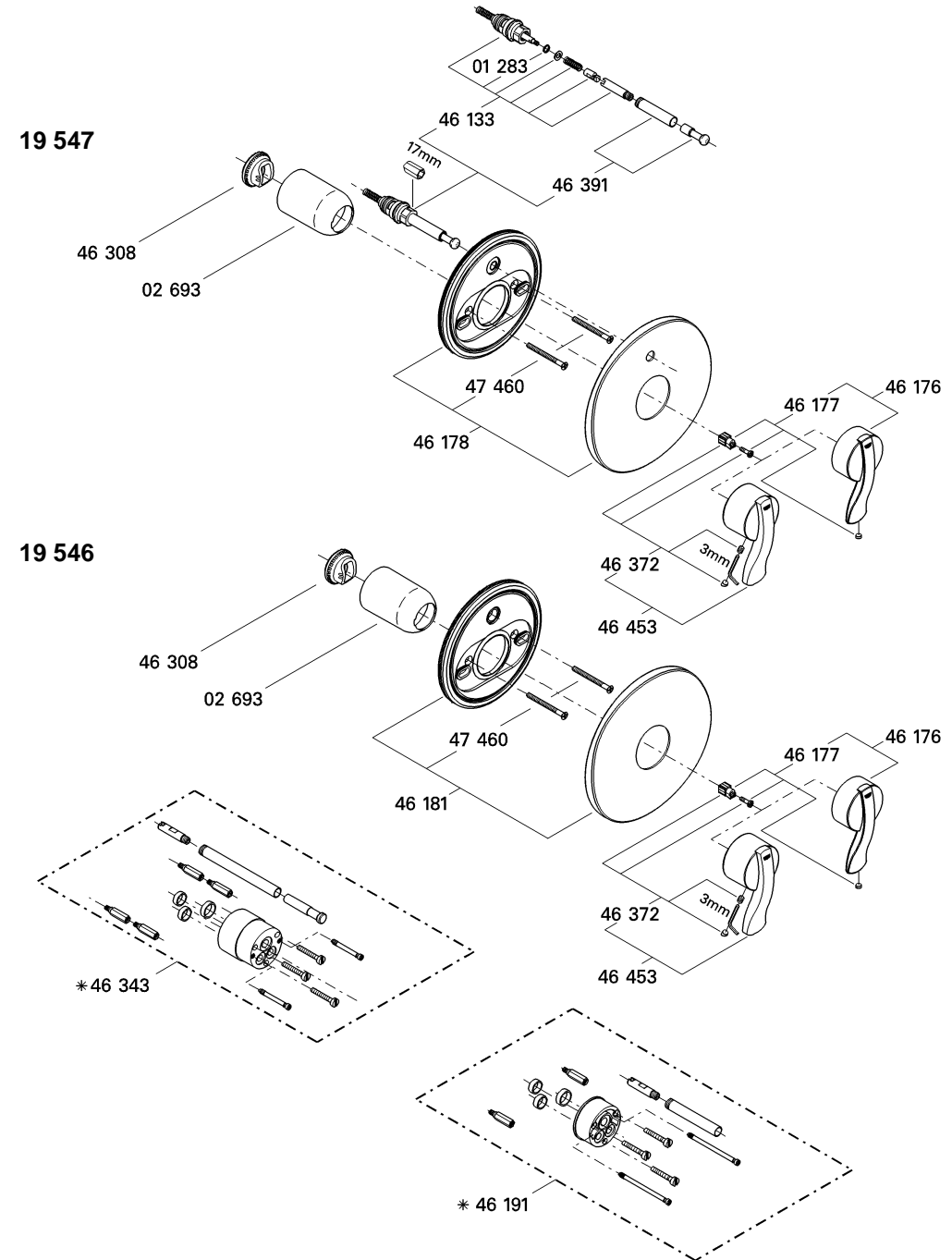
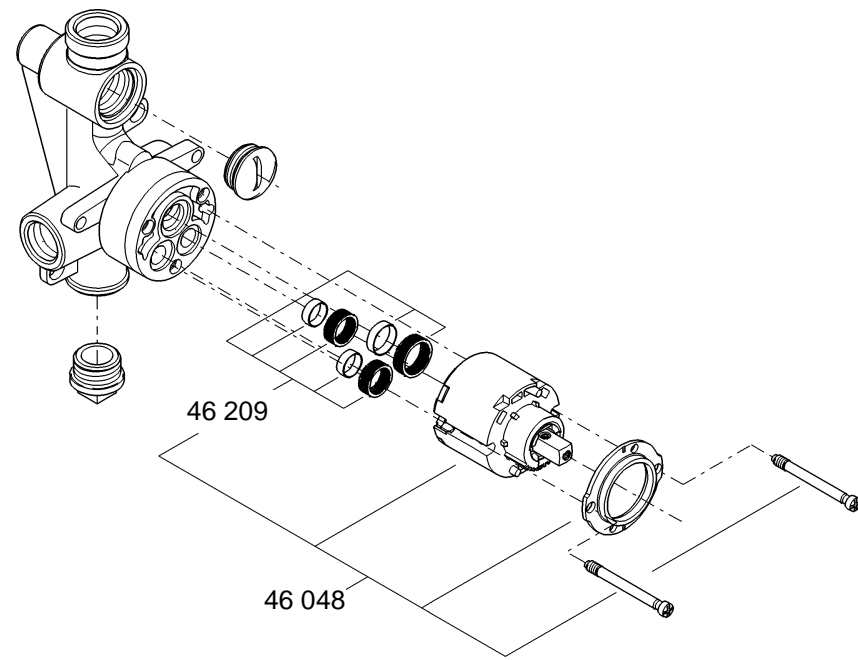
19 547

**D** Seite ..... 1   **I** Pagina...5   **N** Side ..... 9   **GR** Σελίδα.13   **TR** Sayfa ..... 17  
**GB** Page ..... 2   **NL** Pagina...6   **FIN** Sivu .... 10   **CZ** Strana .14   **RUS** Страница. 18  
**F** Page ..... 3   **S** Sida.....7   **PL** Strona. 11   **H** Oldal ...15   **SK** Strana..... 19  
**E** Página .. 4   **DK** Side.....8   **UAE** الصفحة 12   **P** Página.16



Bitte diese Anleitung an den Benutzer der Armatur weitergeben!  
 Please pass these instructions on to the end user of the fitting.  
 S.v.p remettre cette instruction à l'utilisateur de la robinetterie!





**GB**

**Installation**

**Remove fitting template.**

**Flush pipes thoroughly.**

**Note:**

First fit the diverter (A) before installing headpart 19 547, see fold-out page I, Fig. [1].

1. Remove screw plug (B).
2. Screw diverter (A) into position using 17mm socket spanner and tighten.

**Temperature limiter**

The hot-water temperature can be limited to prevent the risk of scalding. To do this, adjust the temperature limiter provided (C), see Fig. [1], to the required maximum water temperature (turning clockwise to increase temperature or anticlockwise to reduce temperature), see Fig. [2].

**Flow rate limiter**

This mixer is fitted with a flow rate limiter, permitting an infinitely individual variable reduction in the flow rate. The highest possible flow rate is set by the factory before despatch.

**The use of flow rate limiters in combination with hydraulic instantaneous water heaters is not recommended.**

For commissioning see Fig. [3].

**Install escutcheon and lever**, see Figs. [4] and [5].

- Screw on cap (D), see Fig. [4].
- Grease seals (E) and (E1).
- Push on escutcheon mounting base (F) and secure with screws (G).
- Clip escutcheon (H) into escutcheon mounting base (F).
- Fit insulator (I) onto cartridge actuating lever and fit screw (J), see Fig. [5].
- Fit lever (K), secure by tightening the loosely fitted set screw with 3mm socket spanner and insert plug (L).

If the escutcheon will not slide far enough onto the cap, you must additionally install an extension (46 191=25mm / 46 343=50mm), see replacement parts on fold-out page II.

Additionally seal the top edge of the escutcheon with silicone if it is fitted against a particularly rough surface (deep tile joints, highly textured tile).

**Check mixer operation**

Pull lever	= open (water flow)
Press lever down	= closed
Turn lever right	= cold water
Turn lever left	= hot water

**Check operation of automatic diverter (A),**

see Fig. [6].

Pulling the lever will release water delivery.

On the bath mixer, water will always emerge from the lower outlet first (i.e. bath spout).

Pressing diverter (A) will close the flow of water to the bath and deliver water to the shower outlet. On turning off the mixer, the diverter will be released automatically so that when the mixer is turned on again, water will always emerge from the lower outlet first (i.e. bath outlet).

**Maintenance**

Inspect and clean all parts, replace as necessary and grease with special grease (order no. 18 012).

**Shut off the hot and cold water supply!**

**I. Cartridge**, see fold-out page III, Figs. [7] and [8].

1. Lever out plug (L), see Fig. [7].
2. Remove set screw with 3mm socket spanner.
3. Pull off lever (K).
4. Remove escutcheon (H) as shown in Fig. [8].
5. Remove screws (G), see Fig. [7].
6. Detach escutcheon mounting base (F).
7. Unscrew cap (D).
8. Pull off temperature limiter (C).
9. Remove screws (M) and detach cartridge (N).
10. Change either cartridge (N) or seals (N1).

**Observe the correct installation position!**

Make sure that the cartridge seals (N1) engage in the grooves on the housing. Fit screws (M) and tighten **evenly and alternately**.

**II. Diverter**, see Figs. [7] and [9].

1. Same procedure as points 1 - 6 for cartridge maintenance.
2. Unscrew diverter (A), see Fig. [7].
3. Hold pushbutton (P) with rubber protected pliers, pull out diverter plunger (R) and unscrew diverter spindle (S) from the diverter housing (T) using a 4mm open-ended spanner, see Fig. [9].

Assemble in reverse order.

**Replacement parts**, see fold-out page II

(\* = special accessories).

**Care**

For directions on the care of this fitting, please refer to the accompanying Care Instructions.

