



WATER TECHNOLOGY

Grohtherm 3000

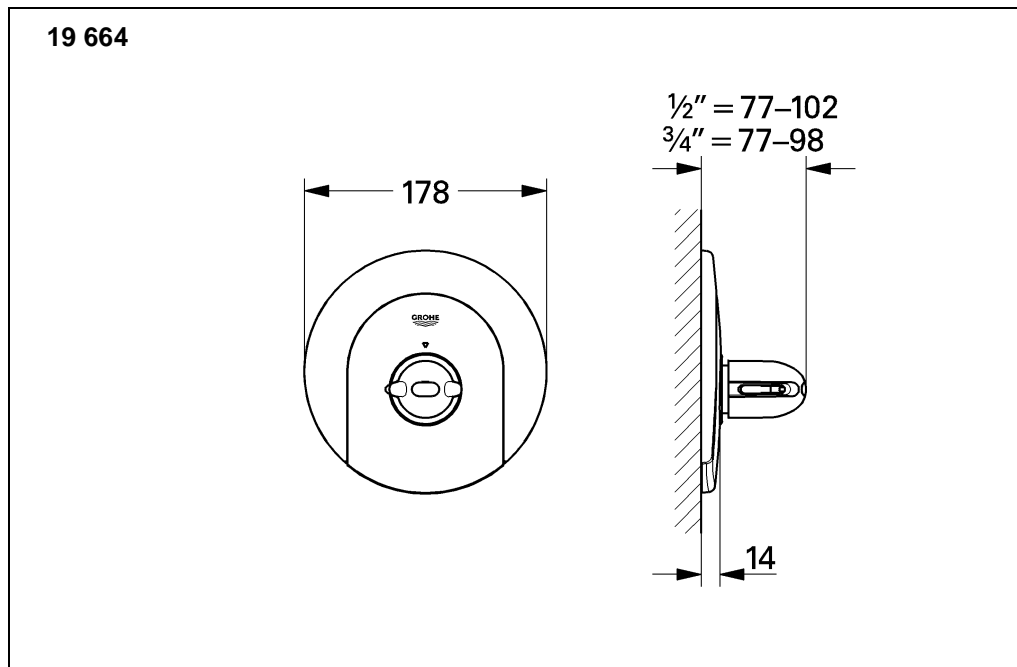
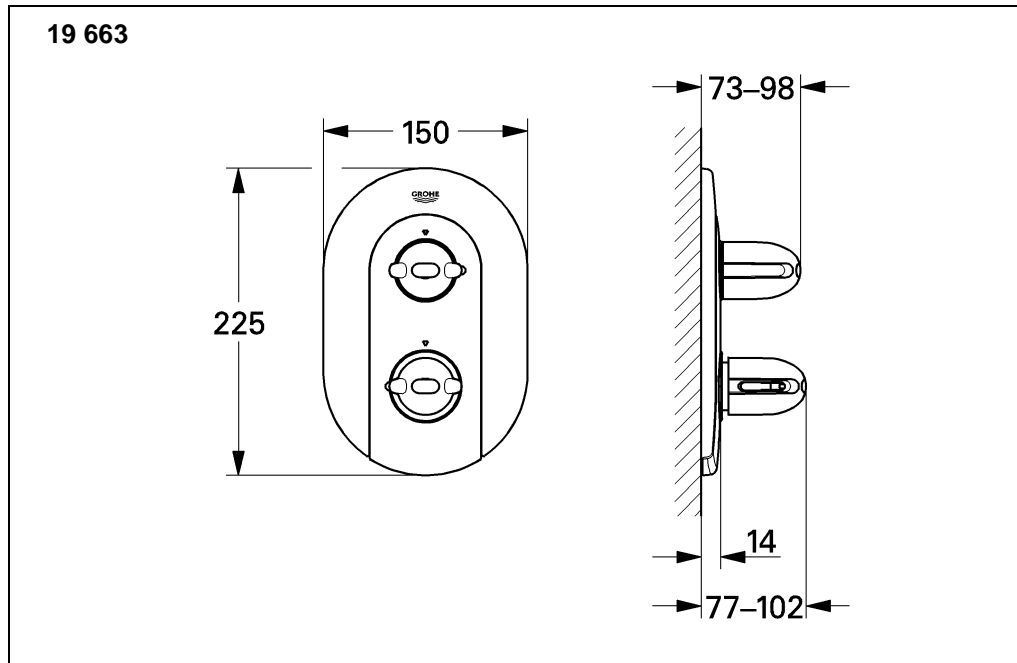


19 663

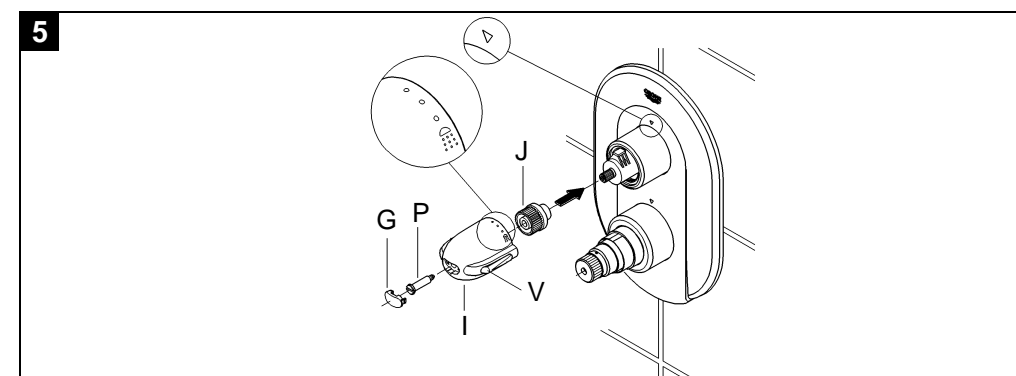
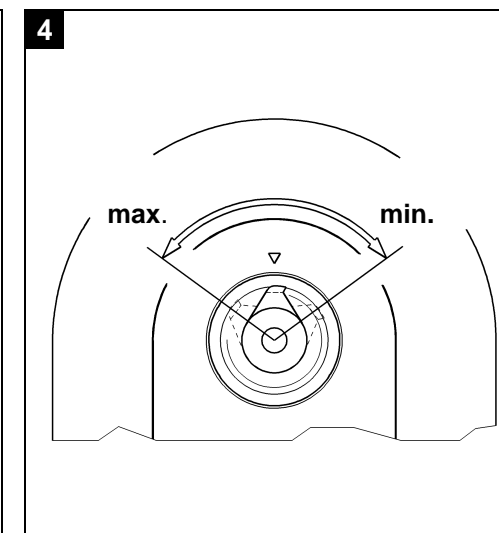
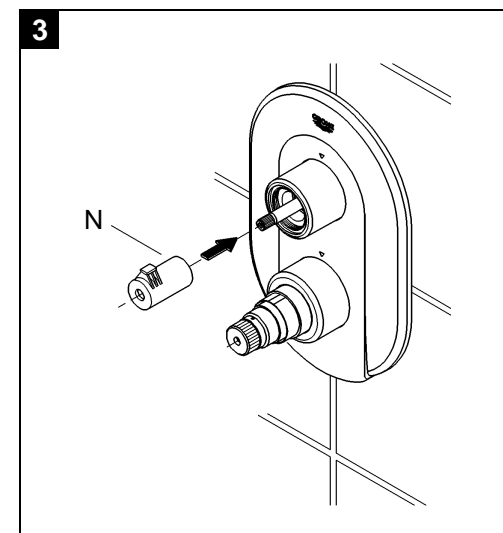
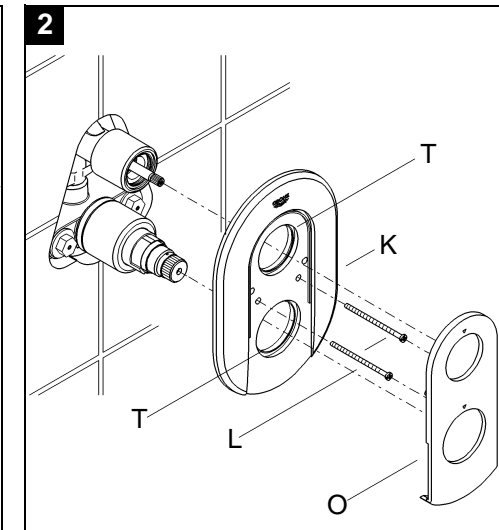
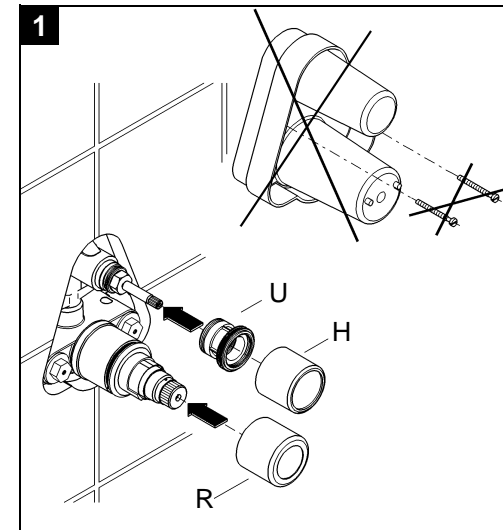


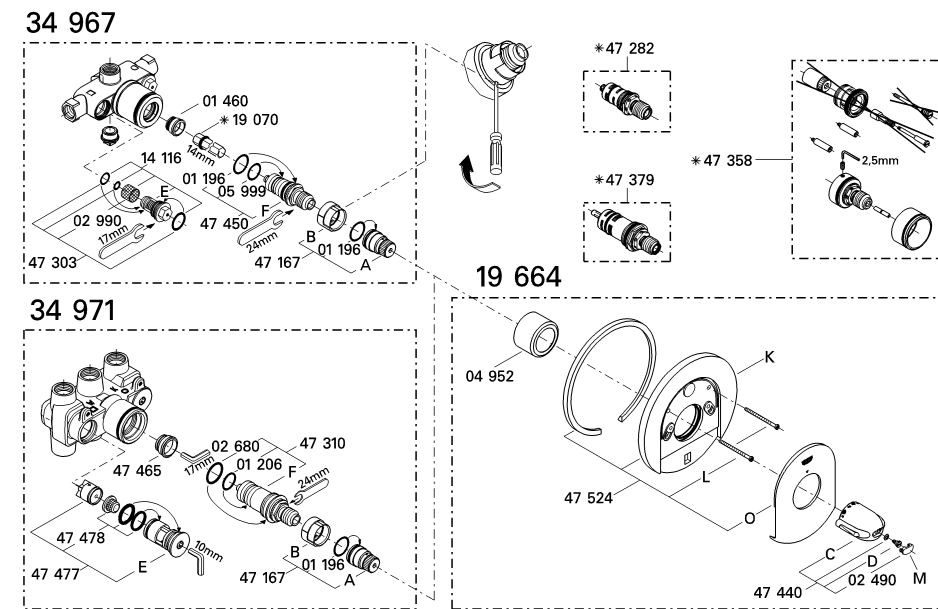
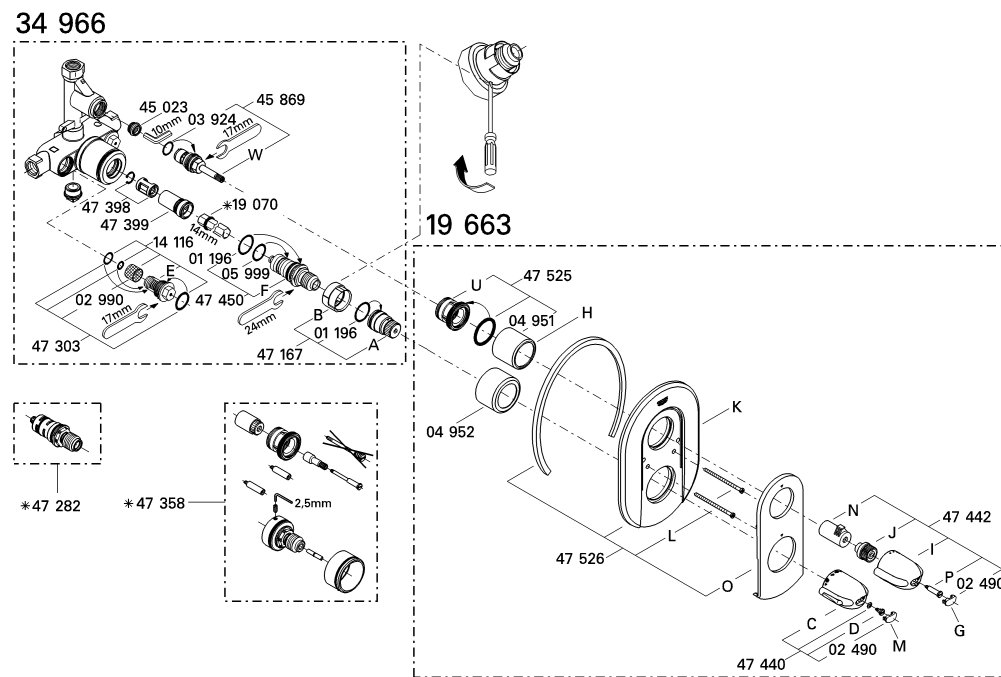
19 664

D Seite 1 **I** Pagina...5 **N** Side 9 **GR** Σελίδα.13 **TR** Sayfa 17
GB Page 2 **NL** Pagina...6 **FIN** Sivu 10 **CZ** Strana .14 **RUS** Страница. 18
F Page 3 **S** Sida.....7 **PL** Strona. 11 **H** Oldal ...15 **SK** Strana..... 19
E Página .. 4 **DK** Side.....8 **UAE** الصفحة 12 **P** Página.16



Bitte diese Anleitung an den Benutzer der Armatur weitergeben!
 Please pass these instructions on to the end user of the fitting.
 S.v.p remettre cette instruction à l'utilisateur de la robinetterie!





GB

Installation to finished stage

- Plaster and tile the wall, excluding the area occupied by the mounting template. Seal any apertures in the wall so that they are watertight to spray water.
 - Tiles laid in mortar should be pointed so that the joint is tapered towards the outside.
 - Seal prefabricated walls with a permanently plastic compound.
- Remove the mounting template, see fig. [1].
- Install holder (U), screw-mount sleeve (H) and sleeve (R), see fig. [1].
- Grease the seals (T) of the escutcheon (K) with the special grease supplied and install escutcheon (K) with screws (L), see fig. [2].
- Fit the cap (O), see fig. [2].

If the thermostat has been installed at too great a depth, this can be adjusted by 27.5mm with an extension set (see fold-out page II, ref. No. 47 358).

Reversed union (hot on right - cold on left).
Replace thermoelement (F), see replacement parts fold-out page II, ref. No.: 47 282 (1/2") and 47 379 (3/4").

Installation of the flow control knob and adjustment of the economy stop, see figs. [3] to [5].

- The flow rate is limited by the economy stop (N) supplied, see fig. [3].

To install the flow control knob, proceed as follows:

1. Close the ceramic headpart by turning clockwise.
2. Install the economy stop (N) in the desired position, see fig. [3].

For possible settings, see fig. [4].

3. Reinstall splined adapter (J) and shut-off knob (I) with economy button (V) pointing to the right.
Reinstall screw (P) and refit cap (G), see fig. [5].

If a higher rate is desired, the stop can be overridden by depressing the flow control knob (V), see fig. [5].

Adjustment

Installation of the thermostat knob and temperature adjustment, see figs. [6] and [7].

- Before the mixer is put into service if the mixed water temperature measured at the point of discharge varies from the specified temperature set on the thermostat.
 - After any maintenance operation on the thermoelement.
1. Open the shut-off valve and check the temperature of the water with a thermometer, see fig. [6].
 2. Turn the adjusting nut (A) clockwise or anticlockwise until the water temperature reaches 38 °C, see fig. [6].
 3. Reinstall the thermostat knob (C) in such a way that the 38 °C mark (◊) on the knob coincides with the mark (S) on the cap (O).
 4. Reinstall screw (D) and refit cap (M), see fig. [7].

Temperature limitation

The safety stop limits the temperature range to 38 °C.
If a higher temperature is desired, the 38 °C limit can be overridden by depressing the temperature control handle.

Prevention of frost damage

When the domestic water system is drained, thermostat mixers must be drained separately, since non-return valves are installed in the hot and cold water connections.
The complete thermostat assemblies and non-return valves must be unscrewed and removed.

Maintenance

For maintenance, see fig. [8] and fold-out page II.

Shut off hot and cold water supplies.

I. Thermoelement

1. Lever out cap (M).
2. Unscrew and remove (D) and pull off thermostat knob (C).
3. Unscrew and remove adjusting nut (A).
4. Pull off stop ring (B).
5. With a 24mm open-ended spanner, unscrew and remove thermoelement (F).

II. Non-return valve

1. Lever out cap (M) and (G).
2. Unscrew and remove screws (D) and (P), pull off thermostat knob (C) and shut-off knob (I).
3. Detach cap (O) in accordance with fig. [8].
4. Remove screws (L) and escutcheon (K).
5. Unscrew and remove non-return valve (E) with 17mm socket wrench or 10mm allen key.

III. Ceramic headpart

1. Proceed as for maintenance of non-return valve, points 1-4.
2. Remove splined adapter (J) and economy stop (N).
3. Remove sleeve (H) and holder (U).
4. With a 17mm open-ended spanner, unscrew and remove ceramic headpart (W).

Inspect and clean all parts, replace if necessary and grease with special valve grease (ref. No. 18 012).

Reassemble in the reverse order.

Observe the correct mounting position!

Use only genuine **Grohe** replacement parts.

Replacement parts, see fold-out page II (* = special accessories).

Readjustment is necessary after every maintenance operation on the thermoelement (see Adjustment).

Care

For directions on the care of this thermostat mixer, please refer to the accompanying Care Instructions.

