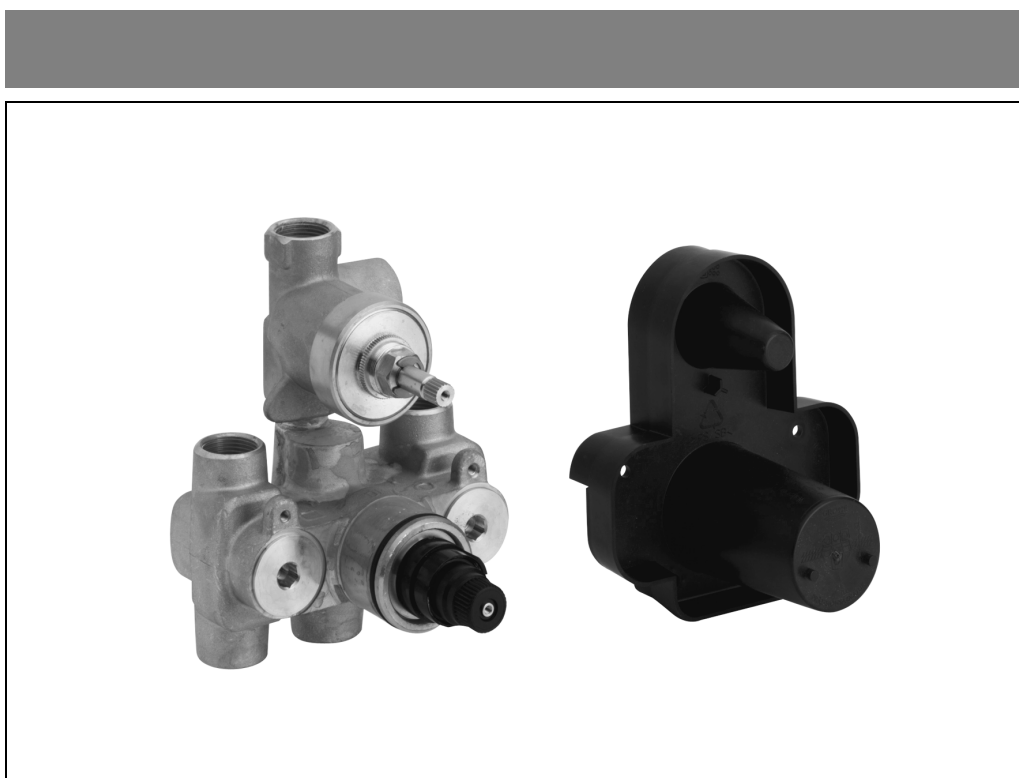


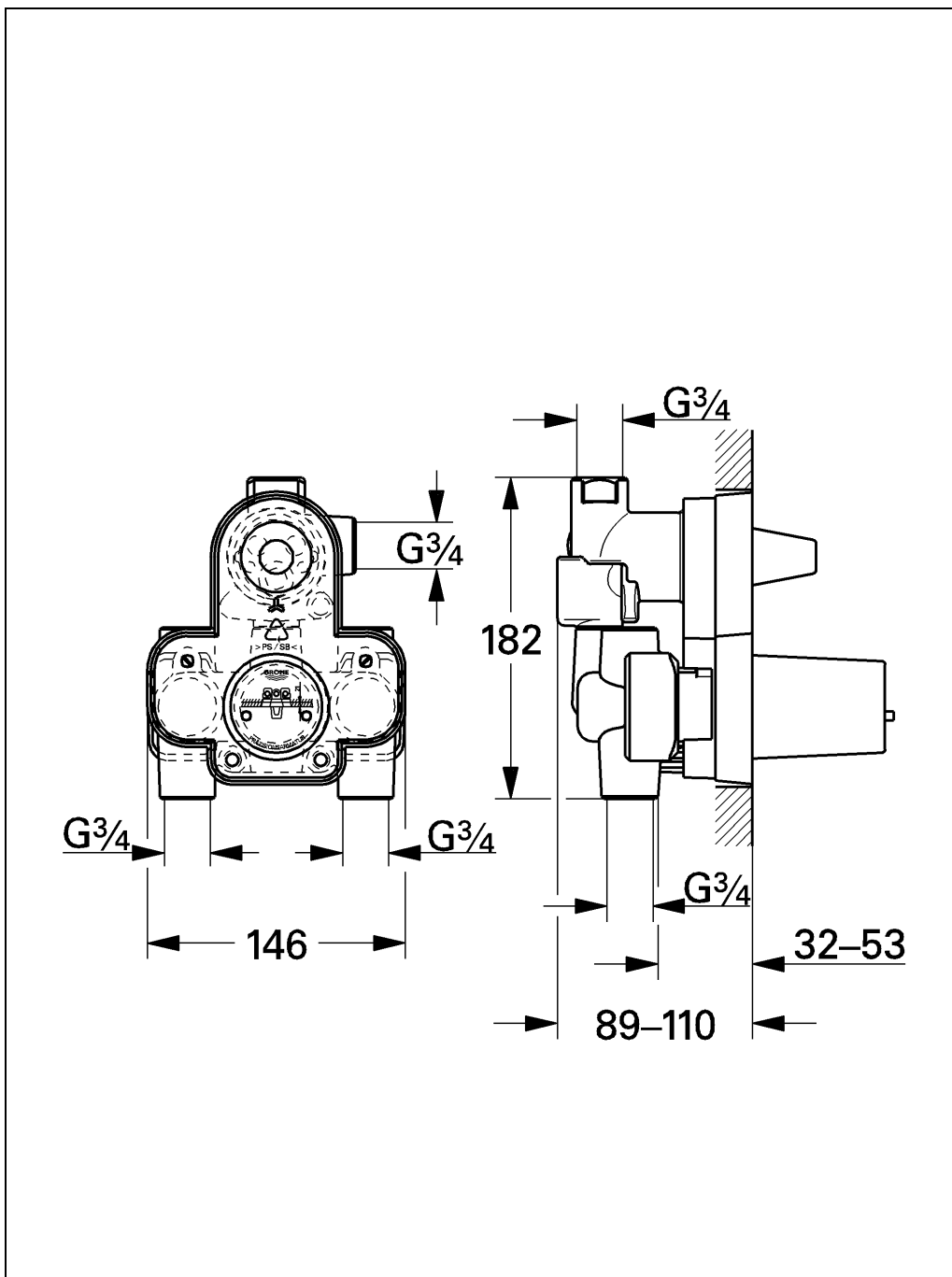


WATER TECHNOLOGY

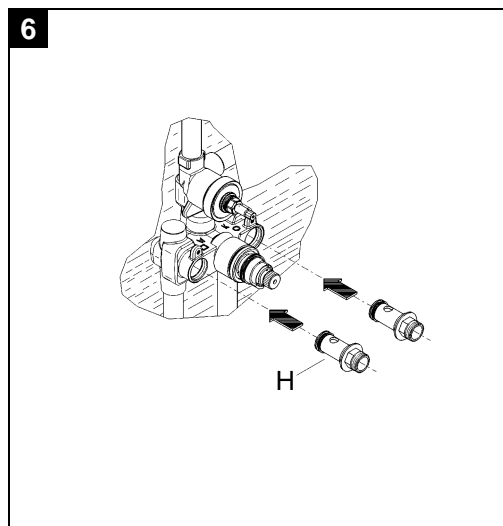
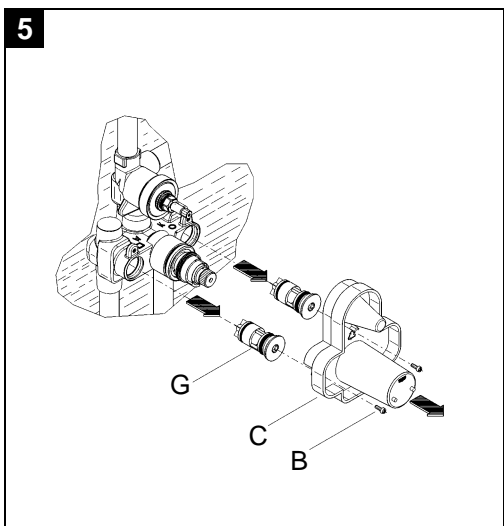
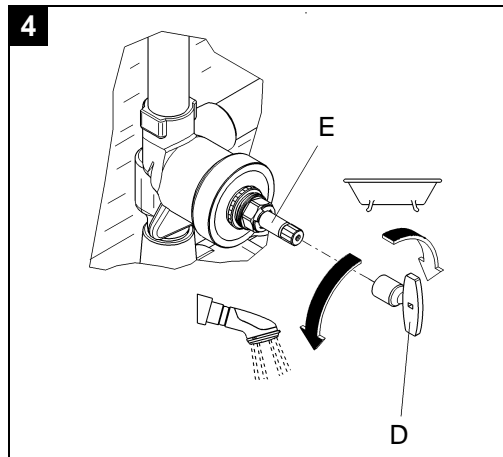
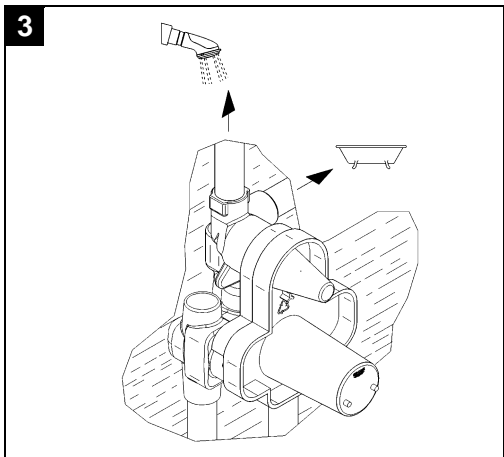
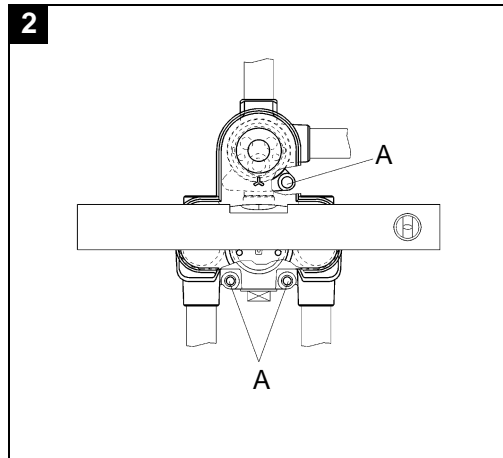
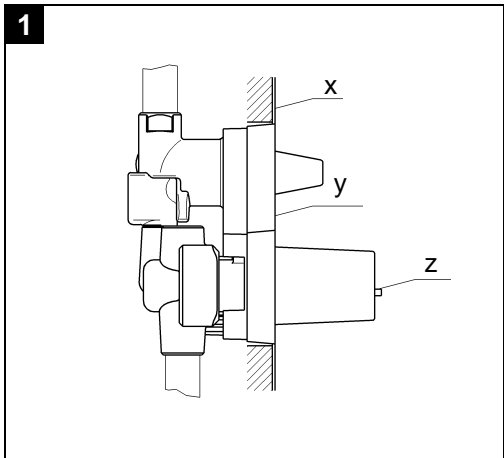


34 964

**D** Seite ..... 1 **I** Pagina...5 **N** Side ..... 9 **GR** Σελίδα.13 **TR** Sayfa ..... 17  
**GB** Page ..... 2 **NL** Pagina...6 **FIN** Sivu .... 10 **CZ** Strana .14 **RUS** Страница . 18  
**F** Page ..... 3 **S** Sida.....7 **PL** Strona. 11 **H** Oldal ...15 **SK** Strana..... 19  
**E** Página .. 4 **DK** Side.....8 **UAE** الصفحة 12 **P** Página.16



Bitte diese Anleitung an den Benutzer der Armatur weitergeben!  
Please pass these instructions on to the end user of the fitting.  
S.v.p remettre cette instruction à l'utilisateur de la robinetterie!



**GB****Application**

Thermostat mixers are designed for hot water supplies from pressurised storage heaters and offer the highest temperature accuracy when used in this way.

Thermostat mixers cannot be used in conjunction with low-pressure storage heaters.

All thermostat mixers are adjusted at the factory with a flow pressure of 3 bar on both sides.  
An additional stopvalve is only required if draw-off points are connected to the lower outlet.

**Technical Data**

Minimum flow pressure without downstream resistances	0.5 bar
Minimum flow pressure with downstream resistances	1 bar
Max. operating pressure	10 bar
Recommended flow pressure	1 - 5 bar
Test pressure	16 bar
Flow rate at 3 bar flow pressure	38 l/min
Max. water temperature at hot water inlet	80 °C
Recommended max. flow temperature (for energy saving)	60 °C
Safety stop	38 °C
Hot water temperature at supply connection min. 2 °C higher than mixed water temperature.	
Hot water connection - W - (- H -)	left
Cold water connection - K - (- C -)	right
Minimum flow rate	5 l/min

At a flow pressures above 5 bar, we recommend installing a pressure reducer in the supply pipe.

**Prevention of frost damage**

When the domestic water system is drained, the thermostat mixers must be drained separately, since non-return valves are installed in the hot and cold water connections. The complete thermostat assembly and non-return valves must be unscrewed and removed.

**New installation**

- Prepare wall ready for mixer.
  - Drill holes for thermostat mixer and chase-out grooves for pipelines.
- Observe the installation depth in accordance with the instructions given on the mounting template, see Fig. [1].
  - x = Face of tiles
  - y = Front face of mounting template
  - z = Resting point for spirit level
- Align the mixer horizontally, vertically and parallel to the wall, see Fig. [2] (place a spirit level on the cams or face of the mounting template).
- Install concealed thermostat mixer module in wall and connect pipelines, see Fig. [3]. The housing is provided with pre-drilled holes (A) to facilitate mounting the fitting to the wall, see Fig. [2].
- **Do not solder the connections between the pipelines and housing**, otherwise the built-in non-return valves may be damaged.
- Seal the bottom outlet with screw plug.

**Note!**

- **The hot water supply must be connected on the left** (marked W (H) on housing) **and the cold water supply on the right** (marked K (C) on housing), **as viewed from the operating position.**

**Caution!**

The upper outlets are sealed by the factory.

**Checking pipes and thermostatic mixer body for leaks.**

1. Remove screws (B) and fitting template (C), see Fig. [5].
2. Install special socket spanner supplied (D) on shut-off spindle (E), see Fig. [4].
3. Turn spanner (D) clockwise and pressure test the bath outlet.
4. Turn spanner (D) anticlockwise and pressure test the shower outlet.
5. Return spanner (D) to starting position (fitting closed) and remove.
6. Reinstall fitting template (C).

**Flush pipelines thoroughly.**

1. Remove screws (B) and fitting template (C), see Fig. [5].
2. Close the hot and cold water supplies.
3. Remove non-return valves (G), see Fig. [5].
4. Install flushing plugs (H) in non-return valve seat recesses, see Fig. [6].
5. Open the hot and cold water supplies and flush pipes thoroughly.
6. Close the hot and cold water supplies, remove flushing plugs (H) and reinstall non-return valves (G).
7. Open the hot and cold water supplies.
8. Install special socket spanner supplied (D) on shut-off spindle (E), see Fig. [4].
9. Turn spanner (D) clockwise and flush the bath outlet thoroughly.
10. Turn spanner (D) anticlockwise and flush the shower outlet thoroughly.
11. Return spanner (D) to starting position (fitting closed) and remove.
12. Reinstall fitting template (C).

Plaster and tile the wall.

Do **not** remove the fitting template before final installation.