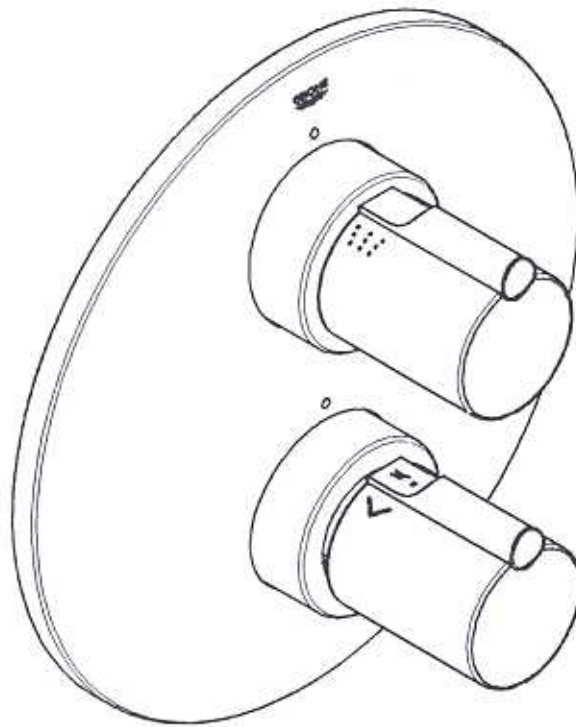


GROHE



WATER TECHNOLOGY

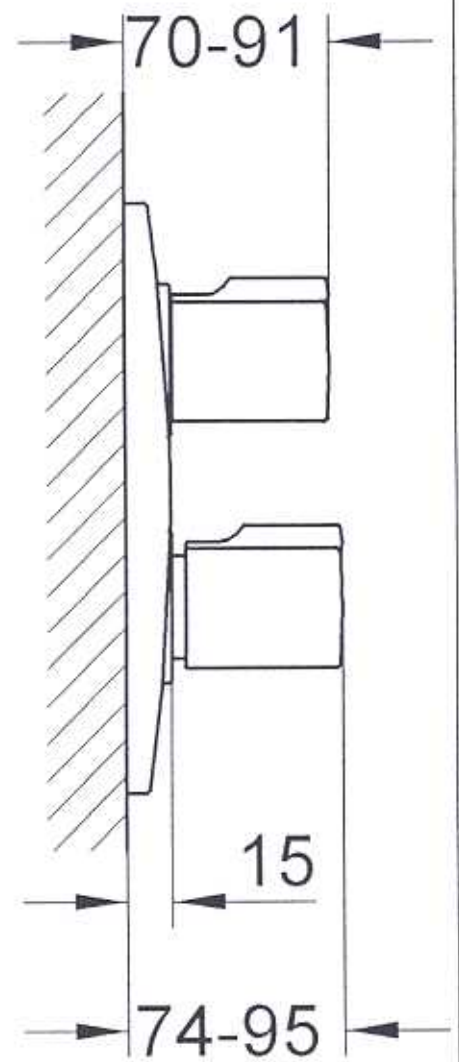
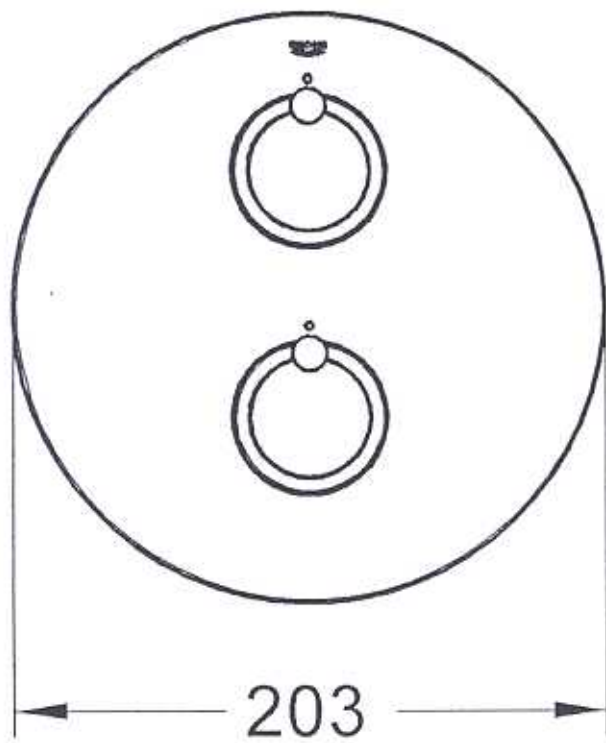
Tenso



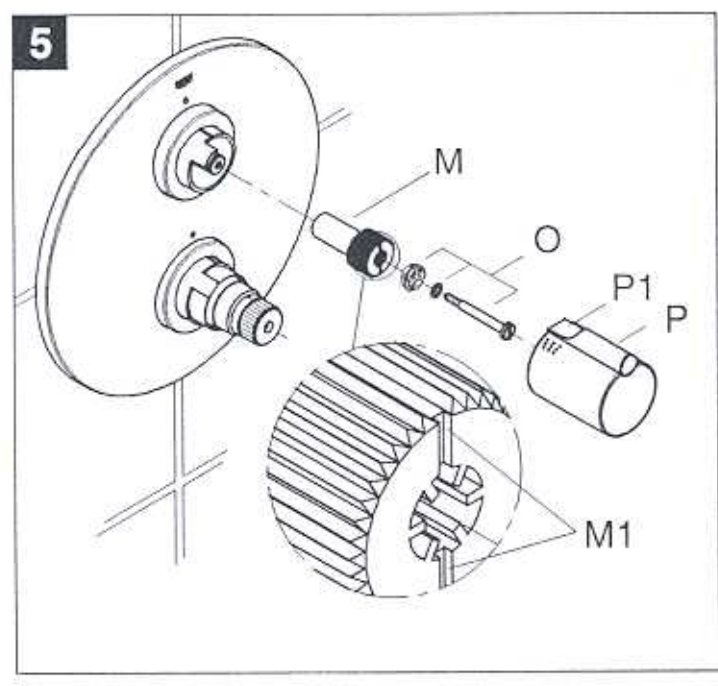
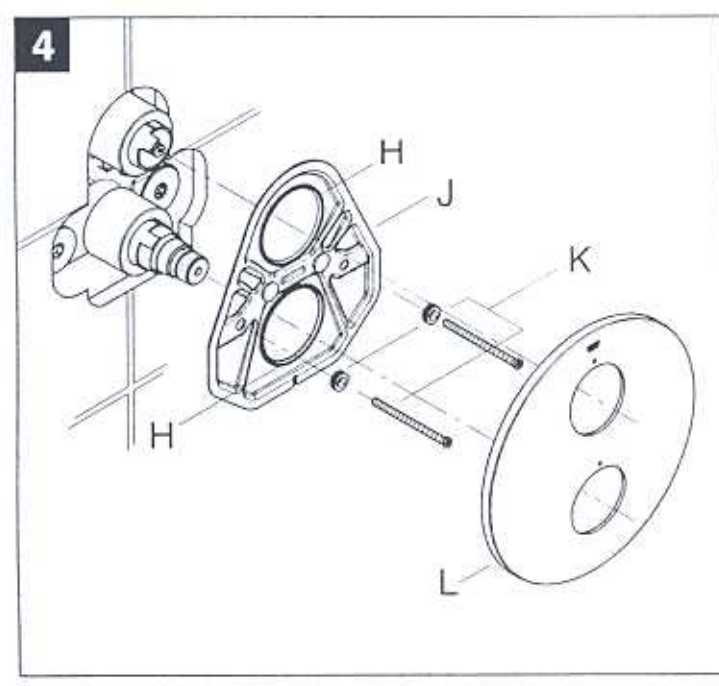
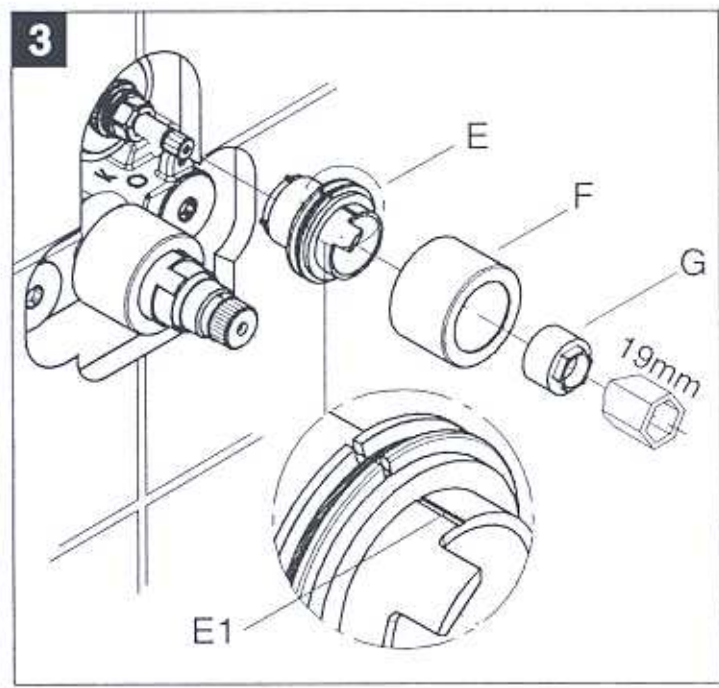
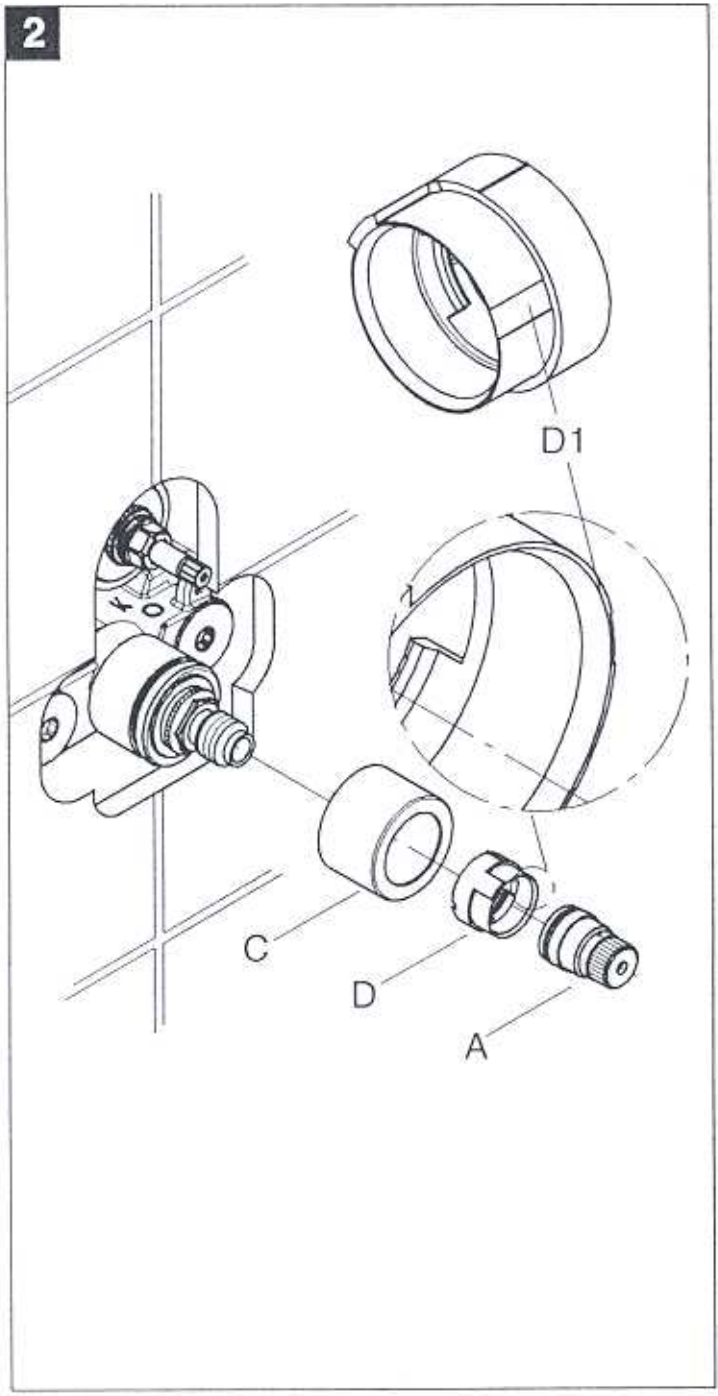
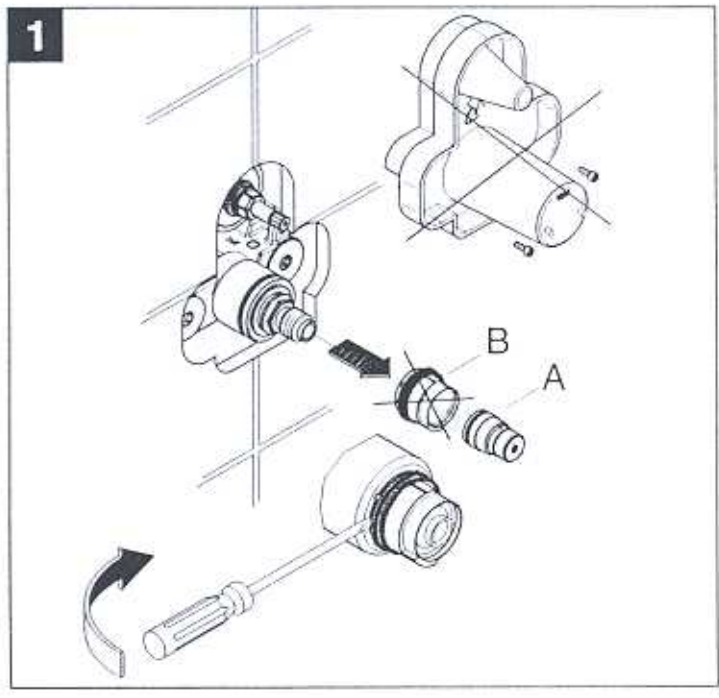
19 060

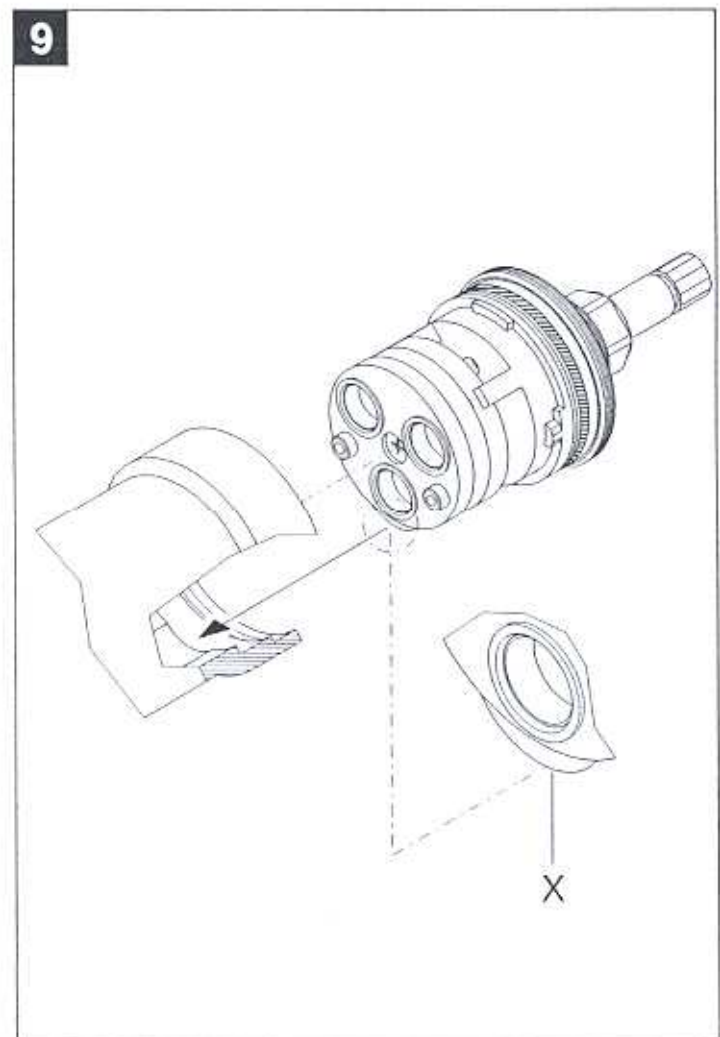
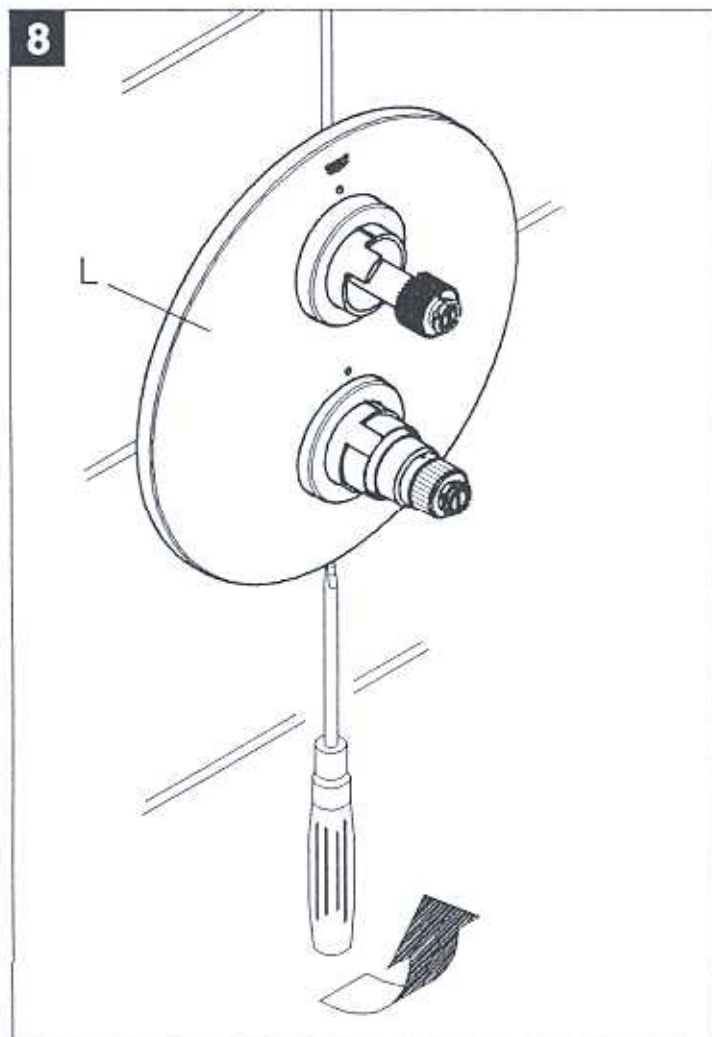
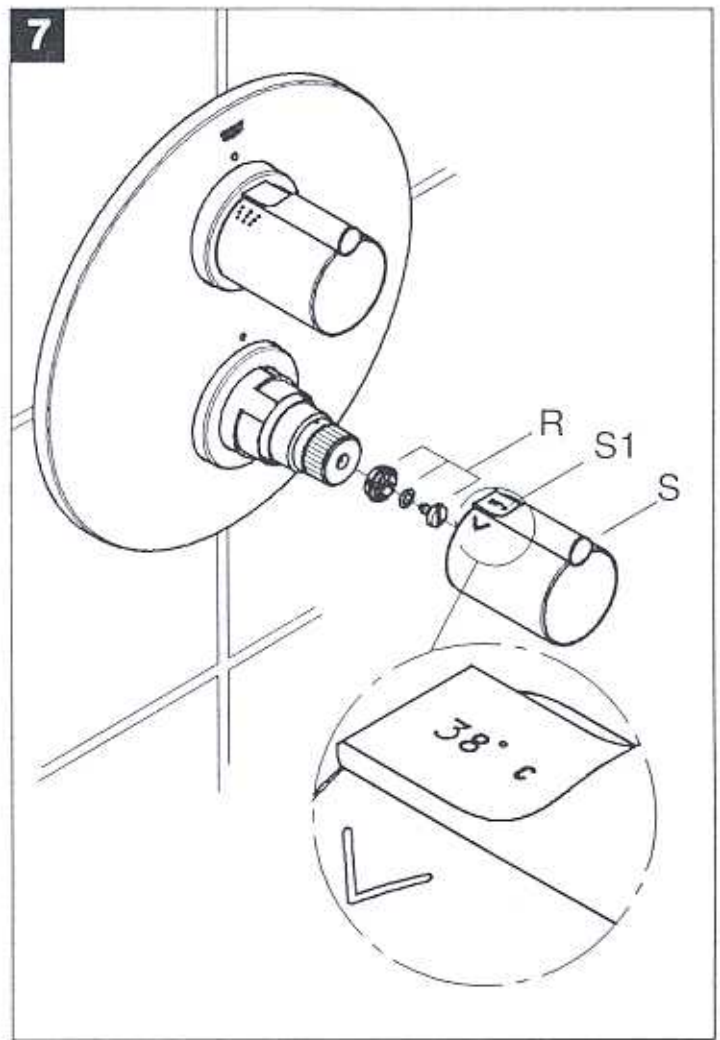
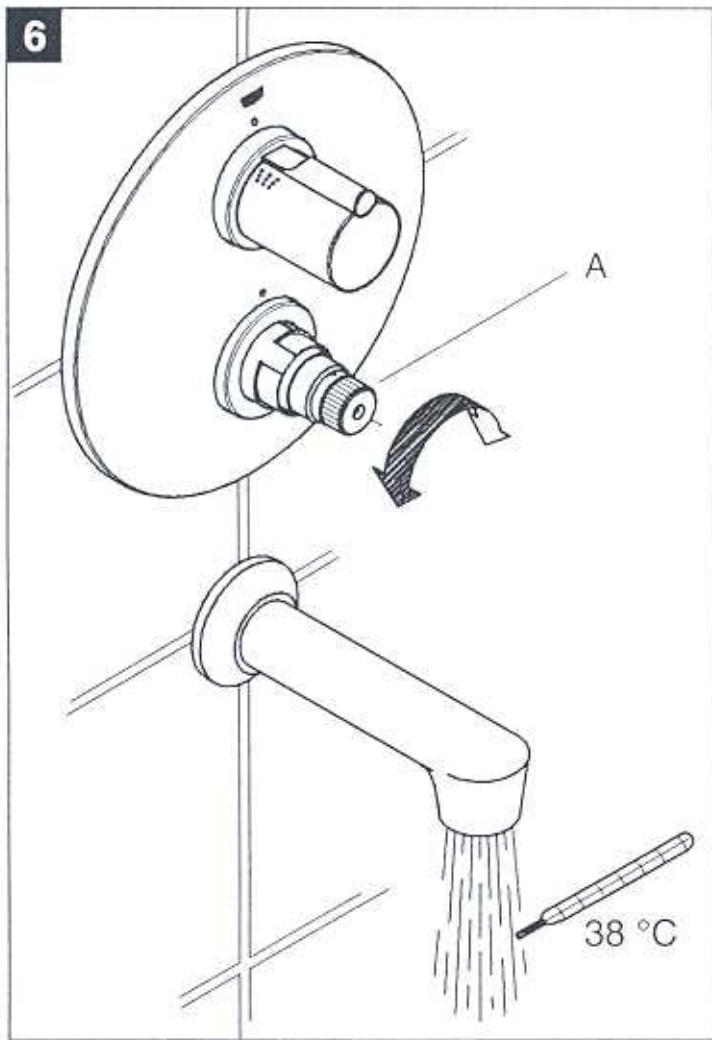
D Seite 1

GB Page 2

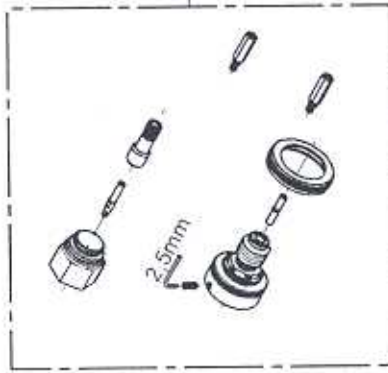
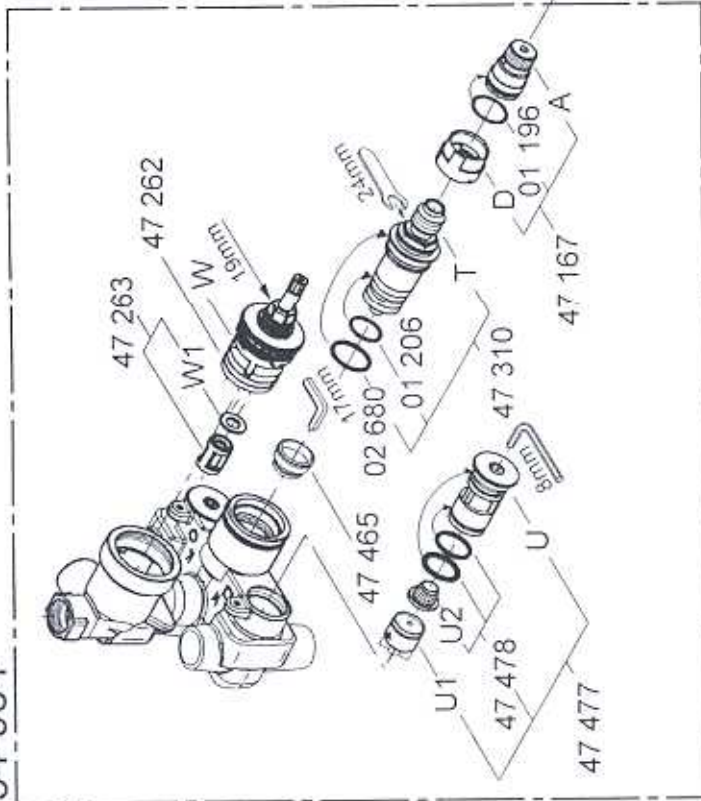


Bitte diese Anleitung an den Benutzer der Armatur weitergeben!
Please pass these instructions on to the end user of the fitting.
S.v.p remettre cette instruction à l'utilisateur de la robinetterie!





34 964

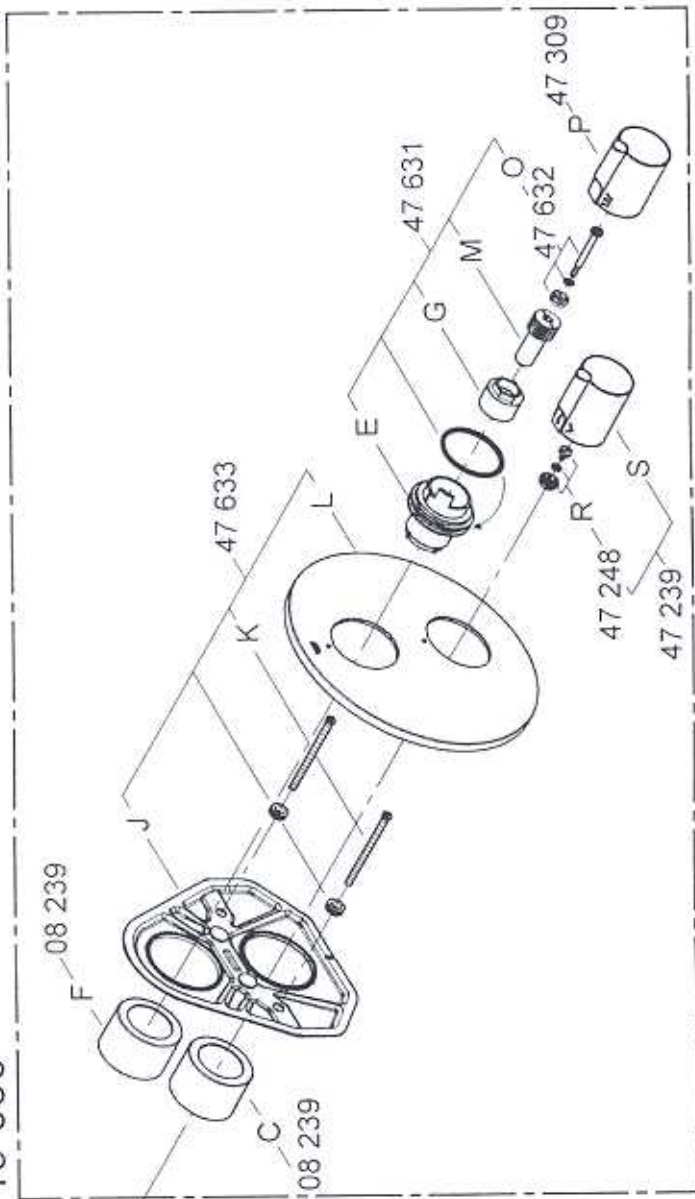


*47 379

*47 637



19 060



Installation

- Plaster and tile the wall, excluding the area occupied by the mounting template. Seal any apertures in the wall so that they are watertight to spray water.
 - Tiles laid in mortar should be pointed so that the joint is tapered towards the outside.
 - Seal prefabricated walls with a permanently plastic compound.
- Remove the mounting template, see fold-out page I fig. [1].
- Unscrew adjusting nut (A). Detach stop ring (B).
- Install sleeve (C), fit stop ring (D) provided with marking (D1) facing right, see fig. [2].
- Reinstall adjusting nut (A).

Installing the escutcheon with flow control knob, see figs. [3], [4] and [5].

- Fit holder (E) with marking (E1) facing upwards and secure with bush (G) with 19mm socket wrench, instal sleeve (H), see fig. [3].
- Grease the seals (H) for the escutcheon mounting bracket (J) with the special grease supplied and install escutcheon mounting bracket (J) with mounting assembly (K), see fig. [4].
- Fit the escutcheon (L).

If the thermostat has been installed at too great a depth, this can be adjusted by 27.5mm with an extension set (see fold-out page II, ref. No. 47 637).

- Fit splined adapter (M), see fig. [5].
- Turn splined adapter (M) to the right (water discharge from the bath spout) until it reaches the end stop. Remove splined adapter (M) and fit again so that one of the marks (M1) point upwards.
- Fit mounting assembly (O).
- Turn splined adapter (M) 180° to the left (2nd mark (M1) is at the top, water stops flowing).
- Fit the shut-off knob (P) so that the button (P1) is at top.

In this process, take care to ensure that the shut-off function is effective, after closing, in both the bath spout and shower outlet positions.

Shut-off knob (P) operation.

Shut-off knob in central position	= closed
Shut-off knob clockwise	= discharge from spout
Shut-off knob anti-clockwise	= discharge from shower

[Pull button (P1)]

Adjustment

Installation of the thermostat knob and temperature adjustment, see figs. [7] and [8].

- Before the mixer is put into service if the mixed water temperature measured at the point of discharge varies from the specified temperature set on the thermostat.
 - After any maintenance operation on the thermoelement.
1. Open the shut-off valve and check the temperature of the water with a thermometer, see fig. [6].
 2. Turn the adjusting nut (A) clockwise or anticlockwise until the water temperature reaches 38 °C.
 3. Install mounting set (R), see fig. [7].
 4. Install temperature control handle (S) in such a way that the 38° mark is at top.

Reversed union (hot on right - cold on left).

Replace thermoelement (T), see replacement parts fold-out page II, ref. No. 47 379 (3/4").

Temperature limitation

The safety stop limits the temperature range to 38 °C.

If a higher temperature is desired, the 38 °C limit can be overridden by pulling the button (S1).

Prevention of frost damage

When the domestic water system is drained, thermostat mixers must be drained separately, since non-return valves are installed in the hot and cold water connections.

The complete thermostat assemblies and non-return valves must be unscrewed and removed.

Maintenance

For maintenance, see fold-out page II and figs. [8], [9].

Inspect and clean all parts, replace if necessary and grease with special valve grease (ref. No. 18 012).

Shut off cold and hot water supplies.

I. Thermoelement

1. Pull off temperature control handle (S).
2. Remove adjusting nut (A).
3. Pull off stop ring (D).
4. Unscrew and remove thermoelement (T) with a 24mm open-ended spanner

Readjustment is necessary after every maintenance operation on the thermoelement (see Adjustment).

II. Non-return valve

1. Pull off temperature control handle (S) and shut-off knob (P).
2. Detach escutcheon (L) see fig. [8].
3. Remove screws (K) and escutcheon mounting bracket (J).
4. Unscrew and remove non-return valve (U) with 8mm socket spanner.
5. Remove non-return valve (U1) and filter (U2).

III. Aquadimmer

1. Proceed as for maintenance of non-return valve, points 1-3.
2. Remove mounting assembly (O) and splined adapter (M).
3. Unscrew and remove bush (G) with 19mm socket wrench, pull off sleeve (F) and holder (E).
4. Unscrew and remove aquadimmer (W) with a 19mm key.

Reassemble in reverse order.

Observe the correct installation position!

In this connection, take care to ensure that the semicircular locating flanges (X) projecting from the aquadimmer unit are not misaligned, see fig. [9].

If necessary fix washer (W1) with a little grease, see fold-out page II.

Replacement parts, see fold-out page II (* = special accessories).

Care

For directions on the care of this fitting refer to the accompanying Care Instructions.