

Ideal Standard

CERALINE

Single Lever & Dual Control Bathroom Fittings

INSTALLATION INSTRUCTIONS

BC184XX – Basin Pillar Tap (Pair)
BC185XX – One Hole Mini Basin Mixer
BC186XX – One Hole Basin Mixer
with Clicker Waste
BC187XX – Bath Pillar Tap (Pair)

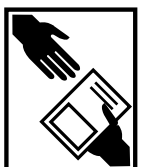
BC188XX – Two Hole Bath Filler
BC189XX – Two Hole Bath Shower Mixer
BC190XX – One Hole Bath Filler
BC191XX – One Hole Bath Shower Mixer



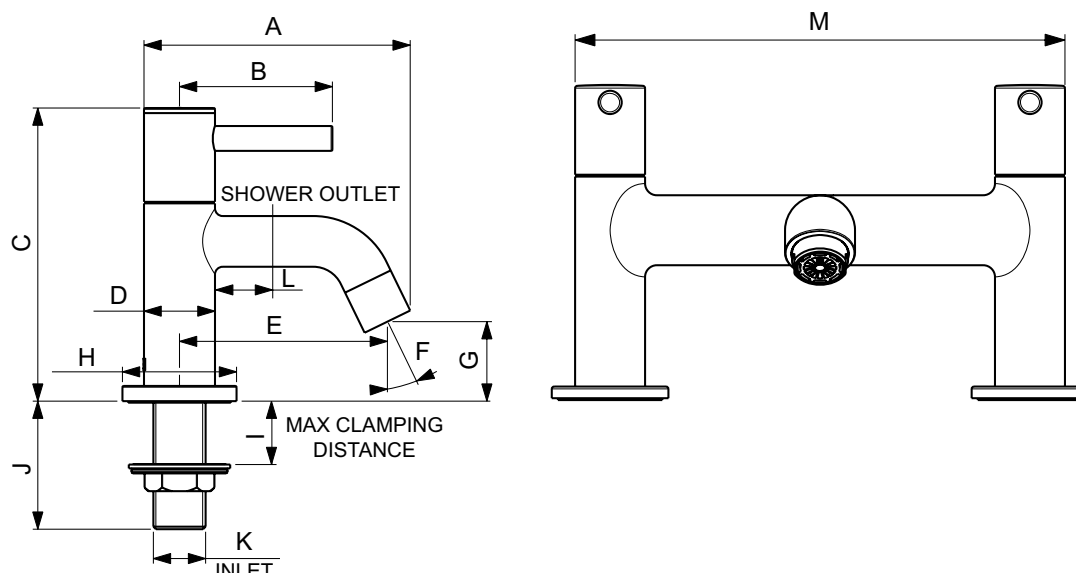
IMPORTANT
BEFORE CONNECTION, FLUSH WATER THROUGH PIPEWORK TO REMOVE
ALL DEBRIS ETC. WHICH COULD DAMAGE THE VALVE MECHANISM

IMPORTANT
Product BC185XX is intended for special cases.
All requirements of EN 817 are covered, except for D1(min. 90mm)

INSTALLER: After installation please pass this instruction booklet to user



2 PRODUCT DIMENSIONS & INFORMATION



SKU	BC184AA	BC185AA	BC186AA	BC187AA	BC188AA	BC189AA	BC190AA	BC191AA
Dim (mm)								
A	105	111	131	110	138	138	186	186
B	60	84	84	81	40	40	85	85
C	116	139	147	127	134	134	158	158
D	Ø 28	Ø42	Ø42	Ø34	Ø30	Ø30	Ø47	Ø47
E	82	80	100	82	114	114	154	154
F	26°	40°	40°	24°	40°	40°	40°	40°
G	27	68	76	29	56	56	68	68
H	Ø45	Ø50	Ø50	Ø51	Ø50	Ø50	-	-
I	30	30	30	30	40	40	40	40
J	51	350	350	51	49	49	350	350
K	G1/2	G3/8	G3/8	G3/4	G3/4	G3/4	G1/2	G1/2
L	-	-	-	-	-	60	-	-
M	-	-	-	-	180	180	-	-

SKU	MIN. OPERATING PRESSURE (bar)	FLOW STRAIGHTENER FITTED	PCA 5L/min FITTED	INLET PIPE CONNECTION TYPE	FLEXIBLE TAILS
BC184AA	0.2	✓	-	15 mm	-
BC185AA	0.2	In the box	✓	15 mm	✓
BC186AA	0.2	In the box	✓	15 mm	✓
BC187AA	0.5	✓	-	22 mm	-
BC188AA	0.2	✓	-	22 mm	-
BC189AA	0.2	✓	-	22 mm	-
BC190AA	1.0	✓	-	15 mm	✓
BC191AA	1.0	✓	-	15 mm	-

Back Flow prevention

Hot & cold water supply pressures should be reasonably balanced, however, when installing mixers, check valves must be installed on hot & cold water supply to prevent the possibility of back flow under any conditions.

Inline service valves

Service valves should be fitted into hot & cold supply pipes feeding each product. Ideal service valves have a combination of features, including isolator, strainer & check valve.

The fittings covered by this installation and maintenance instruction should be installed in accordance with the water regulations published in 1999*, therefore Ideal Standard would strongly recommend that these fittings are installed by a professional installer

* A guide to the water Supply (Water Fittings Regulations 1999 and the Water Byelaws 2000, Scotland is published by WRAS (Water Regulations Advisory Scheme) Unit 13, Willow Road, Pen-y-Fan Industrial, Crumlin, Gwent, NP11 4EG.
ISBN 0-9539708-0-9

3 FIXATION

Installation

Flush water through the pipework before connecting the fittings.

Insert the fitting through the tap hole ensuring the O-ring seal or gasket is positioned above the tap platform and is seated evenly on its top surface.

Tighten the backnuts or sleeve nuts. (Figure 1)

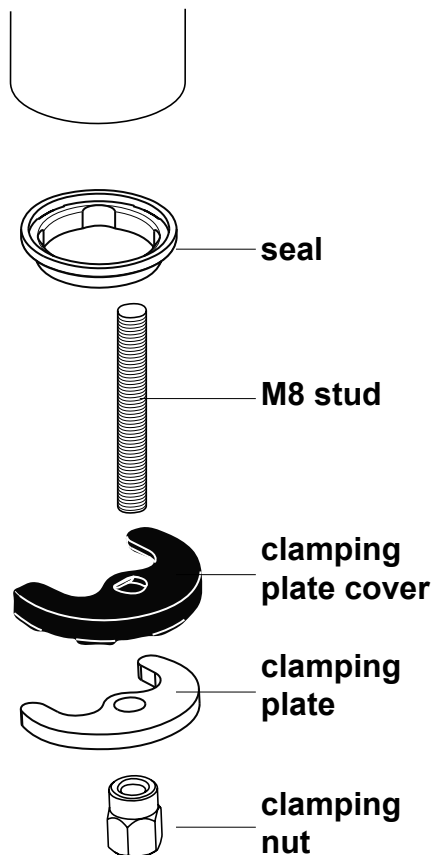


Figure 1

Figure 1 Tap hole details for S/L bath fillers BC190XX & BC191XX

The Ceraline bath fitting requires a bath supplied without tap holes. The installer will have to drill a 38mm diameter hole in the rim. Before this is done the following will have to be considered.

If located directly in line with the bath waste (plug) overflow may foul the under-parts of the fitting. If a shower screen is to be fitted it could foul the fitting.

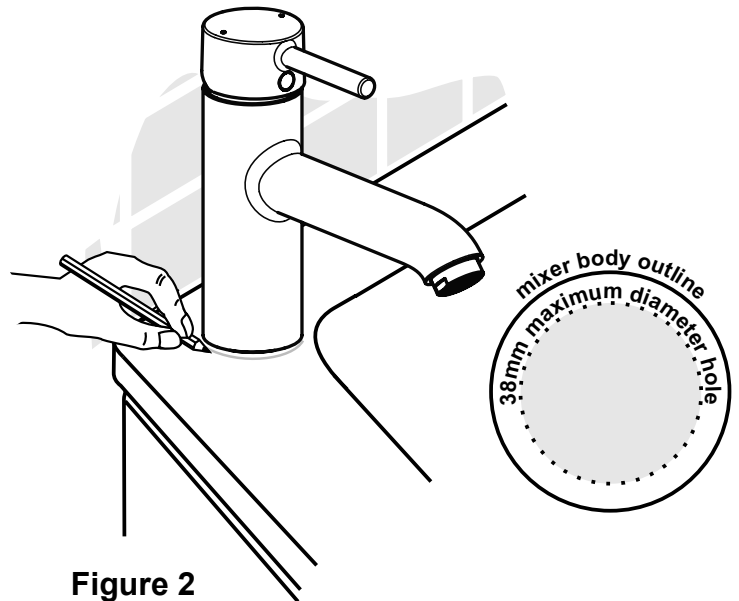


Figure 2

Before fitting, offer up the bath S/L in the intended location and check for free movement of the lever. Draw a pencil line around the base (Figure 2)

In the Center of the outline, drill the 38mm hole. (Figure 2)

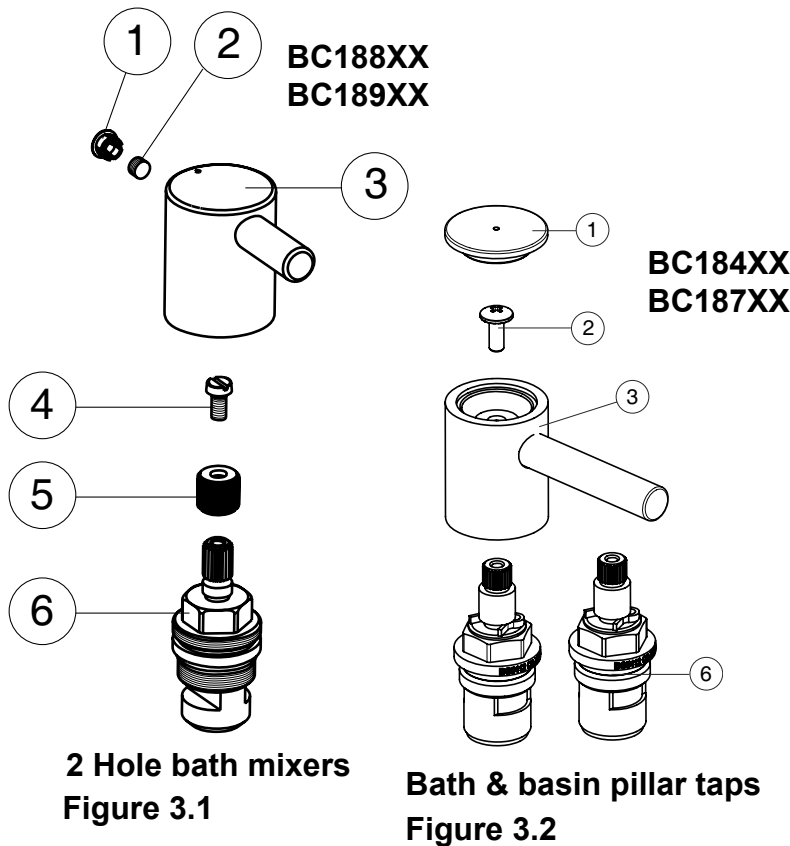
Place the seal in the groove on the underside of the fitting base.

Place the fitting concentrically in the new tap hole and ensure the seal is seated correctly on top of the bath. The plate and cover must be placed against the underneath surface of the bath tap deck. Tighten the sleeve fixation nuts until the fitting is secure. (Figure 1)

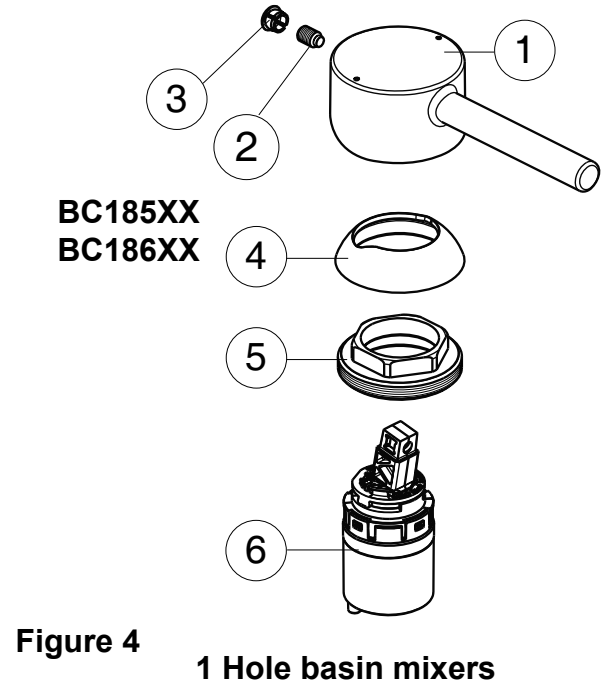
4 HANDLE FIXATION & CARTRIDGE REPLACEMENT

Always turn off water supplies before replacing a cartridge

Quarter turn cartridge



When fitting the new cartridge, care must be taken to ensure the plastic location pin on the cartridge base engages in the location hole inside the fitting body and not into one of the water inlet ports. When tightening the retaining nut which both locates and seals the cartridge, care must be taken not to over-tighten.



The pillar taps and 2 hole bath fittings employ quarter turn cartridges. These are replaced as follows:

(Refer to Figure 3.1)

Remove handle by first removing screw hole cap (1) on the handle (3). Then unscrew grab screw (2). Pull off the handle (3). Unscrew cartridge screw (4) and pull off drive insert (5). Cartridge (6) can then be unscrewed. Replace in reverse order.

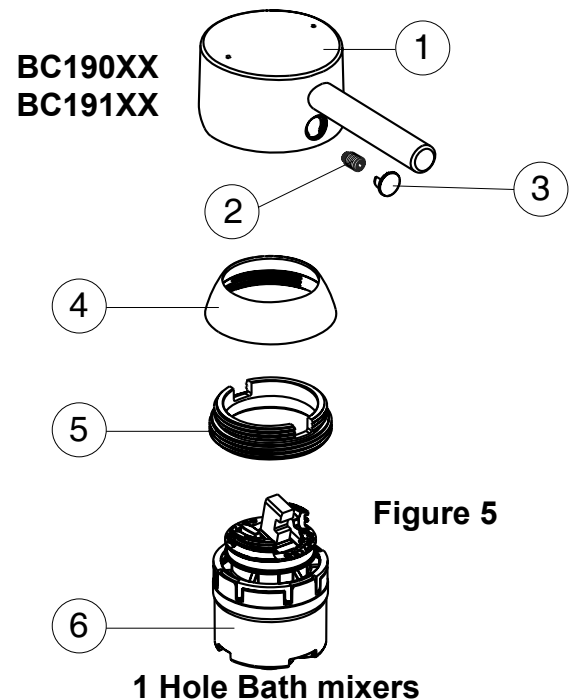
Single lever cartridge

Refer to Figure 4 & 5

Remove handle by first removing screw hole cap (3) on the handle (1). Then unscrew grab screw (2) and pull off handle body (1). Pull off shroud (4). Unscrew cartridge retaining nut (5) and lift out the cartridge (6). Replace in reverse order.

Single lever cartridge assembly

The ideal torque is 4 Nm. This is only a little more than hand tight - indeed it is possible to tighten the nut sufficiently wearing stout gloves. If over-tightened the cartridge will be stiff to operate and will have a limited life.



5 SETTING THE BLEND CONTROL

The Ceraline single lever fittings employ multiport cartridges which have a blend control mechanism. This is a simple mechanical limit stop located under the single lever handle which restricts the angle to which the handle can be rotated towards the full hot position.

To set it, the hot water system should be on and the hot water up to normal working temperature. A thermometer will be required to measure the maximum blend temperature.

Remove the handle as previously described and pull off shroud. (Figure 4&5)

The blend control stop (round shaped plastic moulding - shown shaded) can then be removed. In its factory set position "0" - shown in Figure 6 - it does not limit the lever handle movement therefore the water temperature will be at its highest. Insert the limit stop in position 4.

Operate the fitting and measure the mixed water temperature at the maximum setting. If not high enough, reposition the stop in position 3 and check the temperature again. Repeat the process until the temperature at the maximum temperature position is satisfactory. Refit the shield and handle and check that the maximum blend temperature remains unchanged.

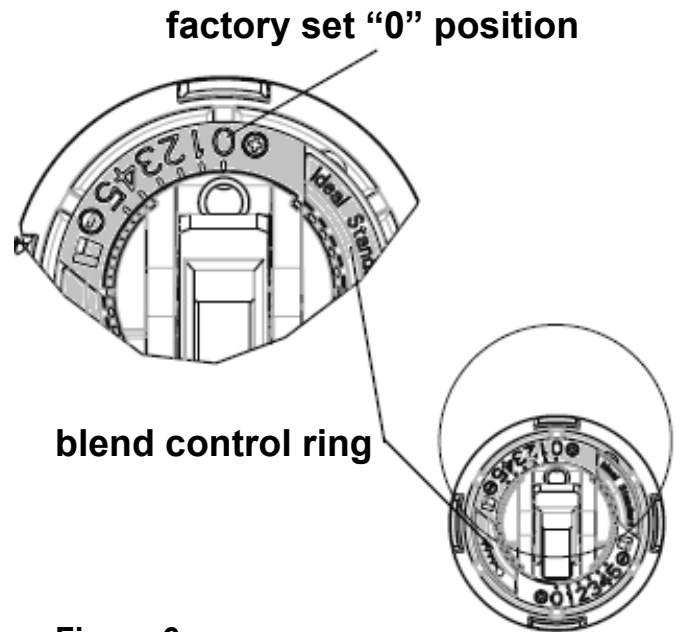
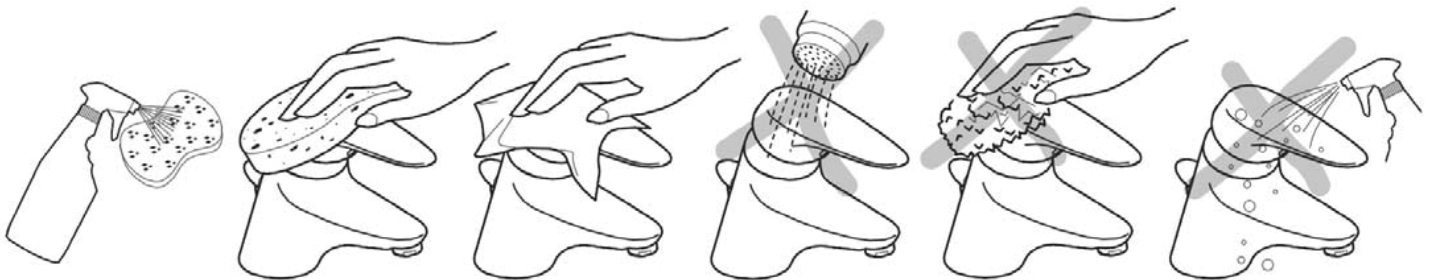


Figure 6
Setting the blend control

SAFETY FOR THE USER

The fittings are not thermostatically controlled and outlet temperatures depend on the position of the control handle, the hot and cold temperatures and pressures. If cold water supply fails for any reason, only hot water at its maximum temperature will be delivered. Before using the handspray check that the temperature of the mixed water is satisfactory. Young children, the elderly and infirm should be supervised when using the bath or handspray.

CLEANING SURFACES



When cleaning products use only a mild detergent, rinse & wipe dry with a soft cloth. Ideally clean after each use to maintain appearance.



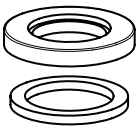
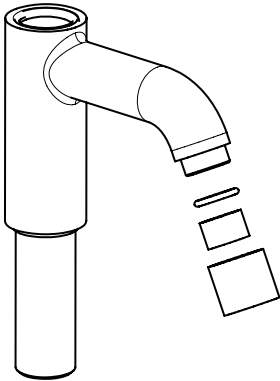
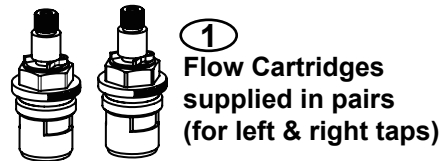
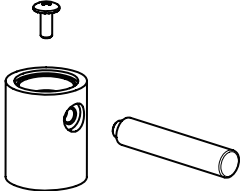
Never use abrasive, scouring powders or scrapers. Never use cleaning agents containing alcohol, ammonia, hydrochloric acid, sulphuric acid, nitric acid, phosphoric acid, organic solvents or disinfectants.

Use of incorrect cleaning products / methods may result in surfaces damage which is not covered by the manufacturer's guarantee.

6 SPARE PARTS

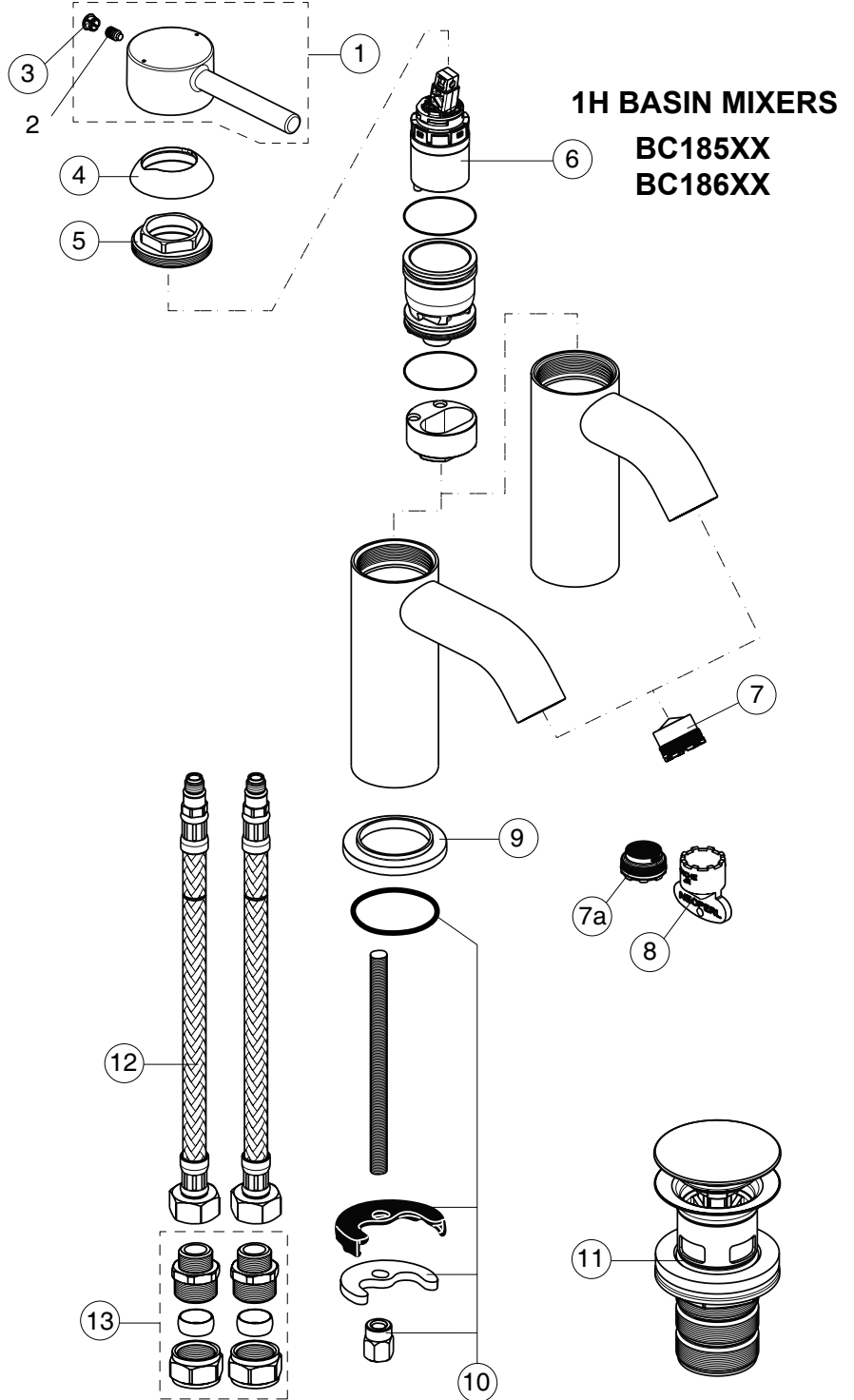
BATH & BASIN PILLAR TAPS

BC184XX
BC187XX



Flow regulators with basin pillar taps only. Pair supplied in a bag rated 6L/min. Fit if required.

1. Flow Cartridges (bath & basin)
G1/2" B961534NU (pair)



1H BASIN MIXERS

BC185XX
BC186XX

For XX=Coverage-Designate:
AA=chrome, XG=silk black

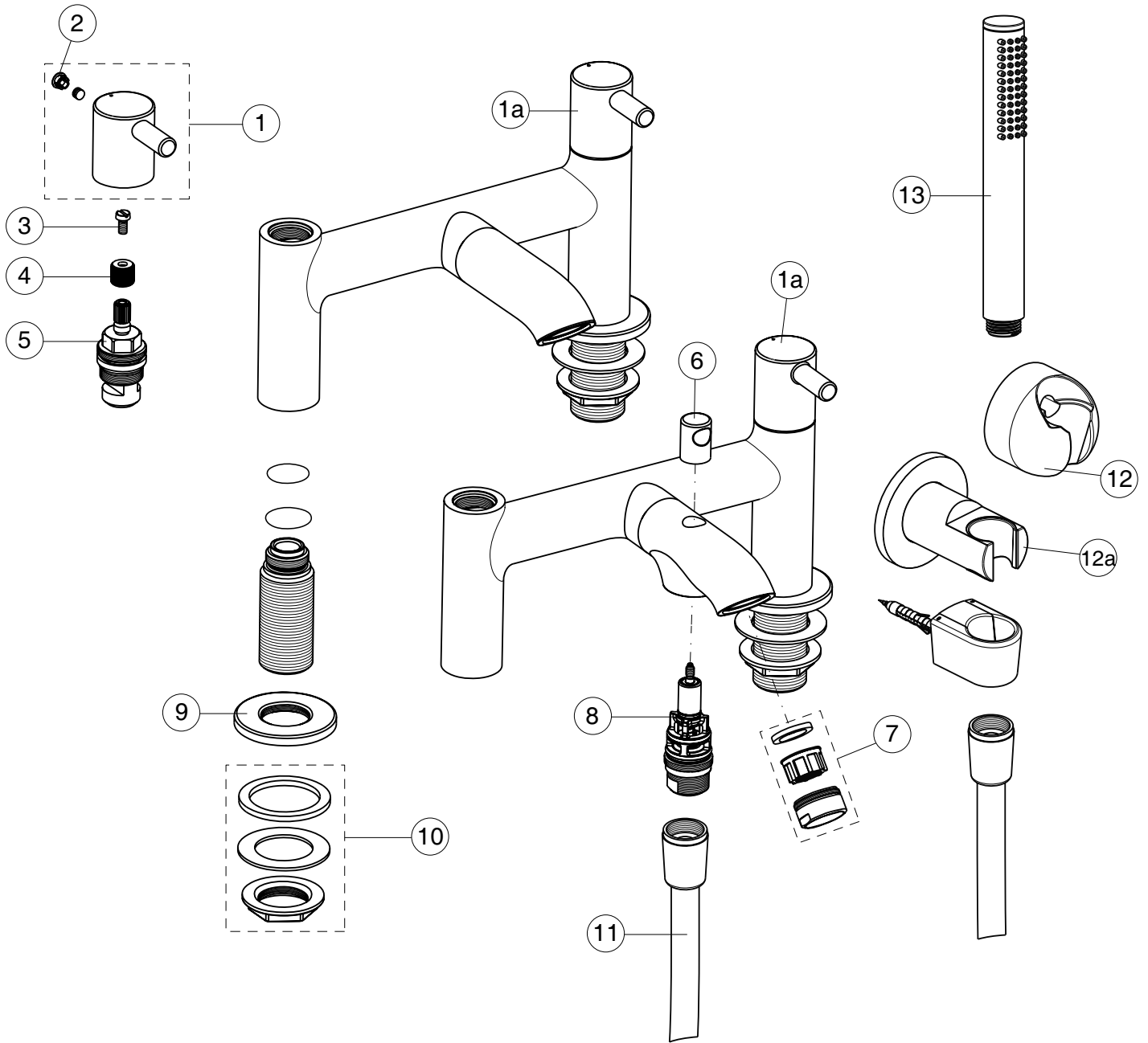
For Instance:
B961706AA for chrome

Pos.	Signify	Spare parts-Nr.	Quantity	Pos.	Signify	Spare parts-Nr.	Quantity
1	Lever, w/logo-set	B961706XX	1 Pcs.	7a+8	Neoperl M21.5x1-5 l/min	B960889NU	1 Pcs.
2	Screw M5x8		1 Pcs.	8	Service key	B960654NU	1 Pcs.
3	Block cap	A961157XX	1 Pcs.	9	Rosette decorative	B960712XX	1 Pcs.
4	Cover cap	A861080XX	1 Pcs.	10	Connecting set	B964702NU	1 Set
5	Screw M38x1.5	B961645NU	1 Set	11	Click waste	E1482XX	1 Pcs.
6	Cartridge Ø28mm	A861397NU	1 Pcs.	12	Fl.hose G3/8/M8x1 /L500	B960221NU	1 Pcs.
7	Flowstr.cache M21.5x1	A960191NU	1 Pcs.	13	Connector G3/8.Ø15	B960845NU	1 Set

7 BATH FILLER AND BATH SHOWER MIXER

BC188XX

BC189XX



For XX=Coverage-Designate:

AA=chrome,XG=silk black

For Instance:

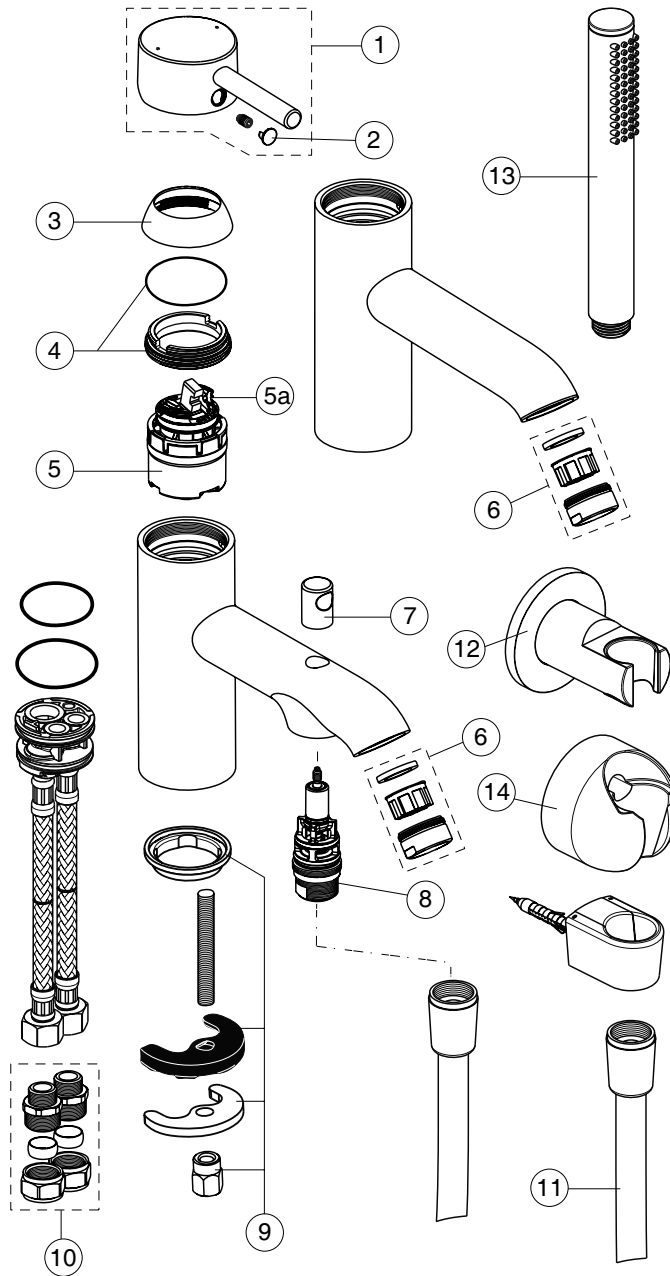
B961523AA for chrome

Pos.	Signify	Spare parts-Nr.	Quantity	Pos.	Signify	Spare parts-Nr.	Quantity
1	Handle(Red)-set	B961523XX	1 Pcs.	9	Rosette	B961145XX	1 Pcs.
1a	Handle(Blue)-set	B961524XX	1 Pcs.	10	Connecting set	B960471NU	1 Set
2	Block cap	A961157XX	1 Pcs.	11	Flexible hose G1/2 /L1800	A963173NU*	1 Pcs.
3	Screw M4x8	B960223NU	2 Pcs.		Flexible hose G1/2 /L1750	A4109XX**	1 Pcs.
4	Insert	B961326NU	1 Pcs.	12	Wall bracket fixed	B9467XX*	1 Pcs.
5	Cartridge G1/2"-90°-R	H960104NU	1 Pcs.	12a	Wall bracket	BC806XX**	1 Pcs.
	Cartridge G1/2"-90°-L	H960136NU	1 Pcs.	13	Handspray	BC774XX	1 Pcs.
6	Pull knob	B960486XX	1 Pcs.				
7	Nozzle	A961625XX	1 Pcs.				
8	Diverter automatic	B960169XX	1 Pcs.				

* for BC189AA ** for BC189XG

8 PARTS - BATH FILLER AND BATH SHOWER MIXER

BC190XX
BC191XX



For XX=Coverage-Designate:

AA=chrome, XG=silk black

For Instance:

B961521AA for chrome

Pos.	Signify	Spare parts-Nr.	Quantity	Pos.	Signify	Spare parts-Nr.	Quantity
1	Lever, w/logo-set	B961521XX	1 Pcs.	8	Diverter automatic	B960169XX	1 Pcs.
2	Cap decorative	B960473AA	1 Pcs.	9	Connecting set	A964520NU	1 Set
3	Rosette M38x1.5	B961373XX	1 Pcs.	10	Connector G3/8, Ø15	B960845NU	1 Set
4	Screw M41x1.5/M38x1.5	B961374NU	1 Pcs.	11	Flexible hose G1/2 /L1800	A963173NU	1 Pcs. (for BC191AA)
5	Cartridge Ø38mm	A861156NU*	1 Pcs.		Flexible hose G1/2 /L1750	A4109XX	1 Pcs.
5a	Hot limit stop	A861181NU	1 Pcs.	12	Wall bracket	BC806XX	1 Pcs.
6	Nozzle	A961625XX	1 Pcs.	13	Handspray	BC774XX	1 Pcs.
7	Pull knob	B960486XX	1 Pcs.	14	Wall bracket fixed	B9467AA	1 Pcs.

*Universal set (not all parts needed)

CUSTOMER CARE HELP LINE

0870 129 6085

CUSTOMER CARE FAX

01482 499611

E-MAIL

UKcustcare@idealstandard.com



Ideal Standard International NV
Corporate Village - Gent Building
Da Vincilaan 2
1935 Zaventem
Belgium

www.idealstandardinternational.com

Ideal Standard pursues a policy of continuing Improvement in desing and performance of its products. The right is therefore reserved to vary specification without notice.

Ideal Standard is a division of Ideal Standard (UK) Ltd.

Ideal Standard,
The Bathroom Works, National Avenue
Kingston-upon-Hull, HU5 4HS, England

0123 / B565111