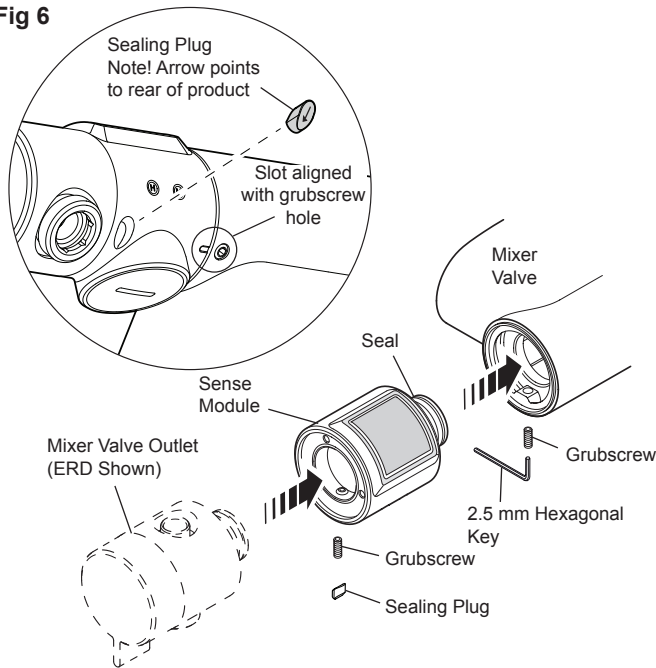


5. Fit the Sealing Plug into the Sense module grubscREW hole. The arrow on the plug should be visible and pointing to the rear of the product. See fig 6.

**Note! The sealing plug MUST be fitted correctly to prevent water ingress into the Sense module, failure to do so may result in product malfunction and will not be covered by the guarantee.**

Fig 6



### Sense Module Installation

## Maintenance

### Battery Change

1. Use a large flat bladed screwdriver or coin to unscrew the battery lid from the Sense module.
2. Remove the battery from the battery compartment.
3. Fit the battery (in the orientation shown in fig 4) into the battery compartment and retighten the battery lid.
4. Refer to section 'Sense Module Initialisation' to set the clock.

**Important!** When the battery has reached the end of its serviceable life, make sure it is disposed of in a safe manner, in accordance with current local authority recycling, or waste disposal policy.

### Spare Parts

**1736.845** - Sense Component Pack (Battery, Battery Cap and Sealing Plug)

### Cleaning

Many household cleaners contain abrasives and chemical substances, and should not be used for cleaning plated or plastic fittings. These finishes should be cleaned with a mild washing up detergent or soap solution, and then wiped dry using a soft cloth.

**Do not** use descalents on this product.

## CUSTOMER SERVICE

### Guarantee

Your product has the benefit of our manufacture's guarantee which starts from date of purchase.

To activate this guarantee, please return your completed registration card, visit our website or free phone 0800 0731248 within 30 days of purchase (UK only).

Within the guarantee period we will resolve defects in materials or workmanship, free of charge, by replacing parts or product as we may choose.

**This guarantee is in addition to your statutory rights and is subject to the following conditions :**

The guarantee applies solely to the original installation under normal use and to the original purchaser only.

The product must be installed and maintained in accordance with the instructions given in this guide.

Replacement under this guarantee does not extend the original expiry date. The guarantee on any replacement parts or product ends at the original expiry date.

### The guarantee does not cover:

Non product faults (such as damage or performance issues arising from incorrect installation, improper use, inappropriate cleaning, lack of maintenance, build up of limescale, frost damage, corrosion, system debris or blocked filters) or where no fault has been found with the product.

Water or electrical supply, waste and isolation issues.

Compensation for loss of use of the product or consequential loss of any kind.

General wear and tear.

Accidental or wilful damage.

Products purchased ex-showroom display.

### What to do if something goes wrong

If your product does not function correctly when you first use it, check that it is installed and commissioned in accordance with the instructions in this manual.

If this does not resolve the issue, contact us for help and advice.

### Helpdesk Service

Our Customer Services Team is comprehensively trained and can offer help and advice, spare parts and accessories.

We will need you to have your model name or number and date of purchase.

### Mira Showers Website

([www.mirashowers.co.uk](http://www.mirashowers.co.uk))

From our website you can download additional user guides, diagnose faults, purchase our full range of accessories and popular spares and refer to our FAQ's.

### Spares and Accessories

We hold the largest stocks of genuine Mira spares and accessories.

Contact us for a price or visit our website to purchase items from our accessory range and popular spares.

### To Contact Us

UK

**Telephone: 0844 571 5000**

Email: Visit [www.mirashowers.co.uk/contactus](http://www.mirashowers.co.uk/contactus)

**Fax: 01242 282595**

By Post: Mira Customer Services Dept, Cromwell Road, Cheltenham, Gloucestershire GL52 5EP

Eire only

**Telephone: 01 531 9337**

Email: [CustomerServiceEire@mirashowers.com](mailto:CustomerServiceEire@mirashowers.com)

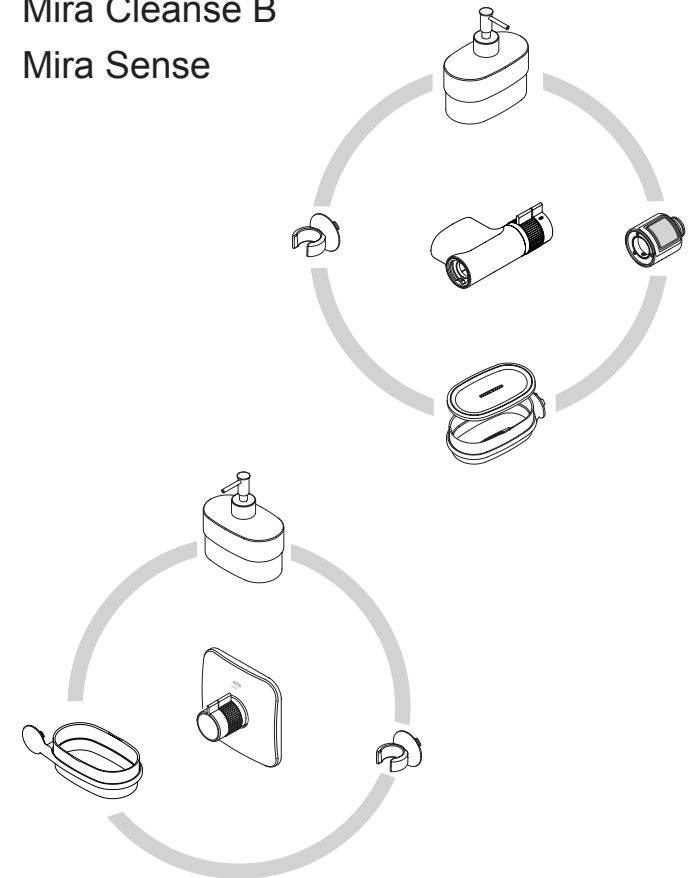
Mira Store

Mira Park

Mira Cleanse

Mira Cleanse B

Mira Sense



These instructions must be left with the user

Mira is a registered trade mark of Kohler Mira Limited.

The company reserves the right to alter product specifications without notice.

[www.mirashowers.co.uk](http://www.mirashowers.co.uk)

**mira**  
SHOWERS

Installation and User Guide

*Showering perfection*

**mira**  
SHOWERS

## Accessory Ring / Parking Socket

### Installation

1. Carefully prise off the Concealing Cap from the mixer valve outlet.
2. Orientate the Accessory Ring or Parking Socket so that the arrow on the plastic component is pointing upwards. See fig 1.
3. Push into the valve/outlet and twist clockwise until the accessory locks into position with the mixer valve outlet (Agile / Pronta) or water outlet (Adept). See fig 1 and 2.
4. Place the soap dish, pot or soap dispenser into the accessory ring.
5. Use the Parking Socket as an alternative mount for the Showerhead.

Fig 1

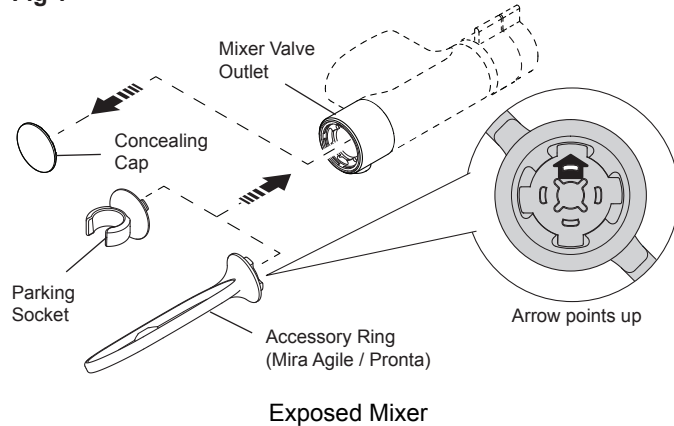
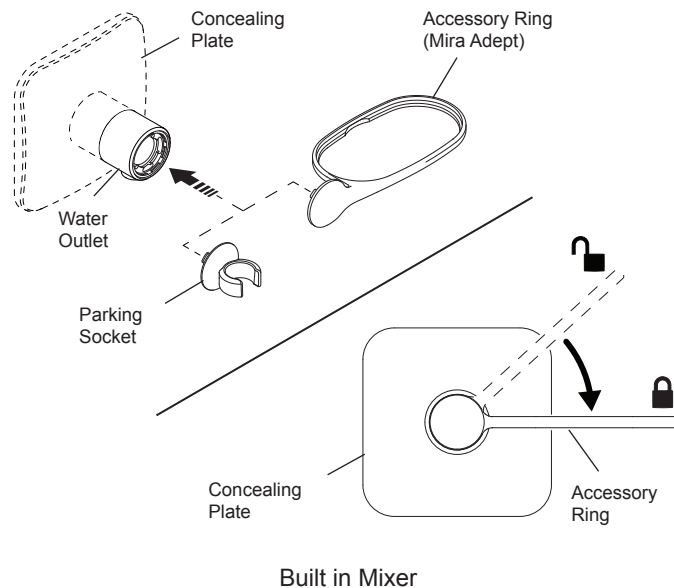


Fig 2

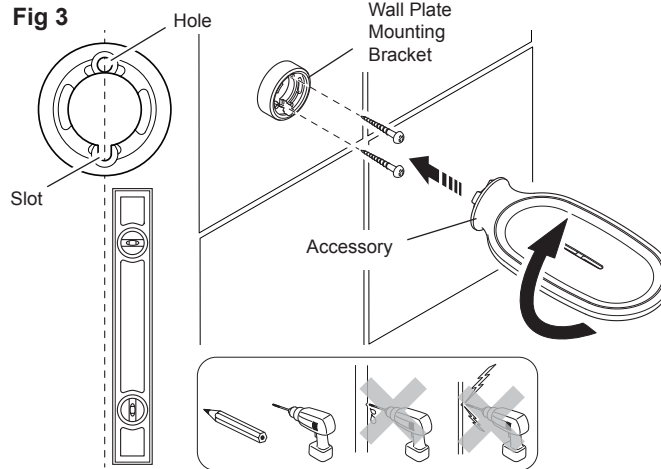


## Wall Mount Installation

Special consideration should be given to the fixing arrangements when installing onto a dry lined, stud partition, shower cubicle or laminated panel wall structures. Installers may wish to obtain alternative proprietary cavity fixings, or choose other options, however these methods of fixing are beyond the scope of this guide.

1. With the hole at the top, place the Wall Plate Mounting Bracket in a suitable position. See fig 3.
2. Mark the holes for the mounting bracket vertically.
3. Drill two holes to suit the wall fixings.
4. Screw the mounting bracket to the wall using the screws supplied.
5. Follow steps 2 - 5 as detailed on the previous page.

Fig 3



### Spare Parts

1736.846 - Accessory Component Pack

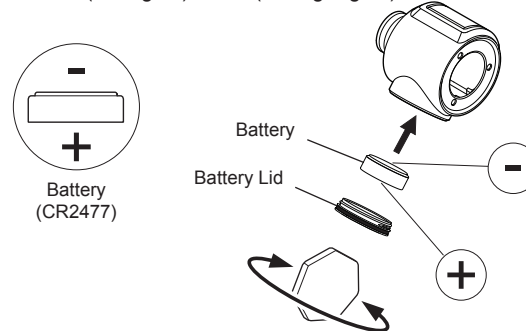
### Sense Module

#### Initialisation

**Note!** The Sense Module is not suitable for the Mira Agile Single Control.

1. Use a coin to unscrew the battery lid from the Sense module.
2. Fit the battery (in the orientation shown in fig 4) into the battery compartment and retighten the battery lid. The Sense module will now enter **Auto Update mode** for 3 minutes. During this time, radio signal strength will be indicated on the screen between 0 (No signal) and 3 (Strong Signal).

Fig 4




Successful synchronisation will occur with a signal strength consistently between 2 and 3.

3. Setting the time:

**Auto Update Mode** - The Sense module will enter auto update mode under the following conditions:

- When the battery is inserted
  - When the Sense module clock reaches 3 am daily
  - **Note!** If the module attempts to update at 3pm the clock has been set incorrectly
  - When both the 'H' and 'M' buttons are pressed simultaneously.
- The module uses a radio signal to automatically set the time.

Whilst synchronisation is attempted the symbol  will be displayed and signal strength will also be shown, this may take up to 3 minutes.

**Notes!** Sometimes the low power of the radio signal, geographical limitations and surrounding site conditions mean this update is not always successful. Interference from electrical equipment (mobile phones, wireless broadband routers etc.) and poor weather conditions can also affect the auto update process, under these conditions it will be necessary to set the clock manually. If synchronisation is unsuccessful the clock will flash for 10 seconds before returning to sleep mode.

The clock defaults to 12:03am.

**Manual Setup** - Push the button marked 'H' until the time is displayed. Press the button until the correct hour is displayed.

Push the button marked 'M' and repeat the process to set the correct minutes. See fig 5.

The module automatically detects whether the shower is in use and alternately displays the showering temperature and the time.

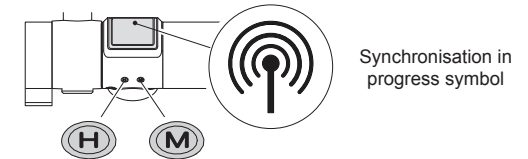
**Notes!** Temperature reading is an indication only (accuracy and responsiveness are reduced below 30°C).

If the shower is not in use the display will switch off and the module will return to sleep mode.

If the module is in sleep mode pushing either of the buttons will briefly display the time.

The Sense module has a power saving mode, if display turns off during use simply turn shower off and back on to reset display.

Fig 5



### Installation

1. Install the mixer valve first - refer to "Installation Procedure" in the Mira Agile & Mira Pronta Installation and User Guide.  
**Note!** The Sense Module should be fitted during the initial installation of an Agile or Pronta ERD.
2. Unscrew the grub screw approx 4 turns. Push the module firmly into the exposed end of the mixer valve, rotating until the slot aligns with the grub screw hole (See fig 6). Take care not to damage the seal.
3. Push and hold the module in place whilst retightening the grub screw, tighten until the grub screw bites (using 2.5 mm hexagonal key), then tighten a further 1/2 turn to secure the module to the mixer valve.
4. Fit the Mixer Valve Outlet and Fittings relevant to your shower installation (EV or ERD), refer to the Fittings Installation Guide and User guide.