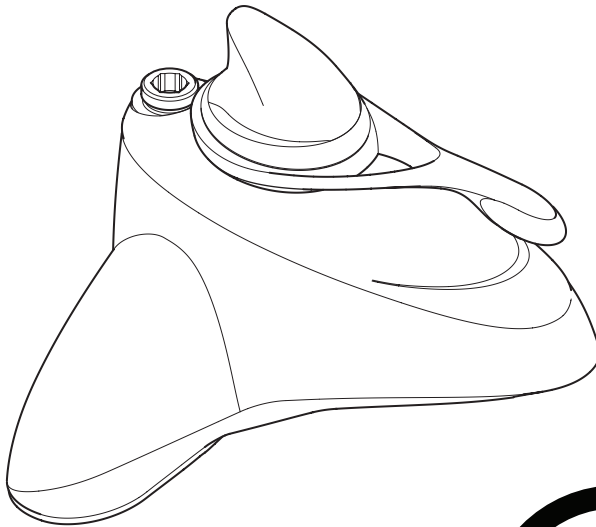


Mira Excel Thermostatic Bath and Shower Mixer



These instructions must be left with the user

Installation and User Guide

Showering perfection

mira
SHOWERS

INTRODUCTION

Thank you for purchasing a quality Mira product. To enjoy the full potential of your new product, please take time to read this guide thoroughly, having done so, keep it handy for future reference.

Type 2 Valves

This product has been certified as a Type 2 valve under the BUILDCERT TMV2 scheme. This product also complies with the water supply (water fittings) regulations 1999.

Application

The approved designations for Type 2 Valves are as follows:

Models	Designation
Mira Excel BSM	HP-SE*, HP-S, HP-T

For Type 2 Valves refer to the TMV2 Requirements Manual.

* The economy designation is achieved with the fitting of the outlet flow regulator.

Guarantee

Mira Showers guarantee the Mira Excel Thermostatic Bath and Shower Mixer against any defect in materials or workmanship for a period of **five years** from the date of purchase.

For terms and conditions refer to the back cover of this guide.

Recommended Usage

Application	
Domestic	✓
Light Commercial	✓
Heavy Commercial	✗
Healthcare	✗

Patents and Design Registration

Design Registration:	000165071-0001, 000555768-0002
Patents:	GB: 2 291 693, Germany: 695 13 455.8, France: 0 694 721 (E)
Patent Applications:	GB: 2 419 656, 0428359.4, 2 421 297A Euro: 1 672 257, 03254070.0 USA: 2006-0124758-A1, 10/607 025

DESCRIPTION

This Mira Excel BSM is a fully Thermostatic Bath and Shower Mixer, with an integral Flow control and Divertor. A patented temperature re-setting mechanism automatically reduces the maximum allowable temperature when diverting from bath to shower outlet.

For ease of installation and maintenance this product includes a separate inlet manifold which allows access to the Inlet Connections, Filters, Non-Return Valves and Flow Regulators. It includes maintenance free Cartridges: a Thermostatic Temperature Control Cartridge and a Ceramic Divertor Cartridge.

To make sure that the installation complies with Water Supply Regulations (backflow prevention) the correct type of shower fittings must be fitted.

SAFETY : WARNINGS

This Mira Excel Thermostatic Bath and Shower Mixer is precision engineered and should give continued safe and controlled performance, provided:

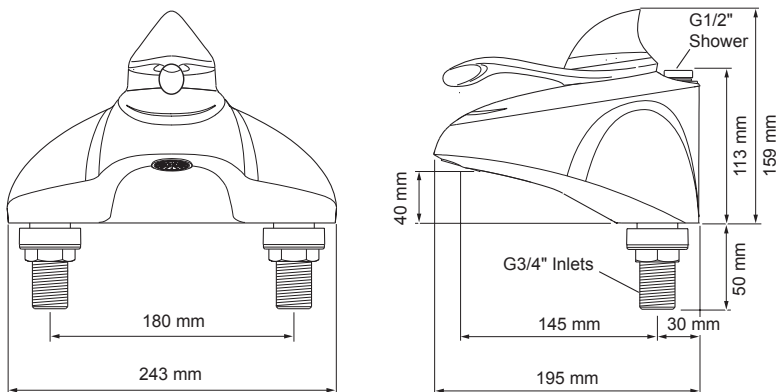
1. It is installed, commissioned, operated and maintained in accordance with manufacturer's recommendations.
2. Periodic attention is given, when necessary, to maintain the product in good functional order.

Caution!

1. Read all of these instructions.
2. Retain this guide for later use.
3. Pass on this guide in the event of change of ownership of the installation site.
4. Follow all warnings, cautions and instructions contained in this guide.
5. The function of a thermostatic mixing valve is to deliver water consistently at a safe temperature. In keeping with every other mechanism, it cannot be considered as functionally infallible and as such, cannot totally replace a supervisor's vigilance where that is necessary. Provided it is installed, commissioned, operated and maintained within manufacturers recommendations, the risk of failure, if not eliminated, is reduced to the minimum achievable.
6. Anyone who may have difficulty understanding or operating the controls of any shower should be attended whilst showering. Particular consideration should be given to the young, the elderly, the infirm or anyone inexperienced in the correct operation of the controls. This shower is not intended for use by persons (including children) with reduced physical, sensory or mental capabilities, or lack of experience and knowledge, unless they have been given supervision or instruction concerning the use of the shower by a person responsible for their safety.

7. Rapid/Excessive movement of the flow and/or temperature control levers may result in momentary unstable blend temperatures.
8. Care is required when adjusting flow or temperature, make sure that the temperature has stabilised. Sunburn or skin conditions can increase your sensitivity to hot water.
9. Make sure that you fully understand how to operate this shower and make sure that it is properly maintained in accordance with the instructions given in this manual.
10. Type 2 Valves are only used for applications covered by their approved designations, refer to the TMV2 Requirements Manual.
11. The plumbing installation must comply with the requirements of UK Water Regulations/Bye-laws (Scotland), Building Regulations or any particular regulations and practices, specified by the local water supplier. **The installation should be carried out by a plumber or contractor who is registered or is a member of an association such as:**
 - i) Institute of Plumbing (IOP), throughout the UK.
 - ii) National Association of Plumbing, Heating and Mechanical Services Contractors (NAPH & MSC), England and Wales.
 - iii) Scottish and Northern Ireland Plumbing Employers' Federation (SNIPEF), Scotland and Northern Ireland.
12. The shower head must be de-scaled regularly. Lack of regular shower head cleaning will lead to poor performance and cause early failure of the product. If necessary refer to the Shower Fittings User Guide for more information.
13. When this product has reached the end of its serviceable life, it should be disposed of in a safe manner, in accordance with current local authority recycling, or waste disposal policy.

DIMENSIONS



PACK CONTENTS



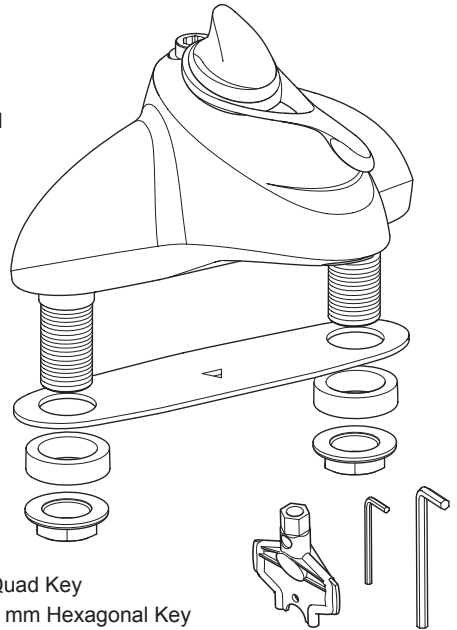
Tick the appropriate boxes to familiarize yourself with the part names and to confirm that the parts are included.

1 x Mira Excel BSM

1 x Bath Sealing Gasket

2 x Backnut Adaptors

2 x Backnuts



1 x Quad Key

1 x 3 mm Hexagonal Key

1 x 5 mm Hexagonal Key

Documentation

1 x Customer Support Brochure

1 x TMV2 Requirements Manual

SPECIFICATIONS

Connections

Inlets: 3/4" BSP Male at 180 mm centres.

The connections, when viewed from the front, are: **Hot – left, Cold – right.**

Shower Outlet: 1/2" BSP Male.

Note! It is recommended that Mira Logic Shower Fittings used with this BSM to optimise performance.

Weight

Mira Excel BSM = 6.3 Kg.

Temperature Control

Temperature selection range: full cold to full hot or max temperature limit.

Note! For your safety, the BSM is pre-set to a maximum temperature of 46°C for bath fill. When diverting from bath fill to shower mode the maximum preset temperature will be reduced by approximately 6°C. If you require bath fill at a hotter temperature refer to section: '**Commissioning, Maximum Temperature Setting**'.

Note! An increase in bath fill maximum preset temperature will increase the shower mode maximum preset temperature. We recommend that you do not increase the bath fill temperature above 48°C. (For Type 2 valves in commercial installations the maximum blend temperature is determined by the application, refer to the TMV2 Requirements Manual.

Warning! It is essential to check the maximum temperature during commissioning as the setting will change with different supply conditions.

Thermostatic Temperature Control: 35°C - 49°C

Note! Shut down to seepage is only achieved if the hot supply is 12°C above the blend temperature.

Flow Control

The BSM has an integral Flow Divertor. No other type of user accessible flow controller should be fitted to the shower outlet. Flow Regulators are fitted to the inlets and to the shower outlet to control the flow at high pressures. For pressures below 1.0 bar it is recommended that the Flow Regulators are removed, refer to section: '**Maintenance, Flow Regulator Removal**'.

Operating Parameters

For Type 2 Valves, the supply conditions specified in the TMV2 Requirements Manual take precedence over the operating parameters which follow.

Inlet Supply Pressure

Maintained Inlet Pressures: 0.2 - 5 bar

Max. Static Pressures: 10 Bar

Note! With low pressure systems (below 1 bar) it may be necessary to remove the Flow Regulators fitted to the product as supplied, refer to section: '**Maintenance, Flow Regulator Removal**'. Both hot and cold pressures should be nominally balanced within $\pm 10\%$.

Note! For combination type boilers it may be necessary to fit the flow regulator (supplied) to restrict the flow through the boiler to ensure it produces a sufficiently hot water temperature.

Inlet Supply Temperatures

Recommended Hot: 55°C - 65°C

Recommended Cold: 5°C - 20°C

Minimum recommended differential between hot supply and outlet temperature: 12°C **at desired flow rate.**

Note! The mixer can operate at temperatures up to 90°C for short periods without damage. However for safety reasons it is recommended that the maximum hot water temperature is limited to 65°C.

INSTALLATION REQUIREMENTS

Read the section '**Important Safety Information**' first.

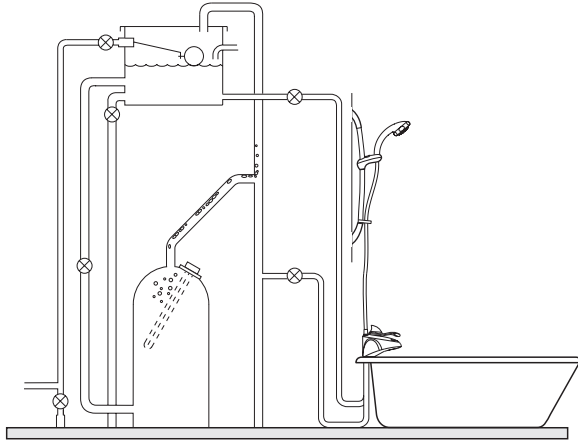
Installation must be carried out in accordance with these instructions, and must be conducted by designated, qualified and competent personnel.

1. The installation must comply with the "Water Supply Regulations 1999 (Water Fittings)" or any particular regulations and practices, specified by the local water company or water undertakers.
2. Before commencing, make sure that the installation conditions comply with the information given in section: '**Specifications**'. For Type 2 Valves see also supply conditions in the TMV2 Requirements Manual.
3. Layout and sizing of pipework **must** be such that when other services are used, pressures at the BSM inlets are maintained approximately equal and **do not** fall below the recommended minimum.
4. **Do not** install the product in a position in which service access is restricted.
5. **Do not** fit any form of flow control in the shower outlet, only Mira recommended fittings should be used.
6. **Do not** use excessive force when making connections.
7. **Do not** overtighten grubscrews as product damage may occur. Use hexagonal key provided and hand tighten only, do not use power tools.
8. **Do not** install the product in a position where it could become frozen.
9. Supply pipes **must** be flushed to clear debris before connecting the BSM.
10. Conveniently situated isolating valves **must** be fitted for servicing purposes.
11. If the BSM is to be used with a fully modulating multipoint water heater, fully modulating combination boiler, thermal store or unvented system an expansion vessel must be fitted to accommodate the expansion of water in the domestic hot water supply (this may already be part of the system, check the details on the boiler/heater or contact the boiler/heater manufacturer).
12. All pipework must be checked for leaks before the product installation is completed. The product should be pressurised and the inlet & outlet connections inspected.

Gravity fed supplies

The BSM **MUST** be fed from a **cold water storage cistern** and **hot water cylinder** providing nominally equal pressures.

Note! For gravity fed supplies you must remove the hot and cold inlet Flow Regulators and the outlet Flow Regulator to make sure that the maximum flow rate is achieved. Refer to section: '**Maintenance, Flow Regulator Removal**'.

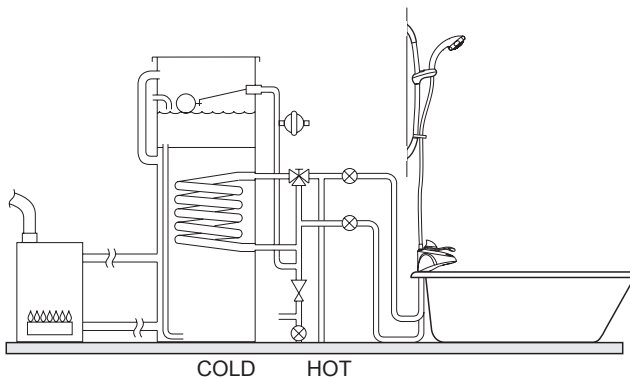


Mains pressurised instantaneous hot water supplies (thermal store)

Packages of this type, fitted with a tempering valve can be used.

A drop tight pressure reducing valve **MUST** be fitted if the supply pressures exceed 5 bar maintained.

An expansion vessel **MUST** be fitted (and regularly maintained) if any form of backflow prevention device is fitted, e.g. Non-Return Valve, PRV. This will ensure that excess expansion or pulse pressures do not damage the product or the plumbing system. The expansion vessel may already be fitted externally or internally within the thermal store (check with thermal store manufacturer).

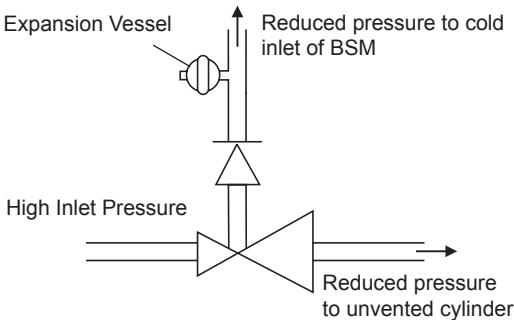
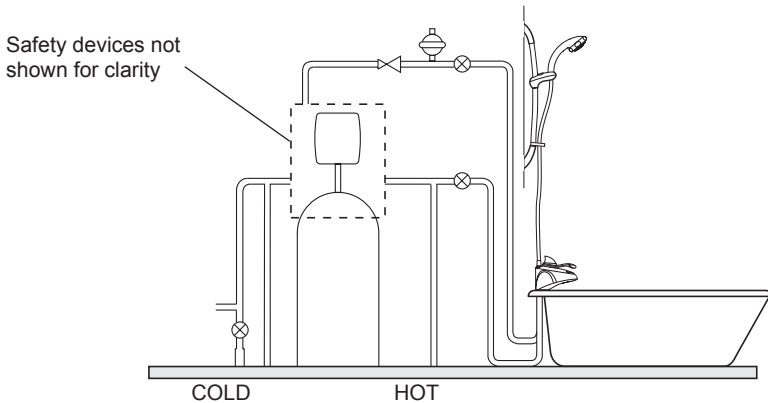


Unvented mains pressure supplies

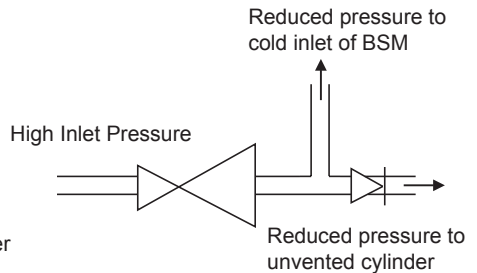
The BSM can be installed with an unvented, stored hot water cylinder. Only a "competent person" as defined by Part G of Schedule 1 of the Building Regulations may fit this type of system.

For packages with no cold water take off after the appliance reducing valve, it will be necessary to fit an additional drop tight pressure reducing valve when the mains pressure is over 5 bar. The drop tight pressure reducing valve must be set at the same value as the unvented package pressure reducing valve.

Note! An expansion vessel **MUST** be fitted (and regularly maintained) if any form of backflow prevention device is fitted, e.g. Non-Return Valve, PRV. This will ensure that excess expansion or pulse pressures do not damage the product or the plumbing system.



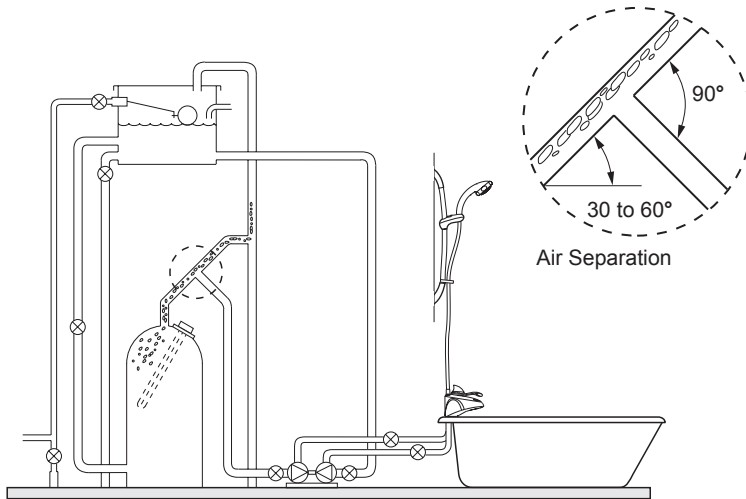
Combined outlet PRV
with internal Non-Return Valves
- Expansion vessel required.



Cold takeoff after PRV
- Expansion pressure taken up by
unvented cylinder expansion vessel.

Pumped supplies (inlet pumps)

The BSM can be installed with an inlet pump (twin impeller). The pump **MUST** be located on the floor next to the hot water cylinder. The hot water cylinder/vent pipes must be arranged as shown to achieve air separation.



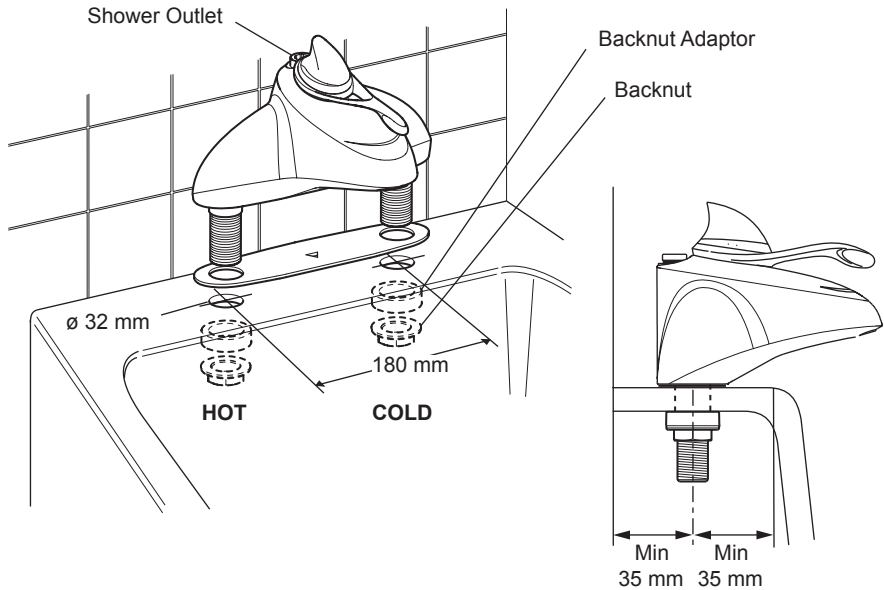
INSTALLATION

1. The Mira Excel BSM can be installed on most standard baths and deck surfaces (refer to illustration).
2. Fit the Bath Sealing Gasket to the BSM with the arrow pointing forward. Carefully position on the bath (refer to illustration).

Note! Make sure that the gasket provides an adequate seal. If the BSM overhangs the 'roll' of the bath then silicone sealant must be used.

3. Fit the two Backnut Adaptors and the two 3/4" BSP Backnuts and tighten. Take care to prevent damage to the bath.
4. Thoroughly flush out the incoming hot and cold water supplies before final connection of the BSM.
5. Connect the hot and cold water supplies to the inlets.

Important! The hot water supply **MUST** be connected to the hot inlet. This is stamped **H** on the top of the Manifold. Reversed connections could be dangerous to the person using the BSM. The connections, when viewed from the front, are: **Hot – left, Cold – right.**



6. **For low pressure systems only**, make sure that you remove the three Flow Regulators fitted to the hot and cold inlets and to the shower outlet. This will make sure that the highest possible flow rate is achieved. Refer to section: **'Maintenance, Flow Regulator Removal'**.
7. **For combination boilers only**, make sure that the Green Flow Regulator supplied installed in the hot inlet is replaced with the White Flow Regulator (supplied). Refer to section: **'Maintenance, Flow Regulator Removal'**.
8. Check the installation for any leaks. Fully open the isolating valves fitted to the supply pipework.
9. Install the Shower Fittings, refer to the appropriate section in the **Shower Fittings Installation and User Guide**.
10. Connect the Shower Hose to the shower outlet of the BSM.
11. This completes the installation of the BSM.

Note! Following the installation of your BSM commissioning checks must be carried out, refer to section: **'Commissioning'**

OPERATION

The Mira Excel BSM is fitted with a separate On / Off Flow Divertor and Temperature Control Knob which operate as follows:-

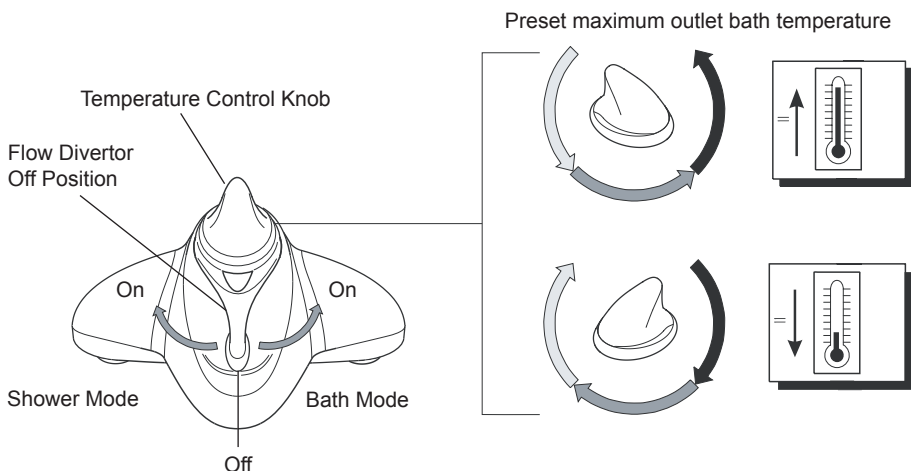
1. On / Off Flow Divertor

From the Off position, anticlockwise movement immediately turns on the flow to bath mode, full clockwise movement diverts the flow to shower mode. When diverting from bath mode to shower mode the maximum preset temperature will be reduced by approximately 6°C. When diverting from shower mode to bath mode the temperature will remain at the set showering temperature until adjusted by the temperature control. The flow rate is determined by the supply pressures at the inlets of the product control, or by the effective output power of the gas heater appliance. Flow rates for gas water heaters and combination boilers can vary typically between 8 l/min (winter) and 15 l/min (summer).

Note! An amount of water may be retained in the bath spout after the flow control has been turned off. This will drain over a short period of time.

2. Temperature Control

In either the shower or bath fill mode adjustment of temperature is achieved by clockwise rotation for cooler and anticlockwise rotation for warmer up to the preset maximum.



COMMISSIONING

Commissioning Checks

After completing the installation the following commissioning checks must be carried out:

Note! Thermostatic mixing valves with wax capsules could lose their responsiveness if not used. Valves which have been in storage, installed but not commissioned, or simply not used for some time should be exercised before setting the maximum temperature or carrying out any tests.

A simple way to provide this exercise is:

- (a) Make sure that the hot and cold water are available at the valve inlets, turn on the Flow Divertor to bath mode.
- (b) Turn the Temperature Control Knob rapidly from cold to hot and back to cold several times, pausing at each extreme.

Maximum Temperature

Note! For Type 2 installations the maximum blend temperature is determined by the application, refer to the TMV2 Requirements Manual.

The maximum blend temperature through the bath or shower outlet should be limited to prevent accidental selection of a temperature which may be too hot. All Mira thermostatic mixing valves are fully performance tested individually and the maximum temperature for the Mira Excel BSM is pre-set under ideal installation conditions at the factory to approximately 46°C for bath fill. When diverting from bath mode to shower mode the maximum preset temperature will be reduced by approximately 6°C. Site conditions may dictate that the maximum temperature has to be re-set following installation or servicing.

To check the temperature:

1. Turn the Flow Divertor Lever to bath mode and run for several minutes in order to stabilise the temperature. Make sure that the hot and cold water supplies are within Mira recommendations. Refer to section: '**Specifications**'.
2. Turn the Temperature Control Knob to the hot position (fully anticlockwise). To re-set the maximum temperature refer to section: '**Maximum Temperature Setting**'. The actual temperature may vary depending on the supply conditions.
3. Turn the Flow Divertor Lever to shower mode (Check that an adequate spray pattern is delivered from the shower head) and measure the shower temperature. This is automatically set when the Flow Divertor is turned to shower mode.
4. Turn the Flow Divertor Lever to the OFF position.

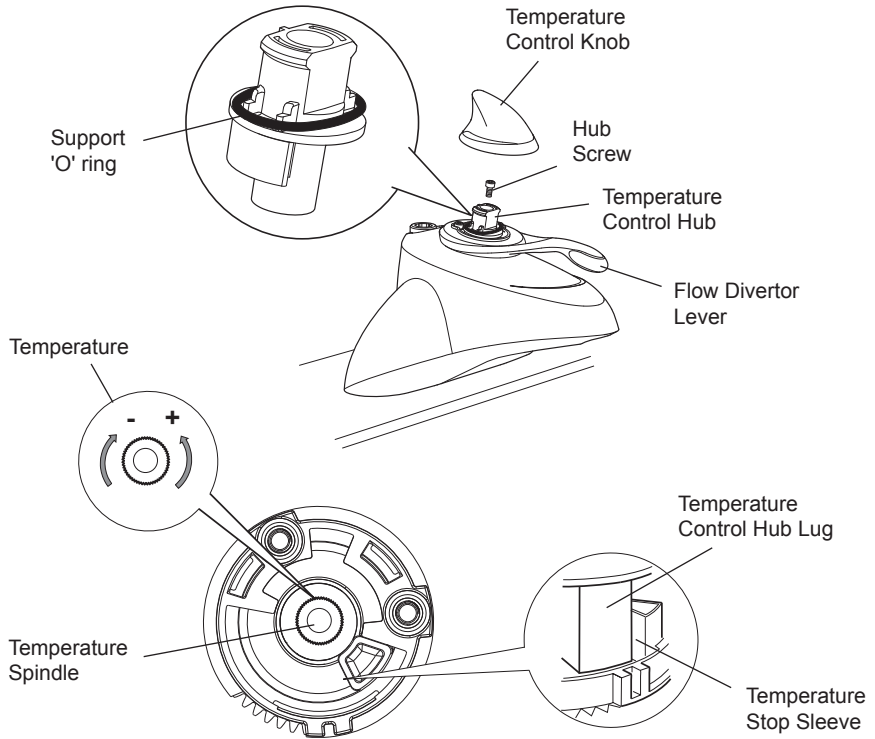
Note! Draining of residual water held in the outlet fittings, may continue for a period after the Flow is shut off.

Maximum Temperature Setting

Note! For Type 2 installations the maximum blend temperature is determined by the application, refer to the TMV2 Requirements Manual.

1. Pull off the Temperature Control Knob.
2. Remove the Hub Screw using the 3 mm hexagonal wrench (supplied) and remove the Temperature Control Hub.
3. Rotate the Flow Divertor Lever to bath mode.
4. Rotate the Cartridge Temperature Spindle using the Temperature Control Hub until the desired bath outlet temperature is obtained from the bath spout. **(clockwise = decrease temperature).**
5. Once the desired maximum blend temperature has been achieved (46°C is recommended for bath fill), refit the Temperature Control Hub without disturbing the Spindle, positioning the Hub such that the lug on the Temperature Hub is against the left hand side of the Temperature Stop Sleeve (refer to illustration). Check that the blend temperature has not altered, refit and tighten the Hub Locking Screw.
6. Replace the Temperature Control Knob.

Note! Ensure the Support 'O' ring is refitted as illustrated below.



Maximum Temperature Setting

FAULT DIAGNOSIS

Read the section: **Important Safety Information** first.

Provided that the BSM has been correctly installed and is operated in accordance with the instructions contained in this guide, difficulties should not arise. If any maintenance is required then it must be carried out by a competent tradesperson for whom the fault diagnosis chart and maintenance instructions are provided. Before replacing any parts make sure that the underlying cause of the malfunction has been identified.

Symptom	Cause / Rectification
1. Fluctuating or reduced flow.	<ul style="list-style-type: none"> a. Check that the Inlet Filters are not blocked (refer to Maintenance' section). b. Make sure that the minimum flow rate is sufficient for the supply conditions. c. Make sure that the maintained inlet pressures are nominally balanced and sufficient. d. Make sure that the inlet temperature differentials are sufficient. e. Check the thermostatic performance. f. Flow Regulators fitted incorrectly. g. Airlock or partial blockage in pipework.
2. No flow from mixer outlet.	<ul style="list-style-type: none"> a. Make sure that the Inlet Isolating Valves are open. b. Hot or cold supply failure. Make sure that the hot and cold supplies are available to the BSM. c. Refer to symptom 2.
3. Blend temperature drift.	<ul style="list-style-type: none"> a. Make sure that the inlet valves are open. b. Hot supply temperature fluctuation. c. Supply pressures fluctuating. d. Thermal Cartridge defective. e. Inlet Filters Blocked.
4. Maximum blend temperature setting too hot or too cold.	<ul style="list-style-type: none"> a. Indicates incorrect maximum temperature setting, refer section: 'Commissioning'. b. Refer to symptom 4.
5. Flow rate too low or too high.	<ul style="list-style-type: none"> a. (Too low) Insufficient supply pressures. b. (Too low) Refer to symptom 2. c. (Too high) Supply pressure too high. d. Flow Regulators fitted incorrectly.
6. Dripping from bath or shower outlet.	<ul style="list-style-type: none"> a. Remove the Flow Divertor Cartridge and check the Cartridge Inlet Seal. Replace if damaged. b. If leak persists replace the Flow Divertor Cartridge.

Symptom	Cause / Rectification
7. Water too cold.	a. Inlet reversed (refer to ' Installation ' Section). b. Check hot filter for blockage (refer to ' Maintenance Filter Cleaning/Replacement ' Section). c. Maximum temperature setting (refer to ' Commissioning, Maximum Temperature Setting ' Section). d. If you have a combination type boiler it may not be producing sufficiently hot water at desired flow rate (refer to 'Specifications'). Fit flow regulator (supplied) to shower valve outlet. For more information contact Mira Showers or visit the website.
8. Water too hot	a. Inlet reversed (refer to ' Installation ' Section). b. Check cold filter for blockage (refer to ' Maintenance, Filter Cleaning/Replacement ' Section). c. Maximum temperature setting (refer to ' Maximum Temperature Setting ' Section).

MAINTENANCE

Mira products are precision engineered to provide satisfactory performance provided that they are installed and operated in accordance with the recommendations contained in this guide.

If you require a Mira trained engineer or agent, refer to section '**Customer Service**'. The Mira Excel BSM is designed for the minimum of maintenance in normal use. If a malfunction occurs with either the Temperature Control Cartridge or the Flow Divertor Cartridge then this will necessitate a complete Cartridge replacement.

Note! The Cartridge's contain no internally serviceable parts.

When installed in very hard water areas (above 200 p.p.m. temporary hardness) your installer may advise the installation of a water treatment device to reduce the effects of limescale formation.

Cleaning

Many household cleaners contain abrasive and chemical substances, and should not be used for cleaning plated or plastic fittings. These finishes should be cleaned with a mild washing up detergent or soap solution, and then wiped dry using a soft cloth. Do not use descalents on this product.

Lubricants

Silicone-only based lubricants can be used to assist in refitting.

Caution! Oil based or other lubricant types, may cause rapid deterioration of Seals.

Frequency of In-service Tests

Commercial (non-domestic installations)

Check for correct blend setting every 6 months.

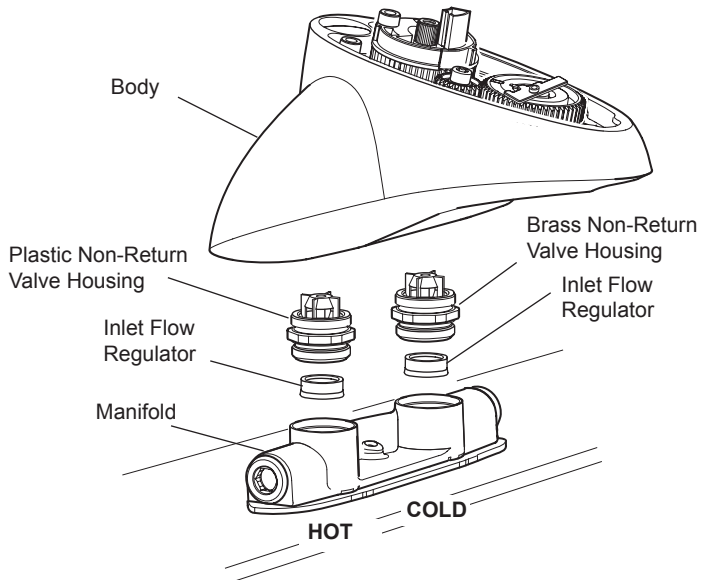
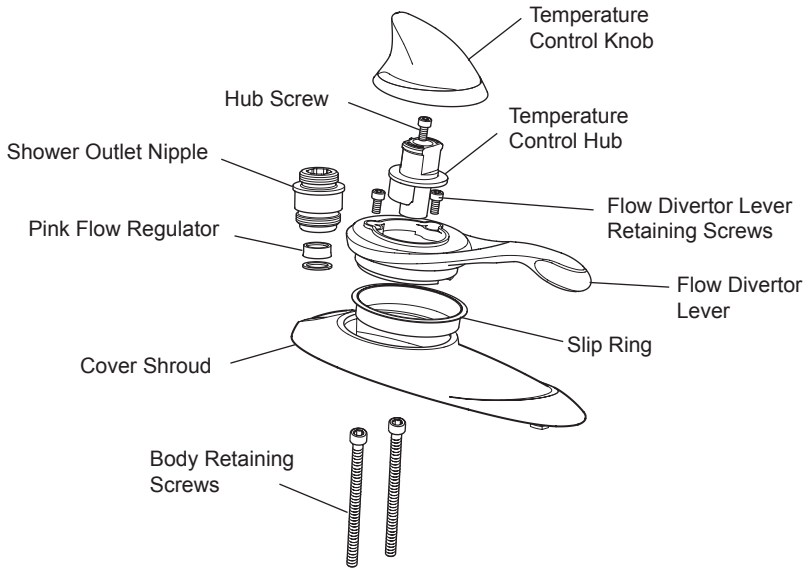
Verify TMV2 approved valves against the original set temperature results once a year, refer to the TMV2 Requirements Manual.

Flow Regulator Removal

Three Flow Regulators are fitted to the product. The Pink Regulator fitted to the shower outlet on top of the Mira Excel BSM limits the maximum flow rate to the shower fitting. The Green Regulators are fitted to the hot and cold inlets for high pressure systems. These must be removed if the inlet pressure is below 1 bar.

For combination boilers a fourth (White) Flow Regulator is supplied with the product to make sure that the boiler can supply the Mira Excel BSM with an adequate supply of hot water. You must replace **only** the Green Flow Regulator supplied installed in the **hot inlet** and replace it with the White Flow Regulator (supplied).

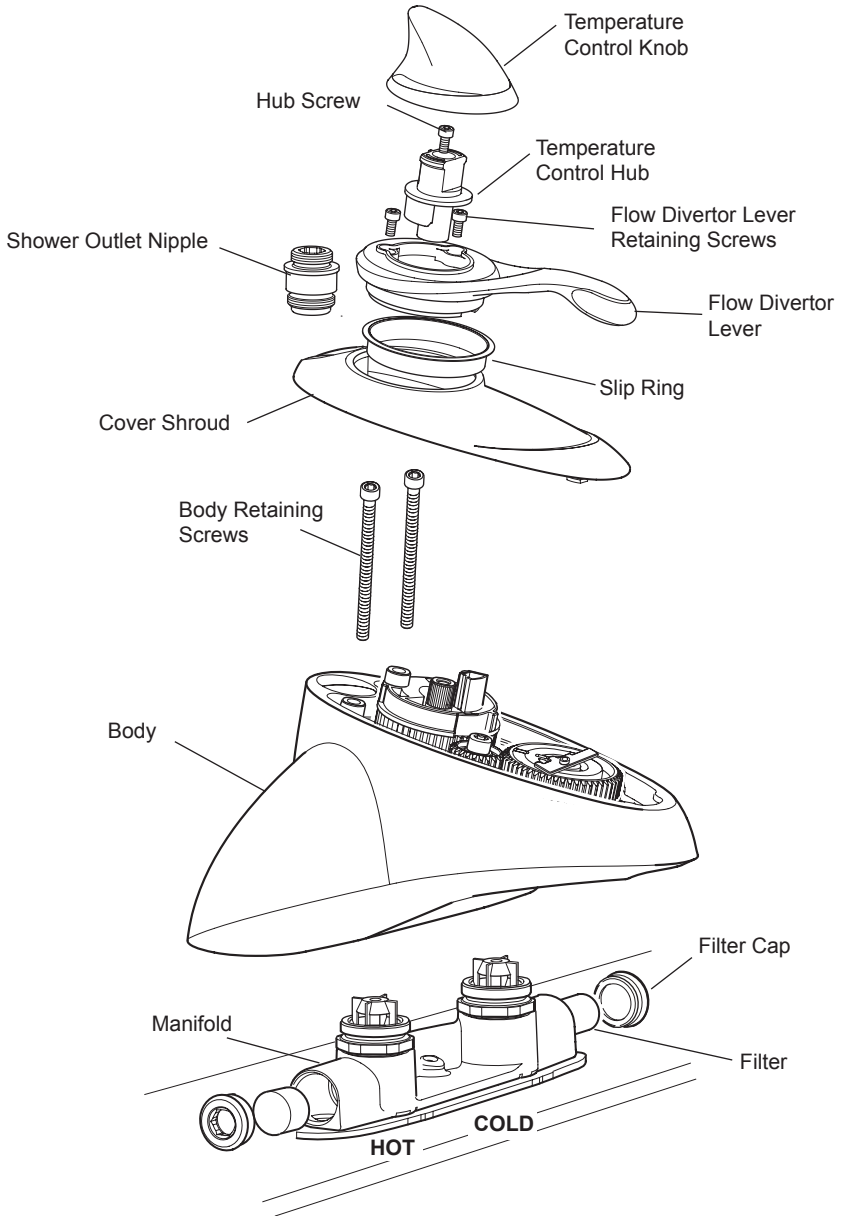
1. Turn off the hot and cold water supplies.
2. Pull off the Temperature Control Knob.
3. Unscrew the Hub Screw using the 3 mm hexagonal wrench (supplied) and remove the Temperature Control Hub.
4. Unscrew the 2 Flow Divertor Lever Retaining Screws using the 3 mm hexagonal wrench (supplied) and remove the Flow Divertor Lever and Slip Ring.
5. Disconnect the Shower Hose and remove the Shower Outlet Nipple using the quad key (supplied) or a 12 mm hexagonal wrench.
6. Remove the Pink Shower Flow Regulator from the Shower Outlet Nipple.
Note! For very low pressure systems (< 0.2 bar) a greater shower flow can be obtained by removing the Shower Non-Return Valve from the Nipple. If this is necessary, remove the Retaining Circlip (using circlip pliers) and push the Non-Return Valve from the Nipple.
7. Carefully push back and lift off the Cover Shroud and Seal.
8. Unscrew the 2 Body Retaining Screws using the 5 mm hexagonal wrench (supplied) and lift the Body from the Manifold.
9. Unscrew the hot and cold Inlet Non-Return Valve Housings from the Manifold using a suitable spanner.
10. Remove the 2 Inlet Flow Regulators.
11. Refit both the Non-Return Valve housings and tighten with a spanner in a clockwise direction.
Note! The Plastic Housing must be fitted in the hot (left) inlet and the Brass Housing must be fitted in the cold (right) inlet.
12. Refit the BSM on the Manifold and refit the 2 Body Retaining Screws.
13. Refit the Cover Shroud and Seal.
Caution! Make sure that the front lip of the Cover Shroud is located into the slot at the front of the BSM Body.
14. Refit the Flow Divertor Lever and Slip Ring and tighten the 2 Flow Divertor Lever Retaining Screws.
15. Refit the Shower Outlet Nipple and the Shower Outlet Hose.
16. Turn on the hot and cold water supplies and check for any leaks.
17. Refit the Temperature Control Hub, tighten the Hub Screw and refit the Temperature Control Knob. Refer to section: '**Maximum Temperature Setting**'.



Filter Cleaning/Replacement

Blockage of the Inlet Filters can lead to poor flow performance and reduced temperature control. It is essential that the Inlet Filters are periodically cleaned or, if necessary, renewed as part of a preventative maintenance programme.

1. Turn off the hot and cold water supplies.
2. Pull off the Temperature Control Knob.
3. Unscrew the Hub Screw using the 3 mm hexagonal wrench (supplied) and remove the Temperature Control Hub.
4. Unscrew the 2 Flow Divertor Lever Retaining Screws using the 3 mm hexagonal wrench (supplied) and remove the Flow Divertor Lever and Slip Ring.
5. Disconnect the Shower Hose and remove the Shower Outlet Nipple using the quad key (supplied) or a 12 mm hexagonal wrench.
6. Carefully push back and lift off the Cover Shroud and Seal.
7. Unscrew the 2 Body Retaining Screws using the 5 mm hexagonal wrench (supplied) and lift the Body from the Manifold.
8. Unscrew the filter cap from the Manifold using a quad key (supplied) or a 12 mm hexagonal wrench and remove the Filter.
9. Clean under a jet of water, or renew if damaged (refer to section: '**Spare Parts**').
10. Push the Filters into the Filter Caps and replace. Tighten using the quad key (supplied) or a 12 mm hexagonal wrench.
11. Refit the BSM on the Manifold and refit the 2 Body Retaining Screws.
12. Refit the Cover Shroud and Seal.
Caution! Make sure that the front lip of the Cover Shroud is located into the slot at the front of the BSM Body.
13. Refit the Flow Divertor Lever and Slip Ring and tighten the 2 Flow Divertor Lever Retaining Screws.
14. Refit the Shower Outlet Nipple and the Shower Outlet Hose.
15. Turn on the hot and cold water supplies and check for any leaks.
16. Refit the Temperature Control Hub, tighten the screw and refit the Temperature Control Knob. Refer to section: '**Maximum Temperature Setting**'.



Maintaining the Non-Return Valves

The Non-Return Valves are located inside the Inlet Manifold and inside the Shower Outlet Nipple.

Note! For the shower **only** perform instructions 2 to 4.

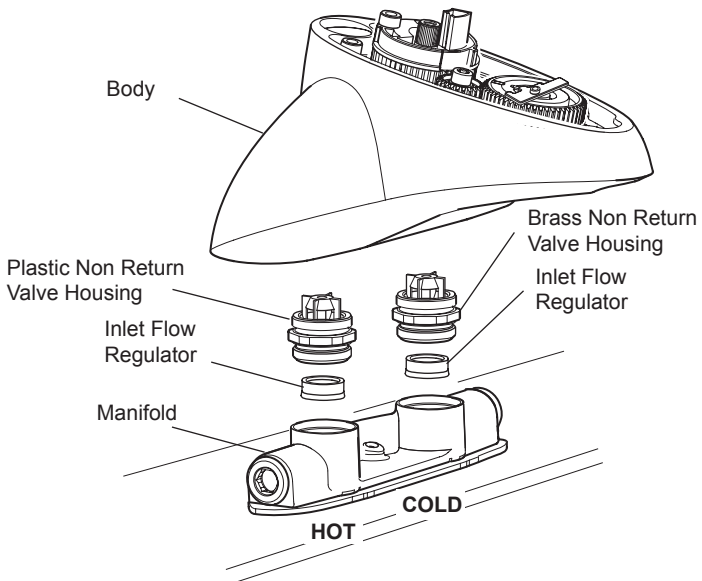
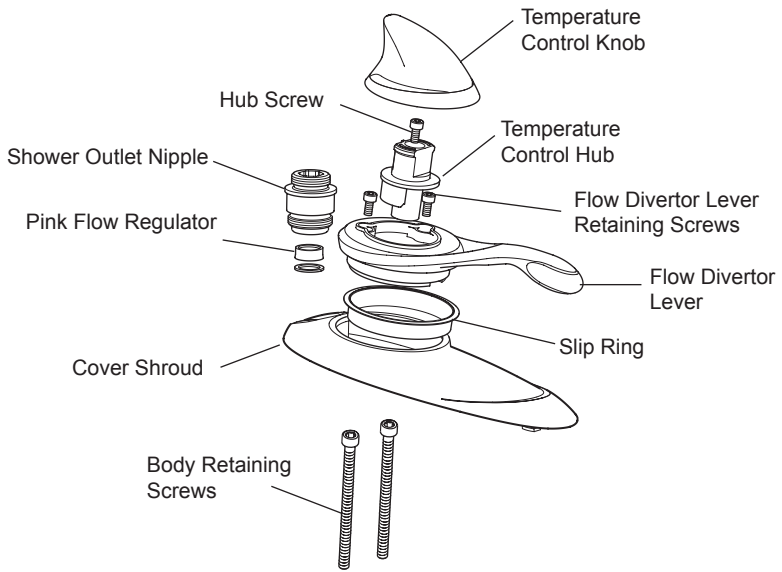
1. Turn off the hot and cold water supplies.
2. Disconnect the Shower Hose and remove the Shower Outlet Nipple using the quad key (supplied) or a 12 mm hexagonal wrench.
3. Remove the Shower Flow Regulator.
Remove the Circlip and the Non-Return Valve from the Nipple.
4. Rinse the Non-Return Valve and clean out any debris, or renew if necessary (refer to section: '**Spare Parts**').

Note! For the shower **only** go to instructions 16 and 17.

5. Pull off the Temperature Control Knob.
6. Unscrew the Hub Screw using the 3 mm hexagonal wrench (supplied) and remove the Temperature Control Hub.
7. Unscrew the 2 Flow Divertor Lever Retaining Screws using the 3 mm hexagonal wrench (supplied) and remove the Flow Divertor Lever and Slip Ring.
8. Carefully push back and lift off the Cover Shroud and Seal.
9. Unscrew the 2 Body Retaining Screws using the 5 mm hexagonal wrench (supplied) and lift the Body from the Manifold.
10. Unscrew the hot and cold Inlet Non-Return Valve Housings from the Manifold using a suitable spanner.
11. Remove the 2 Inlet Flow Regulators.
12. Rinse the Non-Return Valves and clean out any debris, or renew if necessary (refer to section: '**Spare Parts**').
13. Refit the 2 Inlet Flow Regulators into the Non-Return Valve Housings. Refit the Non-Return Valve Housings into the Manifold and tighten with a spanner in a clockwise direction.

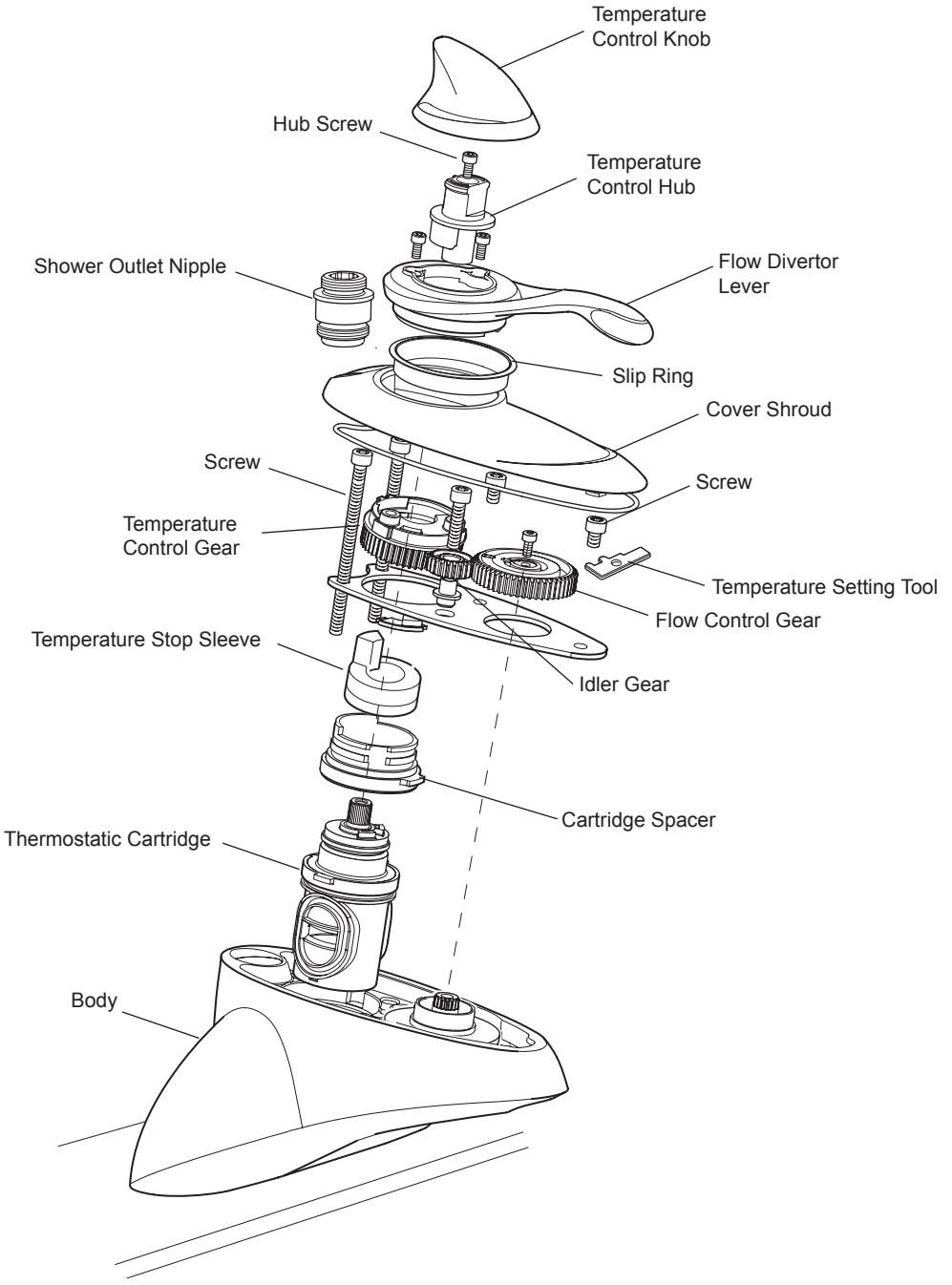
Note! The Plastic Housing must be fitted in the hot (left) inlet and the Brass Housing must be fitted in the cold (right) inlet.

14. Refit the BSM on the Manifold and refit the 2 Body Retaining Screws.
Caution! Make sure that the front lip of the Cover Shroud is located into the slot at the front of the BSM Body.
15. Refit the Flow Divertor Lever and Slip Ring and tighten the 2 Flow Divertor Lever retaining screws.
16. Refit the Flow Regulator into the Shower Outlet Nipple.
17. Refit the Shower Outlet Nipple and the Shower Outlet Hose.
18. Turn on the hot and cold water supplies and check for any leaks.
19. Refit the Temperature Control Hub, tighten the Hub Screw and refit the Temperature Control Knob. Refer to section: '**Maximum Temperature Setting**'.



Removing the Thermostatic Cartridge

- 1.** Turn off the hot and cold water supplies.
- 2.** Pull off the Temperature Control Knob.
- 3.** Unscrew the Hub Screw using the 3 mm hexagonal wrench (supplied) and remove the Temperature Control Hub.
- 4.** Unscrew the 2 Flow Divertor Lever Retaining Screws using the 3 mm hexagonal wrench (supplied) and remove the Flow Divertor Lever and Slip Ring.
- 5.** Disconnect the Shower Hose and remove the Shower Outlet Nipple using the quad key (supplied) or a 12 mm hexagonal wrench.
- 6.** Carefully push back and lift off the Cover Shroud and Seal.
- 7.** Unscrew the Flow Control Gear Securing Screw using a 3 mm hexagonal wrench (supplied) and remove the Flow Control Gear and the Red Temperature Setting Tool.
- 8.** Turn the Temperature Control Gear through 180° clockwise and lift off.
- 9.** Unscrew the Idler Gear Securing Screw using a 5 mm hexagonal wrench (supplied) and remove the Idler Gear and Bush.
- 10.** Remove the 4 Clamp Plate Screws using a 5 mm hexagonal key (supplied) and remove the Clamp Plate.
- 11.** Remove the Temperature Stop Sleeve and Cartridge Spacer.
- 12.** Refit and secure the Temperature Control Hub to assist in the removal of the Thermostatic Cartridge.
- 13.** Pull out the Thermostatic Cartridge.
- 14.** Remove the Temperature Control Hub from the Cartridge.



Cleaning and Re-assembly of the Thermostatic Cartridge

1. The interior surface of the BSM Body must be clean before refitting the Cartridge. If scale or deposits are present, clean using a mild proprietary inhibited scale solvent, e.g. domestic kettle descaler. After descaling, rinse valve interior thoroughly in clean water before refitting the Cartridge.

Note! The Body interior must be cleaned carefully and not damaged in any way. Do not use any abrasive material.

2. Cartridges may only be cleaned by flushing thoroughly under a jet of water to remove lodged particles.

Do not descale. Cartridges are not serviceable, and must not be dismantled. If the Cartridge is faulty or damaged a new one should be fitted (refer to section: '**Spare Parts**').

3. Examine all accessible Seals for signs of deformation or damage, and renew as necessary, taking care not to damage Seal Grooves.

4. Make sure that the Insulation Channel Cap is aligned with the hot inlet, and the face is below the surface of the Cartridge Sealing Bore.

Note! Make sure that the orientation is correct, as illustrated below.

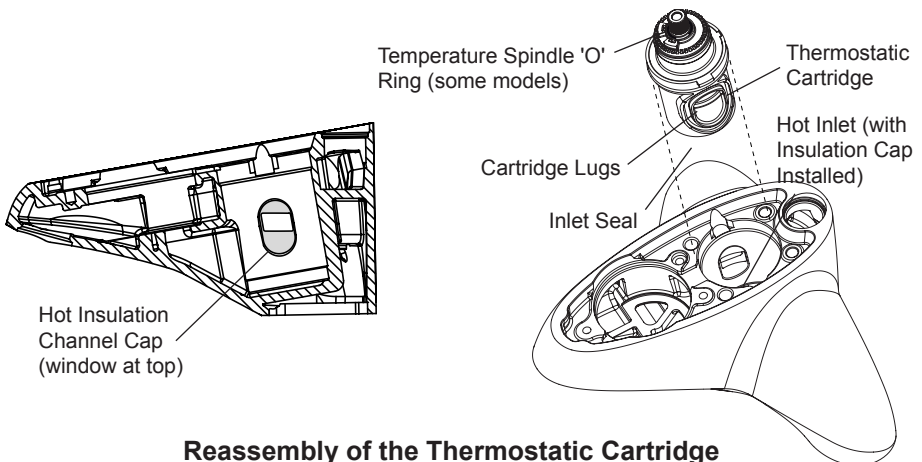
5. Lightly coat all Seals with a silicone-only based lubricant to assist reassembling.

6. Identify which is the hot inlet to the Body (left hand side when viewed from the front) and align the Cartridge accordingly (stamped 'H' on the Cartridge Lug). Carefully push the Cartridge back into the Body, checking that the 2 Cartridge Inlet Seals and the Hot Insulation Channel Cap remain in place and locate the Cartridge Lugs into the appropriate Body Slots.

Note! The Cartridge is not reversible.

7. Refit the Cartridge Spacer and Temperature Stop Sleeve with the upstand to the back of the BSM.

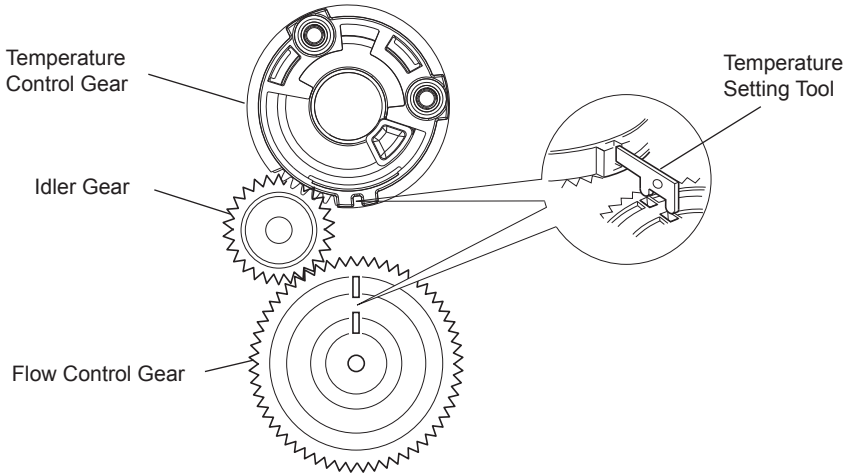
8. Refit the Clamp Plate and Idler Gear Bush and tighten the 4 Clamp Plate Screws.



Reassembly of the Thermostatic Cartridge

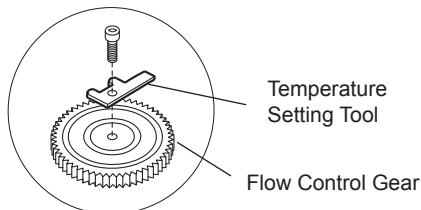
9. Line up the Temperature Control Gear with the Cartridge Spacer, push on and rotate anti-clockwise through 180°.
10. Refit the Flow Control Gear and line up with Temperature Control Gear using the Temperature Setting Tool.
11. Refit the Idler Gear and tighten the Screw.

Caution! Do not overtighten the Screw as damage may occur causing the Idler Gear to jam on the Bush.



Temperature Setting Tool

12. Place the Temperature Setting Tool over the Flow Control Gear and tighten the Screw.
13. Refit the Cover Shroud and Seal.
Caution! Make sure that the front lip of the Cover Shroud is located into the slot at the front of the BSM Body.
14. Refit the Flow Divertor Lever and Slip Ring and tighten the 2 Flow Divertor Lever Retaining Screws.
15. Refit the Outlet Nipple and the Shower Outlet Hose.
16. Turn on the hot and cold water supplies and check for any leaks.
17. Set the Maximum Temperature. Refer to section: '**Maximum Temperature Setting**'.

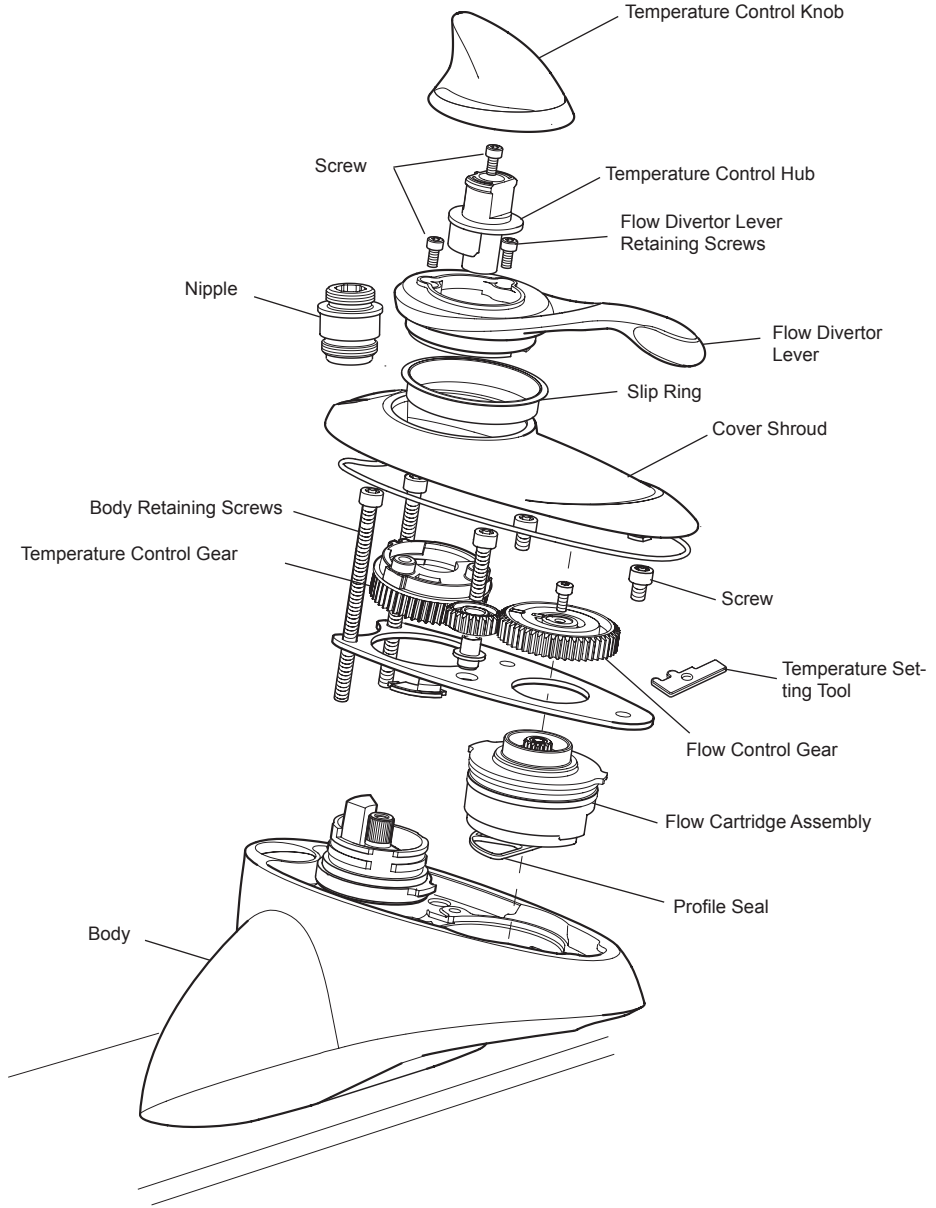


Temperature Setting Tool

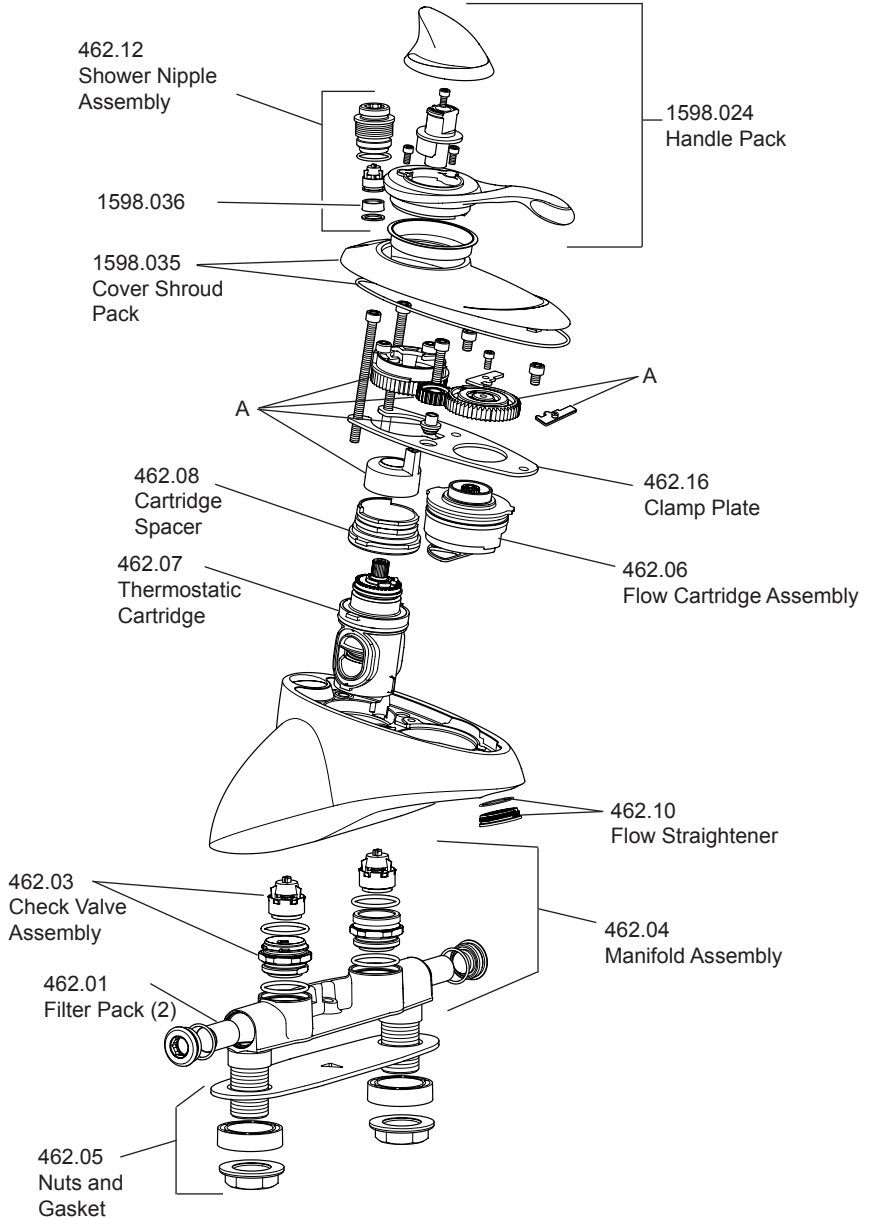
Replacement of the Flow Cartridge

1. Turn off the hot and cold water supplies.
2. Pull off the Temperature Control Knob.
3. Unscrew the Hub Screw using the 3 mm hexagonal wrench (supplied) and remove the Temperature Control Hub.
4. Unscrew the 2 Flow Divertor Lever Retaining Screws using the 3 mm hexagonal wrench (supplied) and remove the Flow Divertor Lever and Slip Ring.
5. Disconnect the Shower Hose and remove the Shower Outlet Nipple using the quad key (supplied) or a 12 mm hexagonal wrench.
6. Carefully push back and lift off the Cover Shroud and Seal.
7. Unscrew the Flow Control Gear Securing Screw using a 3 mm hexagonal wrench (supplied) and remove the Flow Control Gear and the Red Temperature Setting Tool.
8. Turn the Temperature Control Gear through 180° clockwise and lift off.
9. Unscrew the Idler Gear Securing Screw using a 5 mm hexagonal wrench (supplied) and remove the Idler Gear and Bush.
10. Remove the 4 Clamp Plate Screws using a 5 mm hexagonal key (supplied) and remove the Clamp Plate.
11. Refit and secure the Flow Control Gear upside down to assist removal.
12. Pull out the Flow Cartridge.
13. Remove the Flow Control Gear from the Cartridge and discard the Cartridge.
14. Fit the new Flow Cartridge and Profile Seal.
Note! The large tab must be towards the back of the BSM Body.
15. Refit the Clamp Plate and Idler Gear Bush and tighten the 4 Clamp Plate Screws.
16. Line up the Temperature Control Gear with the Cartridge Spacer and rotate anti-clockwise through 180° (refer to illustrations '**Temperature Setting Tool**' in section: '**Cleaning and Re-assembly of the Thermostatic Cartridge**').
17. Refit the Flow Control Gear and line up with Temperature Control Gear using the Temperature Setting Tool.
18. Refit the Idler Gear and tighten the Screw.
Caution! Do not overtighten the Screw as damage may occur causing the Idler Gear to jam on the Bush.
19. Place the Temperature Setting Tool over the Flow Control Gear and tighten the Screw. (refer to illustrations '**Temperature Setting Tool**' in section: '**Cleaning and Re-assembly of the Thermostatic Cartridge**').
20. Refit the Cover Shroud and Seal.
Caution! Make sure that the front lip of the Cover Shroud is located into the slot at the front of the BSM Body.
21. Refit the Flow Divertor Lever and Slip Ring and tighten the 2 Flow Divertor Lever Retaining Screws.

- 22. Refit the outlet Nipple and the Shower Outlet Hose.
- 23. Turn on the hot and cold water supplies and check for any leaks.
- 24. Set the Maximum Temperature. Refer to section: **'Maximum Temperature Setting'**.



SPARES



- 462.14 Screw Pack (Not Illustrated)
- 462.15 Seal Pack (Not Illustrated)
- 1598.023 Temperature Adjustment Pack (items shown as A)
- 1598.036 Flow Regulator Kit

ACCESSORIES

Genuine Mira accessories can be purchased direct from Customers Services (our contact details can be found on the back cover of this guide) or from approved stockists or merchants.



Eco Showerhead
White - 2.1668.001
Chrome - 2.1668.002

The Eco shower head gives you an invigorating shower, but reduces water consumption and heating costs.



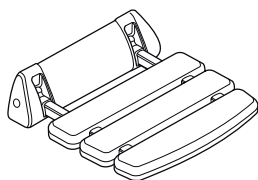
Everclear Showerhead
White - 2.1616.030
Chrome - 2.1616.031

Mira's new Everclear range has been specially designed for hard water areas and reduces the risk of lime scale build up.



Logic Showerhead Holder
White - 2.1605.149
White/Chrome - 2.1605.150

An alternative to the traditional slide bar. Often a useful addition when positioned for the smaller members of the family.



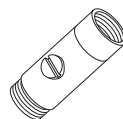
Shower Seat
White - 2.1536.128
White/Chrome - 2.1536.129

For use in or out of the showering area. Folds up when not in use. Maximum User Weight - 127 kg (20 stone) **Note!** Must be installed onto a solid wall.



Premium Shower Seat
White/Chrome - 2.1731.001
Grey/Chrome - 2.1731.002

Stylish, slim-line and robust shower seat for use in or outside of the shower area. Folds up when not in use. Maximum User Weight - 150 kg (23.5 stone) **Note!** Must be installed onto a solid wall.



Outlet Double Check Valve (DCV-H)
Chrome - 1.0.110.55.1

An outlet double check valve, designed to prevent the back flow or back-siphonage of potentially contaminated water, through shower controls which are fitted with a flexible shower hose as part of the outlet shower fitting.



Mira Standard Grab Bars
300 mm - 2.1605.070
450 mm - 2.1605.071
600 mm - 2.1605.072

Premium grade, highly polished, stainless steel grab bars.

Note! Must be installed onto a solid wall.



3/4" Isolating Flexible Inlet Hose 500mm (x2) - 1.1598.009

Flexible hose with integrated isolating valve for ease of servicing.

SPARES

Guarantee

Your product has the benefit of our manufacturer's guarantee which starts from date of purchase. This guarantee only applies in the United Kingdom and Republic of Ireland. To activate this guarantee, please return your completed registration card, visit our website or free phone 0800 5978551 within 30 days of purchase (UK only).

Within the guarantee period we will resolve defects in materials or workmanship, free of charge, by repairing or replacing parts or product as we may choose.

This guarantee is in addition to your statutory rights and is subject to the following conditions :

- The guarantee applies solely to the original installation under normal use and to the original purchaser only. The product must be installed and maintained in accordance with the instructions given in this guide.
- Servicing must only be undertaken by us or our appointed representative.
Note! If a service visit is required the product must be fully installed and connected to services.
- Repair under this guarantee does not extend the original expiry date. The guarantee on any replacement parts or product ends at the original expiry date.
- For shower fittings or consumable items we reserve the right to supply replacement parts only.

The guarantee does not cover:

- Call out charges for non product faults (such as damage or performance issues arising from incorrect installation, improper use, inappropriate cleaning, lack of maintenance, build up of limescale, frost damage, chemical attack, corrosion, system debris or blocked filters) or where no fault has been found with the product.
- Water or electrical supply, waste and isolation issues.
- Compensation for loss of use of the product or consequential or indirect loss of any kind.
- Damage or defects caused if the product is repaired or modified by persons not authorised by us or our appointed representative.
- Routine maintenance or replacement parts to repaired or modified by persons not authorised by comply with the requirements of the TMV2 or repaired or modified by persons not authorised by TMV3 healthcare schemes
- Accidental or wilful damage.
- Products purchased ex-showroom display.

What to do if something goes wrong

If your product does not work correctly refer to this manual for fault diagnosis and check that it is installed and commissioned in accordance with our instructions. If this does not resolve the issue, contact us for help and advice.



Helpdesk Service

Contact our Customer Services Team for product advice, to purchase spare parts or accessories or to set up service visit. You can contact us via phone or e-mail - contact details below.

Please provide your model name, power rating (if applicable) and date of purchase.



Mira Showers Website

(www.mirashowers.co.uk)

Visit our website to register your guarantee, download user guides, diagnose faults, purchase our full range of accessories and popular spares, or request a service visit.



Spares and Accessories

We hold the largest stocks of genuine Mira spares and accessories. Contact us for a price or visit our website to purchase items from our accessory range and popular spares. (Only available in the United Kingdom)



Service/Repairs

No one knows our products better than our nationwide team of Service Technicians. We can carry out service or repair work to your product both during and after the guarantee period. (Only available in the United Kingdom and Republic of Ireland) Ask about our fixed price service repairs.

To Contact Us: UK



0844 571 5000

Calls cost 7p per minute plus your phone company's access charge



Fax: 01242 282595



Email – Visit

www.mirashowers.co.uk/contactus



By Post: **Mira Customer Services Dept, Cromwell Road, Cheltenham, Gloucestershire GL52 5EP**

To Contact Us: Eire Only



01 531 9337



E-mail:

CustomerServiceEire@mirashowers.com

Mira is a registered trade mark of Kohler Mira Limited.

The company reserves the right to alter product specifications without notice.



mira
SHOWERS