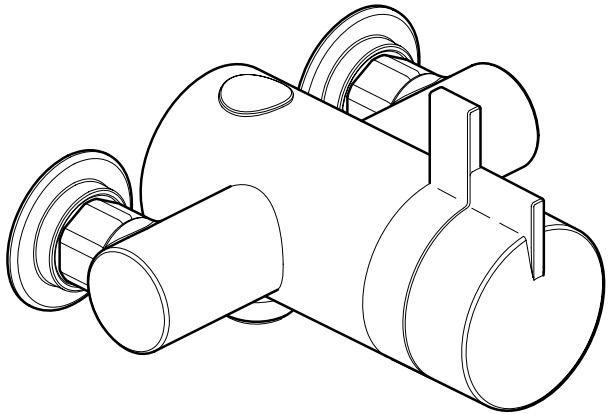
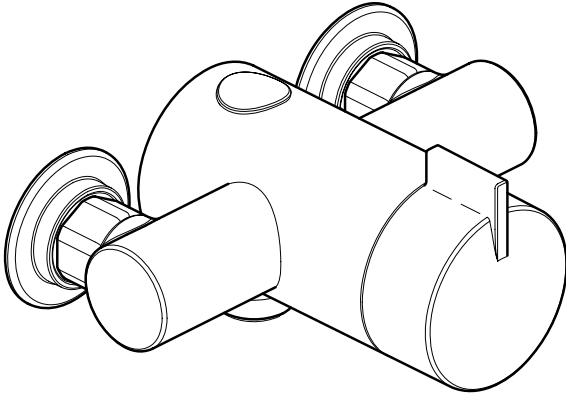


mira



SHOWERS



MIRA MOTO, MIRA PACE,
MIRA MINILITE & MIRA MINIDUO

THERMOSTATIC MIXERS

INSTALLATION & USER GUIDE

These instructions must be left with the user.

CONTENTS

Introduction	2
Patents	2
Safety Warnings	3
Pack Contents	4
Specifications	5
Pressures	5
Temperatures	5
Thermostatic Shut-down	5
Connections	5
Dimensions	6
Installation	7
Suitable Plumbing Systems	7
General	7
Exposed Thermostatic Mixers	8
Installing the Thermostatic Mixer	8
Installing the Built-in Thermostatic Mixer	11
Commissioning	16
Maximum Temperature Setting	16
Operation	17
User Maintenance	18
Fault Diagnosis	18
Lubricants	18
Cleaning	18
Accessories	18
Notes	19
Spare Parts	22
Customer Service	Back Page

INTRODUCTION

Thank you for purchasing a quality Mira product. To enjoy the full potential of your new product, please take time to read this guide thoroughly, having done so, keep it handy for future reference.

The Mira Moto and Mira Minilite are thermostatic mixers with a single control lever for on/off and temperature control. They are supplied complete with Mira L14A Shower Fittings.

The Mira Pace and Mira Miniduo are thermostatic mixers with separate flow and temperature controls. They are supplied complete with Mira L98B Shower Fittings.

The thermostatic mixers incorporate a wax capsule temperature sensing unit, which provides an almost immediate response to changes in pressures or temperature of the incoming water supplies to maintain the selected temperature. An adjustable maximum temperature stop is provided which limits the temperature to a safe level. Inlet filters are fitted to protect the thermostatic cartridge.

Patents

Patents:

GB: 2 291 693, 2 340 210, 2 392 225,
2 421 297

France: 0 694 721

Germany: 695 13 455.8

Patent Applications:

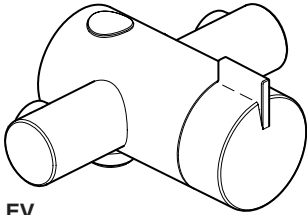
Euro: 03254070.0, 1 672 257

USA: 2006-0124758-A1

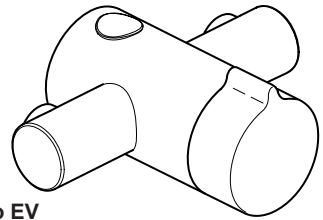
If you experience any difficulty with the installation or operation of your new thermostatic mixer, please refer to '**Fault Diagnosis**', before contacting Kohler Mira Ltd. Our telephone and fax numbers can be found on the back cover of this guide.

PACK CONTENTS

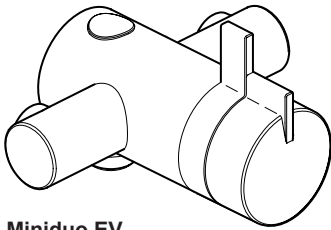
Tick the appropriate boxes to familiarise yourself with the part names and to confirm that all of the parts are included.



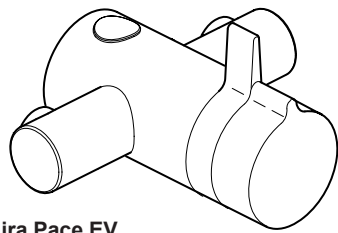
Mira Minilite EV



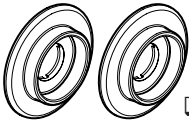
Mira Moto EV



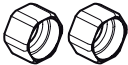
Mira Miniduo EV



Mira Pace EV



2 x Concealing Plates



2 x Compression Nuts



2 x Olives



2 x Wall plugs



2 x Fixing Screws



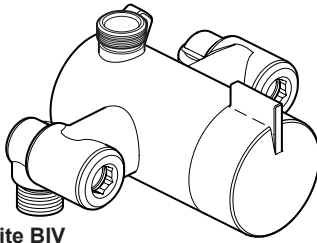
1 x 2.5 mm Hexagonal Key



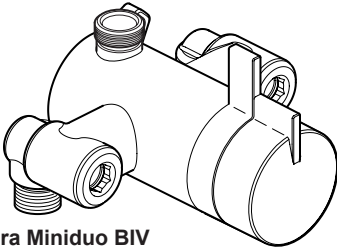
1 x 'O' Key

Documentation

- 1 x Guarantee Registration Document
- 1 x Installation Template

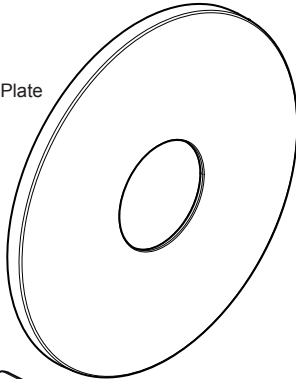


Mira Minilite BIV



Mira Miniduo BIV

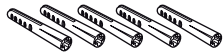
1 x Concealing Plate Assembly



3 x Compression Nuts



3 x Olives



5 x Wall plugs



5 x Fixing Screws



1 x Flow Regulator (12 L/Min)



1 x 2.5 mm Hexagonal Key



1 x 'O' Key

Documentation

- 1 x Guarantee Registration Document
- 1 x Cardboard Building-in Shroud

SAFETY WARNINGS

Mira thermostatic mixers are precision engineered and should give continued safe and controlled performance, provided:

1. They are installed, commissioned, operated and maintained in accordance with manufacturers recommendations.
2. Periodic attention is given, when necessary, to maintain the product in good functional order.

Caution!

1. Read all of these instructions.
2. Retain this guide for later use.
3. Pass on this guide in the event of change of ownership of the installation site.
4. Follow all warnings, cautions and instructions contained in this guide.
5. Anyone who may have difficulty understanding or operating the controls of any shower should be attended whilst showering. Particular consideration should be given to the young, the elderly, the infirm or anyone inexperienced in the correct operation of the controls.
6. Rapid/Excessive movement of the flow and/or temperature control levers may result in momentary changes in blend temperature.
7. Care is required when adjusting flow or temperature, make sure that the temperature has stabilised.
8. When this product has reached the end of its serviceable life, it should be disposed of in a safe manner, in accordance with current local authority recycling, or waste disposal policy.

SPECIFICATIONS

Pressures

- Max Static Pressure: **10 Bar**.
- Max Maintained Pressure: **5 Bar**.
- Min Maintained Pressure (Gravity System): **0.1 Bar**. (0.1 bar = 1 Metre head from cold tank base to shower handset outlet).

Note! For gravity fed / other low pressure systems (0.5 bar or below) remove the flow regulator(s).

- For optimum performance supplies should be nominally equal.

Temperatures

- Factory Pre-set (Blend) Shower: **43°C**.
- Optimum Thermostatic Control Range: **35°C to 43°C** (achieved with supplies of 15°C cold, 65°C hot and nominally equal pressures).
- Recommended Hot Supply: **60°C to 65°C**
Note! The mixing valve can operate at higher temperatures for short periods without damage, however this could detrimentally affect thermostatic performance. For safety and performance reasons it is recommended that the maximum hot water temperature is limited to 65°C.
- Cold Water Range: up to **25°C**.
- Minimum Recommended Differential between Hot Supply and Outlet Temperature: **12°C**.

Thermostatic Shut-down

- For safety and comfort the thermostat will shut off the mixing valve **within 2 Seconds** if either supply fails. (achieved only if the blend temperature has a minimum differential of 12°C from either supply temperature).

Connections

- Inlets: 15 mm Compression.
- Outlet: ½" BSP Flat Face / 15 mm Compression
- Standard connections are: **hot - left, cold - right, outlet - bottom (EV models), top (BIV models)**.

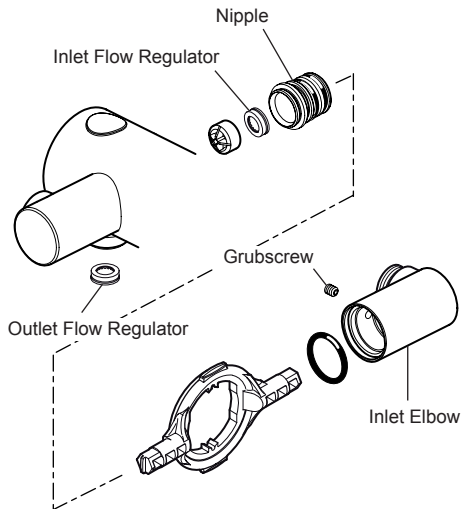
Flow Regulators

Site conditions and thermostatic mixer model will determine the flow regulator requirements.

For gravity systems (0.5 bar or below) remove the inlet and outlet flow regulators (where fitted).

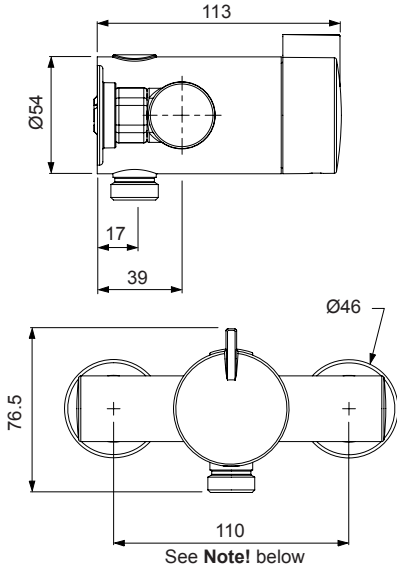
Model	Cold Inlet	Outlet
Moto		✓ (supplied fitted in the outlet nipple)
Pace	✓	✓ (supplied fitted in the outlet nipple)
Minilite EV		✓ (supplied fitted in the outlet nipple)
Minilite BIV		✓ (supplied in the component pack)
Miniduo EV	✓	✓ (supplied fitted in the outlet nipple)
Miniduo BIV	✓	✓ (supplied in the component pack)

Flow Regulator Removal

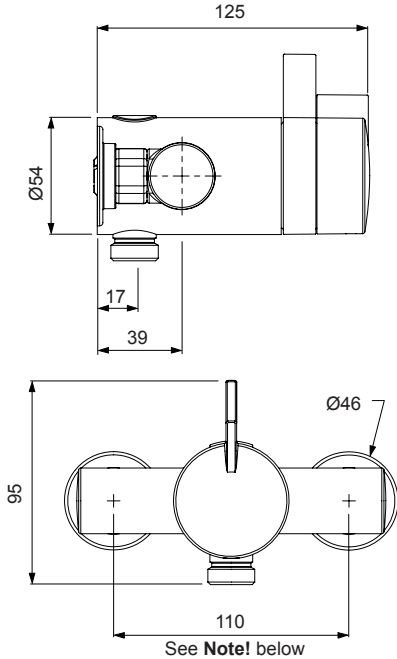


Dimensions

Mira Moto and Mira Minilite EV



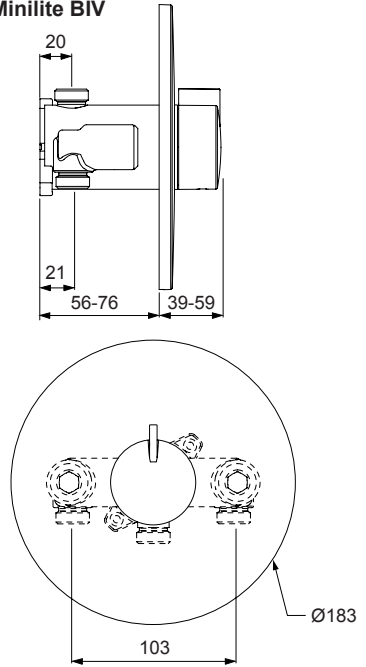
Mira Pace and Mira Miniduo EV



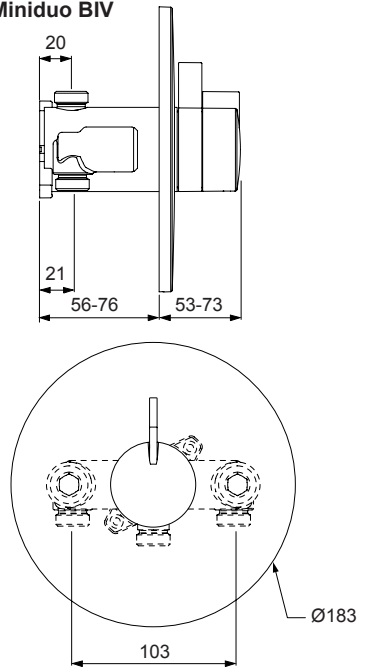
All dimensions in mm

Note! If replacing an existing installation with pipework centres between 133 mm and 153 mm a universal retrofit accessory kit is available, refer to section: 'Accessories'.

Mira Minilite BIV



Mira Miniduo BIV



INSTALLATION

Suitable Plumbing Systems

Gravity Fed:

The thermostatic mixer must be fed from a cold water cistern (usually fitted in the loft space) and a hot water cylinder (usually fitted in the airing cupboard) providing nominally equal pressures.

Mains Pressurised Instantaneous Hot Water System (Combination Boiler):

The thermostatic mixer can be installed with systems of this type with balanced pressures. (Recommended Minimum Maintained Pressure: **1.0 Bar**).

Unvented Mains Pressure System:

The thermostatic mixer can be installed with an unvented, stored hot water system.

Pumped System:

The thermostatic mixer can be installed with an inlet pump (twin impeller). The pump must be installed in a suitable location and in accordance with its instructions.

General

Installation must be carried out in accordance with these instructions, and must be conducted by designated, qualified and competent personnel.

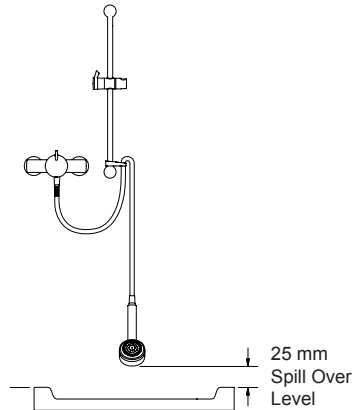
The installation must comply with the "Water Supply Regulations 1999 (Water Fittings)" or any particular regulations and practices, specified by the local water company or water undertakers.

Note! Make sure that all site requirements correspond to the information given in section: '**Specifications**'.

1. The Mixer must not be installed in an area where it may freeze.
2. For stud partitions alternative fixings may be required.
3. Isolating valves **must** be installed close to the Mixer for ease of maintenance.
4. Pipework must be rigidly supported and avoid any strain on the connections.
5. Pipework dead-legs should be kept to a minimum.

6. Decide on a suitable position for the Mixer. The position of the Mixer and the Shower Fittings must provide a minimum gap of 25 mm between the spill-over level of the shower tray/bath and the handset (refer to illustration). This is to prevent back-siphonage. For further information on the installation of your **Shower Fittings**, refer to the Fittings Installation and User Guide.

Note! Only use Shower Fittings recommended by the manufacturer or supplier.



Exposed Thermostatic Mixers

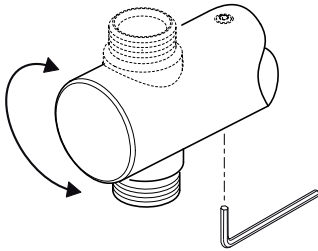
For **Built-in** Thermostatic Mixers go to section: 'Installation, Built-in Thermostatic Mixers'.

Installing the Thermostatic Mixer

1. The thermostatic mixer can be installed with rear, rising or falling supply inlets. Decide on the most appropriate method for your installation, and if necessary, loosen the grubscrews and rotate the inlet elbows to suit.

Important! Make sure that the elbows are pushed fully onto the mixer before tightening the grubscrews.

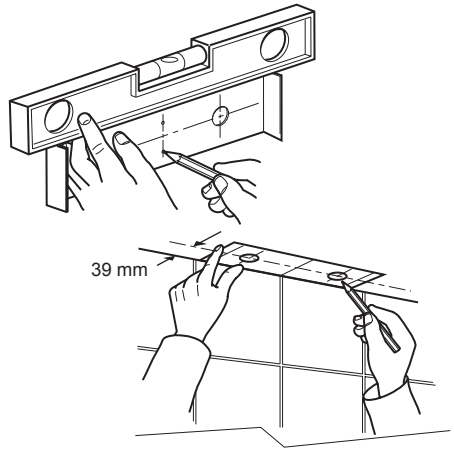
Important! A flow regulator is fitted inside the cold inlet elbow (some models). This can be removed for gravity fed / other low pressure systems (0.5 bar or below), refer to section: 'Specifications, Flow Regulators'.



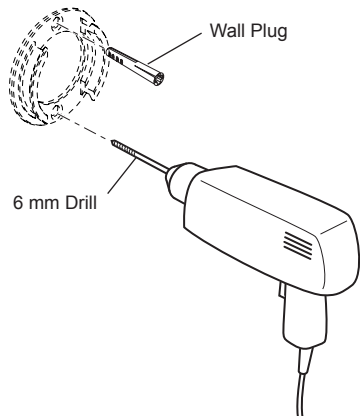
2. Use the installation template to mark the positions of the holes for the backplate and the pipe centres.

For rising or falling supplies the pipe positions should be set 39 mm from the centre of pipe to the finished wall at 110 mm centres.

Note! If replacing an existing installation with pipework centres between 133 mm and 153 mm a universal retrofit accessory kit is available, refer to section: 'Accessories'.



3. For solid walls drill the holes for the backplate with a 6 mm drill and insert the wall plugs (supplied). For other types of wall structure alternative fixings may be required (not supplied).



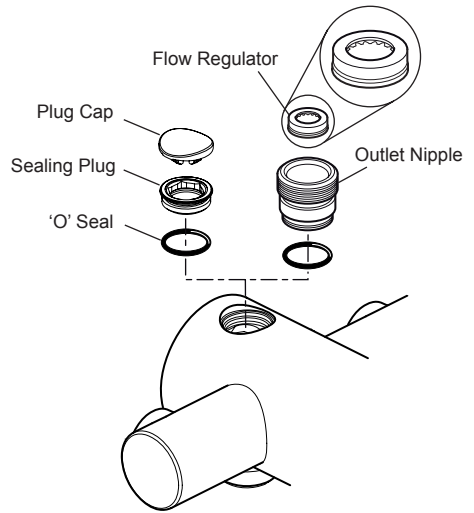
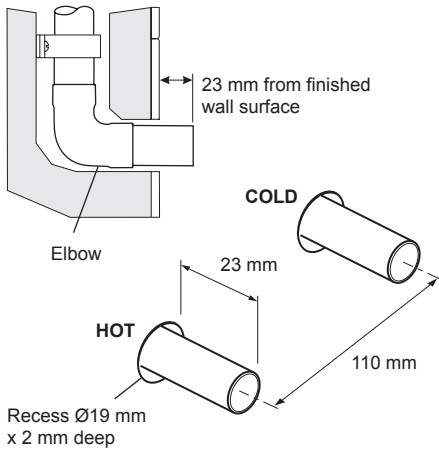
4. For Rear Entry Supplies Only:

- a) Drill the holes for the supply pipes at 110 mm centres.

Note! Recess the inlet holes $\text{Ø}19 \text{ mm} \times 2 \text{ mm}$ deep to allow for the concealing plates.

5. Fit the supply pipework: **Hot - Left, Cold - Right**. The inlet pipework should extend 23 mm from the finished wall surface.

Note! If it is not possible to install the mixer with this pipework configuration follow instruction 6.

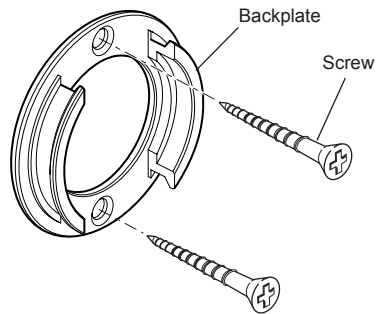


6. Reverse Inlet Supplies Only:

- Using a suitable tool, carefully remove the plug cap from the centre of sealing plug to reveal keyway.
- Remove the sealing plug using the 'O' key (supplied) or a 12 mm hexagonal key.
- Carefully remove the flow regulator from the outlet nipple, then remove the outlet nipple using the 'O' key (supplied) or a 12 mm hexagonal key.
- Refit the sealing plug and outlet nipple in the opposite outlets and tighten.

Note! Make sure that the 'O' seals are correctly fitted.
- Refit the flow regulator, make sure that it is fitted correctly, refer to illustration.
- Rotate the mixer 180°.
- The control knob(s) will have to be realigned, this can be completed in section: '**Commissioning**'.

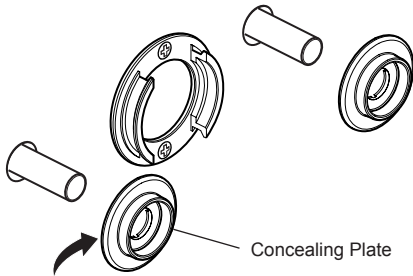
- Remove the backplate from the mixer by loosening the grub screw with a 2.5 mm hexagonal key (supplied).
- Secure the backplate to the wall using the screws (supplied).



9. For Rear Entry Supplies Only:

- a) Fit the concealing plates over the inlet pipes.

Note! Apply silicone sealant to the back face of the flange.



Apply Silicone Sealant

10. Caution! It is essential at this point that the supply pipework is thoroughly flushed through before connection to the mixer. Failure to do so may result in product malfunction.

- 11. Fit the compression nuts and olives onto the pipework.

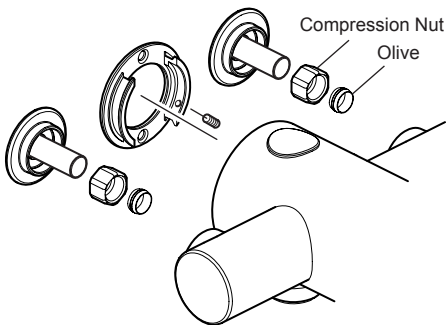
- 12. Align the mixer with the pipework and fit onto the backplate.

Important! Make sure that the hot and cold inlets on the mixer correspond with the hot and cold inlet supplies.

- 13. Tighten the compression nuts onto the mixer with a suitable spanner.

Caution! Take care not to damage the chrome surfaces.

- 14. Tighten the grubscrew to secure the mixer to the backplate.



- 15. Fit the shower fittings, refer to your shower fittings installation and user guide for instructions.

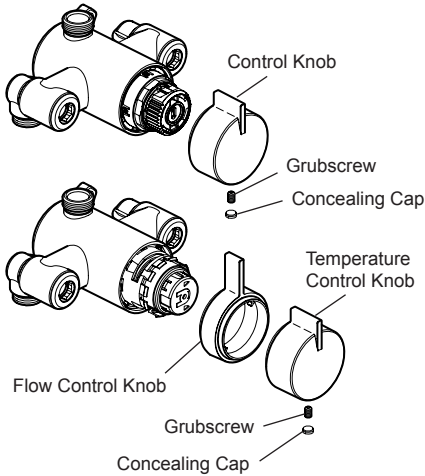
Important! A 12 litre/minute flow regulator is fitted inside the outlet nipple. This can be removed for gravity fed / other low pressure systems (0.5 bar or below), refer to section: **'Specifications, Flow Regulators'**.

- 16. Turn on the hot and cold water supplies and check for leaks.

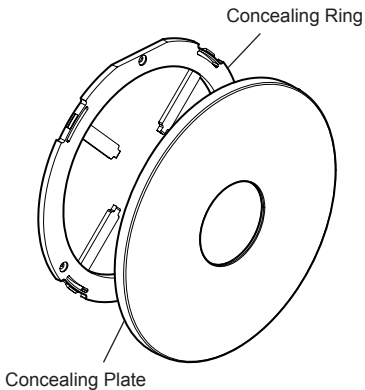
- 17. Before using the shower, refer to section: **'Commissioning'**.

Installing the Built-in Thermostatic Mixer

1. Carefully remove the concealing cap from the control knob.
2. Unscrew the grub screw using a 2.5 mm hexagonal key (supplied) and pull off the control knob(s).

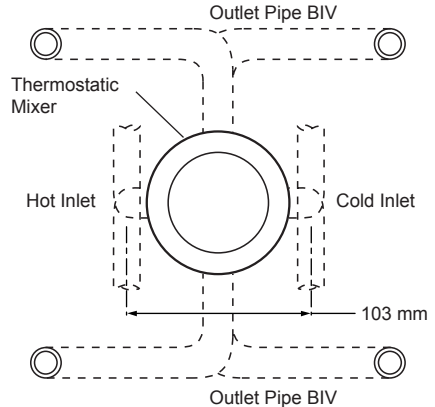


3. Carefully remove the concealing ring from the concealing plate.



4. Determine the route for the hot and cold supply pipework and for the outlet pipework. When connecting to the BIV shower fittings it is recommended that the outlet be positioned to one side of the mixer. This is to prevent the flexible hose from obstructing the shower controls (refer to illustration).

Alternative Pipe layouts



5. Mark the routes for the hot and cold supply pipework at 103 mm centres (**Hot - Left, Cold - Right**).

Note! If it is not possible to install the mixer with this pipework configuration follow instruction 6.

Falling Supplies: For falling supplies loosen the grub screw on each elbow using the 2.5 mm hexagon key (supplied). Remove the elbows and install on opposite sides. Retighten the grub screws.

Important! Make sure that the elbows are pushed fully onto the mixer before tightening the grub screws

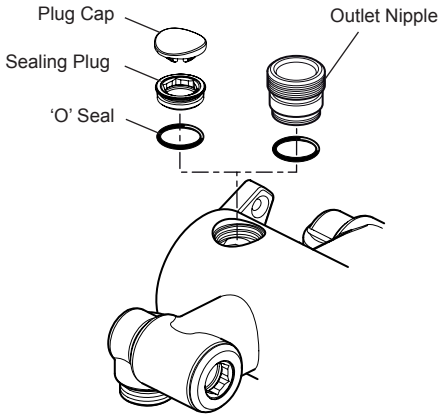
Important! A flow regulator is fitted inside the cold inlet elbow (some models). This can be removed for gravity fed / other low pressure systems (0.5 bar or below), refer to section: '**Specifications, Flow Regulators**'.

6. Reverse Inlet Supplies Only:

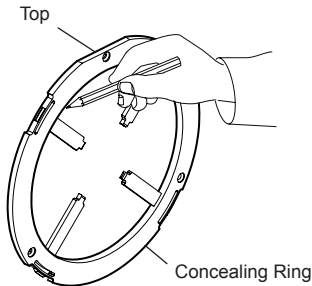
- Remove the sealing plug using the 'O' key (supplied) or a 12 mm hexagonal key.
- Remove the outlet nipple using the 'O' key (supplied) or a 12 mm hexagonal key.
- Refit the sealing plug and outlet nipple in the opposite outlets and tighten.
Note! Make sure that the 'O' seals are correctly fitted.

- Rotate the mixer 180°.
- If necessary, loosen the grubscrew on each elbow using the 2.5 mm hexagon key (supplied). Remove the elbows and install on opposite sides. Retighten the grubscrews.

Important! Make sure that the elbows are pushed fully onto the mixer before tightening the grubscrews.

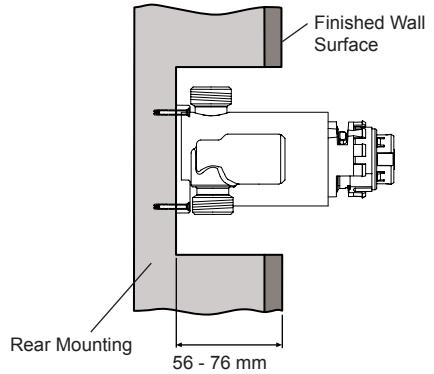


- Determine the position of the mixer and draw around the **inside** of the concealing ring.

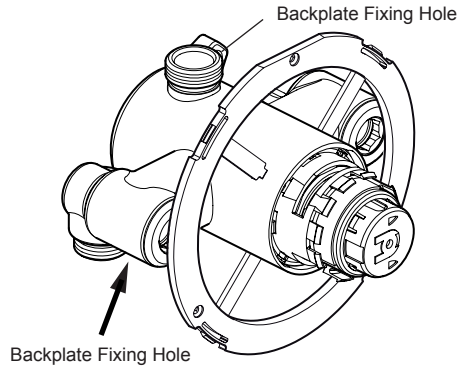


- Carefully cut away the plasterboard and/or brick work to a depth of between 56 and 76 mm from the **finished wall surface**.

Important! Take care to stay within the marked out diameter otherwise the concealing ring will not seal.



- Fit the concealing ring over the mixer body, then, holding the mixer level, central and square in the hole, mark the positions of the two backplate fixing holes on the wall.



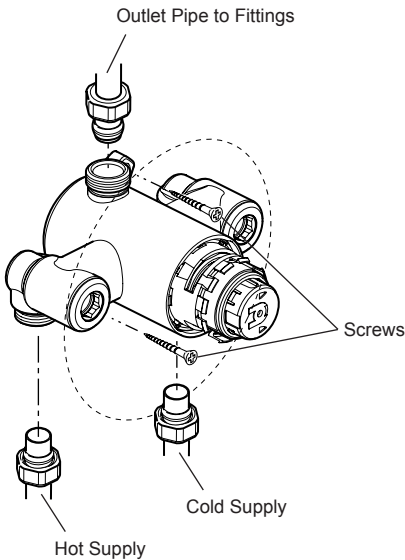
- For solid walls drill two 6 mm holes for the wall plugs. For other types of wall structure alternative fixings may be required (not supplied).

- Caution!** It is essential at this point that the supply pipework is thoroughly flushed through before connection to the mixer. Failure to do so may result in product malfunction and will not be covered under the guarantee.

- Insert the wall plugs (supplied) and attach the mixer to the wall or timber noggin with the screws provided.
- Fit the compression nuts and olives onto the pipework, connect the pipes and tighten the compression nuts.

Important! Make sure that the outlet pipework protrudes through the wall by approximately 30 mm and temporarily cap off.

Important! For stud partition/laminated panel installations fit the wallplate over the outlet pipework on the inside of the panel. The outlet pipework should then be installed through a 25 mm hole in the panel.



- Turn on the water supplies and check for leaks.
- Determine the finished wall position (e.g. tile thickness). Turn off the water supply, carefully uncap the outlet pipe and cut to length, the outlet pipe must protrude through the **finished wall surface** by 21–23 mm.

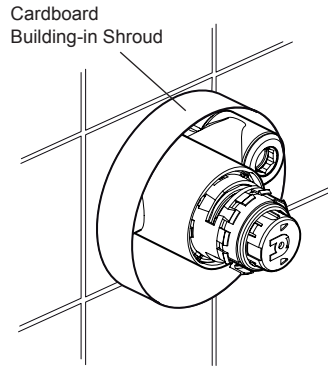
Note! Remove any burrs from the pipes before proceeding.

- For solid wall installations go to instruction 17.

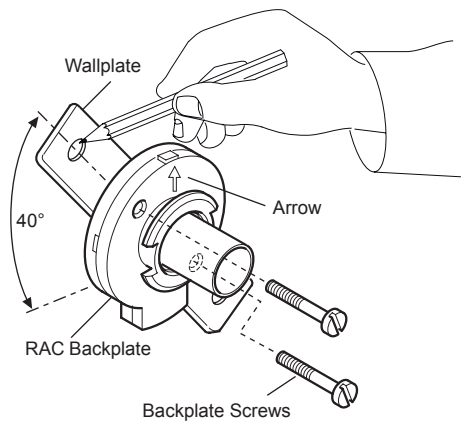
For stud partition/laminated panel installations, finish the wall, then go to instruction 25.

Important! Make sure that you use the cardboard building-in shroud when finishing the wall. This will protect the valve and make sure that you tile up to the correct diameter.

Caution! Make sure that the finished wall is within the maximum and minimum limits and to an even depth (no greater than 2 mm variation) or the controls will not fit correctly.



- Loosely screw the RAC backplate to the wallplate, using the two backplate screws provided.
- Place the backplate/wallplate assembly over the outlet pipe with the arrow pointing vertically up. The screw holes should be at 40° to the horizontal.
- Mark the positions of the two wallplate fixing holes.

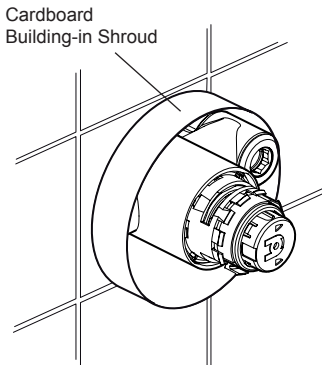


20. Remove the assembly from the wall and separate the backplate from the wallplate.
21. For solid walls drill two 6 mm holes for the wall plugs. For other types of wall structure alternative fixings may be required (not supplied). If necessary, make a recess 6 mm deep to accept the wallplate for flush fitting of the outlet to the wall surface.

Caution! Make sure that you do not drill into pipework in the wall.

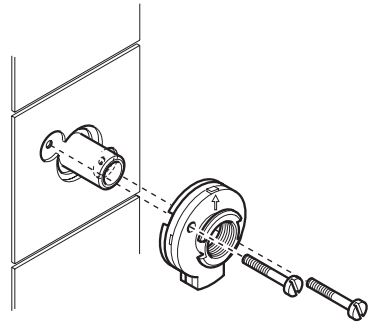
22. Fit the two wall plugs supplied and secure the wallplate to the wall with the two wallplate screws.
23. Make sure that there is clearance behind the wallplate and temporarily fit the two backplate screws into the wallplate. This will prevent the fixing holes from becoming blocked with plaster or grout.
24. Finish the wall, e.g. tiles, then remove the two backplate screws.

Important! Make sure that you use the cardboard building-in shroud when finishing the wall. This will protect the valve and make sure that you tile up to the correct diameter.

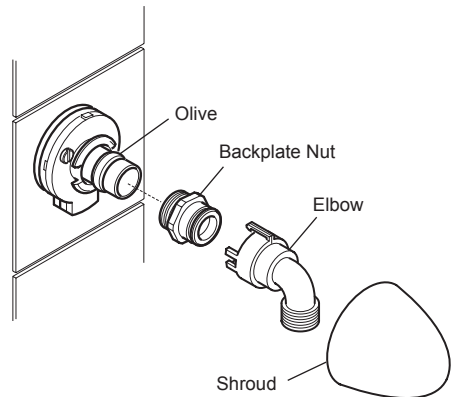


Caution! Make sure that the finished wall is within the maximum and minimum limits and to an even depth (no greater than 2 mm variation) or the controls will not fit correctly.

25. Place the backplate over the outlet pipe with the arrow pointing vertically up and tighten the two backplate screws. Make sure that the foam seal abuts the finished wall surface.

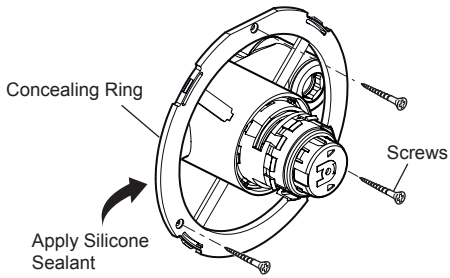


26. Check that the 'O' seal is fitted inside the backplate nut. Fit the olive and the backplate nut over the outlet pipe and tighten the nut.
27. Check that the second 'O' seal is fitted to the outside of the backplate nut. Press the elbow onto the backplate, make sure that the clips on the elbow engage with the backplate.
28. Press the shroud over the elbow, make sure that it engages with the lugs on the backplate.



29. Fit the concealing ring over the mixer and mark the positions of the three fixing holes.
30. For solid walls drill three 6 mm holes for the wall plugs. For other types of wall structure alternative fixings may be required (not supplied).
- Caution!** Make sure that you do not drill into pipework in the wall.
31. Insert the wall plugs (supplied) and attach the concealing ring to the wall with the screws provided.

Important! Apply silicone sealant to the groove on the rear face of the concealing ring



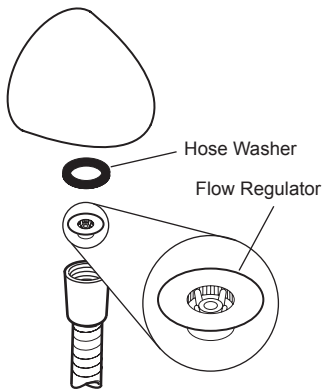
32. Fit the concealing plate to the concealing ring.

33. Refit the control knobs.

34. Fit the shower fittings, refer to your shower fittings installation and user guide for instructions.

Important! Make sure that the 12 litre/minute flow regulator (supplied) is fitted under the hose washer (refer to illustration).

Note! This can be left out for gravity fed / other low pressure systems (0.5 bar or below).



35. Turn on the hot and cold water supplies and check for leaks.

36. Before using the shower, refer to section: 'Commissioning'.

COMMISSIONING

Maximum Temperature Setting

Before using the shower the maximum temperature must be checked to make sure that it is at a safe level. It has been preset to approximately 43°C at the factory but due to variations in site conditions the maximum temperature may need adjustment.

Note! Make sure that the hot water temperature is at least 55°C and that there is sufficient supply.

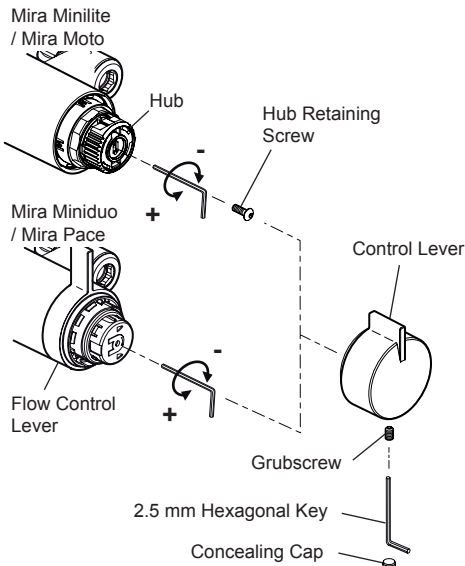
1. Turn on the mixer to the maximum temperature and maximum flow (i.e. fully anticlockwise) and allow the temperature to stabilise.

If the temperature is too hot or too cold adjust as follows:

2. Carefully remove the concealing cap from the control knob.
3. Loosen the control lever grubscrew with the 2.5 mm hexagon key (supplied) and pull off the control lever.
4. If applicable unscrew the hub retaining screw with a 2.5 mm hexagon key.

Note! Do not remove the hub.

6. Rotate the hexagon key until the required maximum temperature is obtained at the shower. Anticlockwise to increase the temperature, or clockwise to decrease the temperature ($\frac{1}{4}$ turn = approximately 1°C).
 7. Once the desired maximum blend temperature has been achieved turn off the mixer by rotating either the hub or flow control lever (depending on model) fully clockwise.
- Note!** Do not remove the hub.
8. If applicable refit the hub retaining screw.
 9. Refit the control lever with the lever at the top and retighten the grubscrew.
 10. Check that the shower temperature is correct.



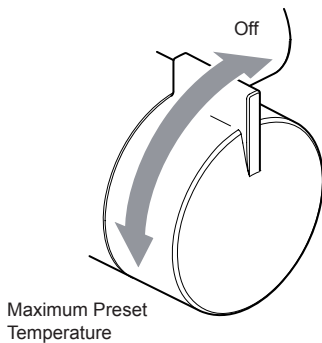
5. Insert the 2.5 mm hexagon key into the centre of the spindle and engage with the recessed temperature adjusting screw.

OPERATION

The **Mira Moto** and **Mira Minilite** thermostatic mixers have a single sequential control lever for on/off and temperature control.

The control lever operates anti-clockwise in the following sequence:

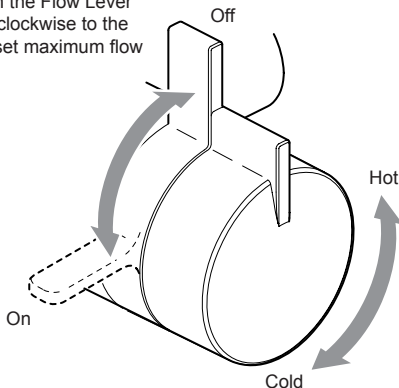
- Off
- On
- Cold
- Warm
- Maximum Preset Temperature



The **Mira Pace** and **Mira Miniduo** thermostatic mixers have separate control levers for on/off and temperature.

The control levers operate anti-clockwise in the following sequence:

Turn the Flow Lever anticlockwise to the preset maximum flow



Turn the Temperature Control Handle clockwise to decrease the temperature and anticlockwise to the preset maximum temperature

USER MAINTENANCE

If you require a Mira trained service engineer or agent, refer to section: '**Customer Services**'.

Fault Diagnosis

Symptom:

- Only hot or cold water from the mixer outlet.
- Outlet temperature too hot / too cold.

Cause Rectification:

- Inlets reversed (hot supply to cold supply). Refer to section: '**Reversed Inlet Supplies**'.
 - No hot water reaching mixer.
 - Check the filters for any blockage.
 - Installation conditions outside operating parameters, refer to sections: '**Specifications**' and '**Commissioning**'.
-

Symptom:

- Fluctuating or reduced flow rate.

Cause Rectification:

- Check the shower handset, hose and filters for any blockage.
 - Make sure that the maintained inlet pressures are nominally balanced and sufficient, refer to section: '**Specifications**'.
 - Make sure that the inlet temperature differentials are sufficient, refer to section: '**Specifications**'.
 - Flow regulator fitted incorrectly.
 - Air lock or partial blockage in the pipework.
-

Symptom:

- Water leaking from shower handset.

Cause Rectification:

- Normal for a short period after shut off.
- Check that the pressures are not in excess of the specifications for the product.
- Renew the thermostatic cartridge.

Lubricants

Silicone based lubricants must only be used on the rubber seals.

Caution! Oil based or other lubricant types may cause rapid deterioration of seals.

Cleaning

The chrome plated parts should be cleaned using a mild washing up detergent or soap solution, rinsed and then wiped dry with a soft cloth.

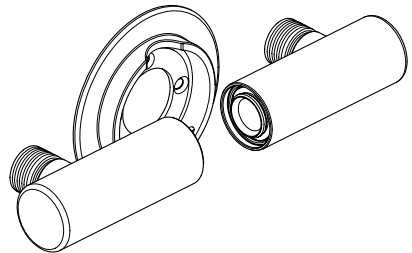
Warning! Many household cleaners contain abrasive and chemical substances, and should not be used for cleaning plated or plastic fittings.

Do not use descalents on this product.

ACCESSORIES

1663.012 Universal Retrofit Accessory Kit:

Universal retrofit accessory kit comprising of extendable elbows and an adjustable backplate, designed to allow the thermostatic mixer to accept pipework centres from 133 mm to 153 mm for retro-fit installations. Available as an optional accessory from your Kohler Mira stockists.



NOTES

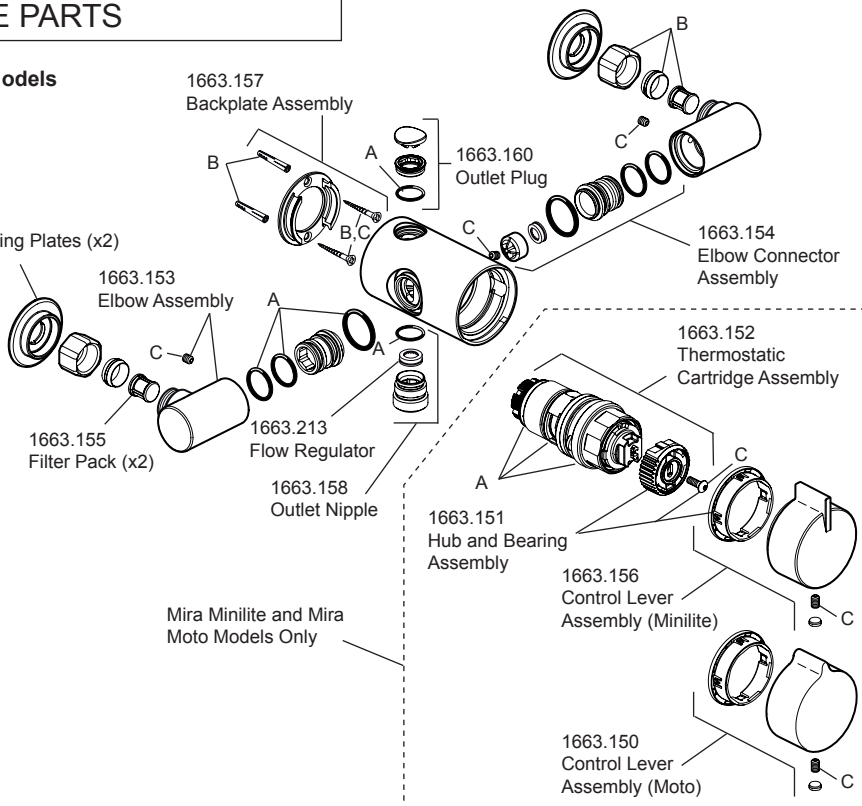
NOTES

NOTES

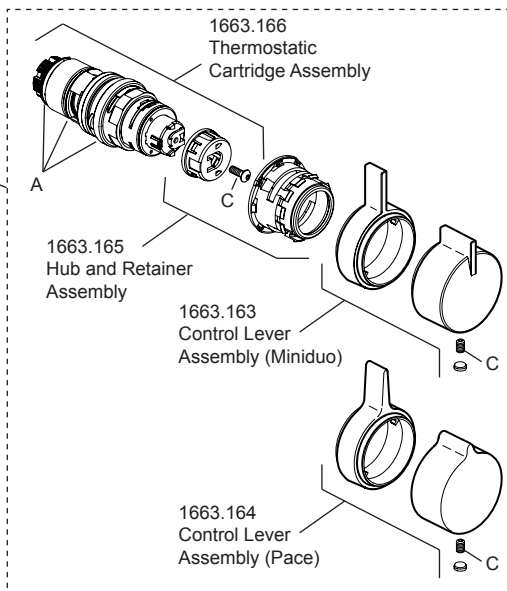
SPARE PARTS

Exposed Models

1663.156
Pipe Concealing Plates (x2)



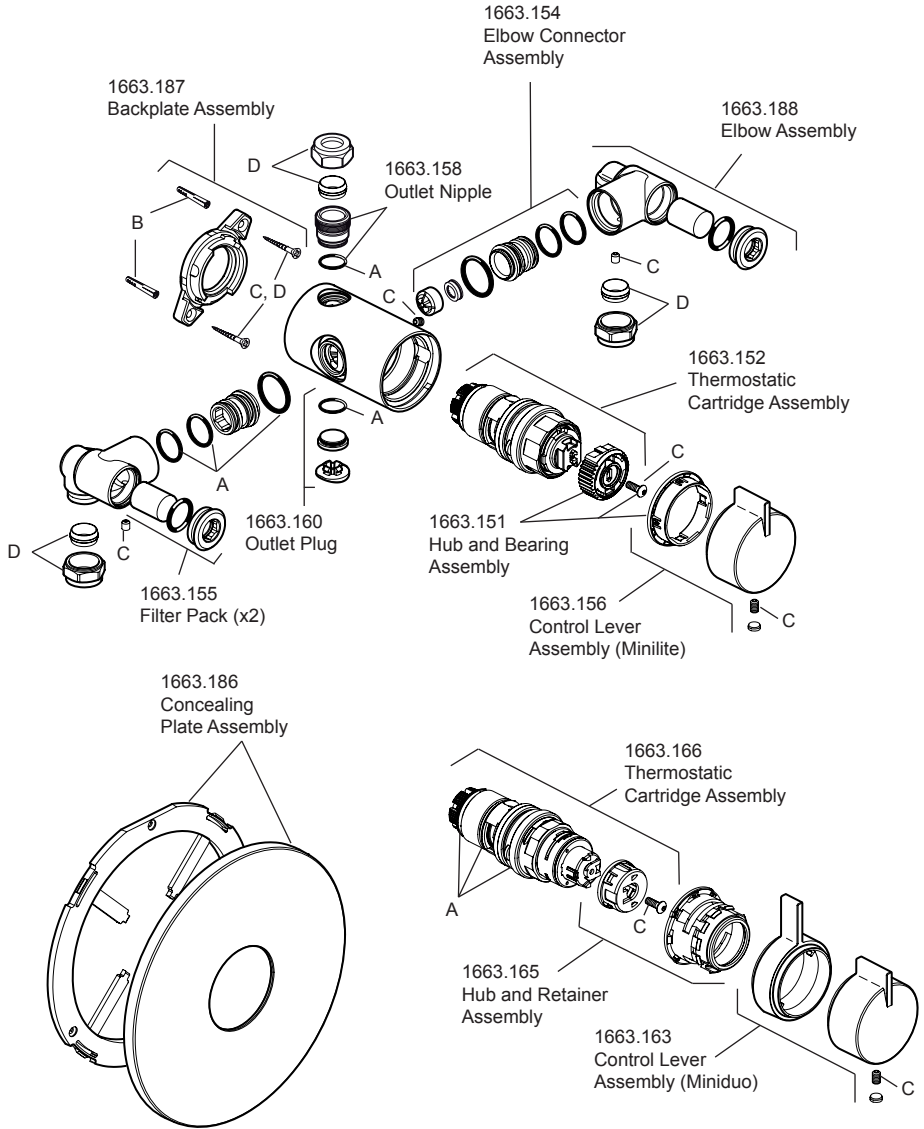
Mira Miniduo and Mira Pace Models Only



- 1663.159 Seal Pack - components identified 'A'
- 1663.161 Component Pack - components identified 'B' (also includes 2.5 mm Hexagonal Key)
- 1663.162 Screw Pack - components identified 'C'
- 1663.213 Flow Regulator (12 L/Min)

Note! All spare parts supplied singularly unless stated otherwise.

Built-in Models



- 1663.159 Seal Pack - components identified 'A'
- 1663.162 Screw Pack - components identified 'C'
- 1663.189 Component Pack - components identified 'D' (also includes Flow Regulator and 2.5 mm Hexagonal Key)

CUSTOMER SERVICE

Guarantee of Quality

Mira Showers guarantee your product against any defect in materials or workmanship for the period shown in the Guarantee Registration Document included with your shower.

Alternatively, to confirm the applicable guarantee period please contact Customer Services.

To validate the guarantee, please return your completed registration card.

Within the guarantee period we will resolve defects, free of charge, by repairing or replacing parts or modules as we may choose.

To be free of charge, service work must only be undertaken by Mira Showers or our approved agents.

Service under this guarantee does not affect the expiry date.

The guarantee on any exchanged parts or product ends when the normal product guarantee period expires.

Not covered by this guarantee:

Damage or defects arising from incorrect installation, improper use or lack of maintenance, including build-up of limescale.

Damage or defects if the product is taken apart, repaired or modified by any persons not authorised by Mira Showers or our approved agents.

This guarantee is in addition to your statutory and other legal rights.

What to do if something goes wrong

If when you first use your shower, it doesn't function correctly, first contact your installer to check that installation and commissioning are satisfactory and in accordance with the instructions in this manual. We are on hand to offer you or your installer any advice you may need.

Should this not resolve the difficulty, simply contact our Customer Services Team who will give every assistance and, if necessary, arrange for our service engineer to visit. If the performance of your shower declines, consult this manual to see whether simple home maintenance is required. Please call our Customer Services Team to talk the difficulty through, request a service under guarantee if applicable, or take advantage of our comprehensive After-Sales Service.

As part of our quality and training programme calls may be recorded or monitored.

Our Customer Services Team is comprehensively trained to provide every assistance you may need: help and advice, spare parts or a service visit.

Spare Parts

We maintain an extensive stock of spares and aim to provide support throughout the product's expected life.

Spares can be purchased from approved stockists or merchants (locations on request) or direct from Customer Services.

Spares direct will normally be despatched within two working days. Payment can be made by Visa or MasterCard at the time of ordering. Should payment by cheque be preferred, a pro-forma invoice will be sent.

All spares are guaranteed for 12 months from date of purchase. Spares that have been supplied directly from us can be returned within one month from date of purchase, providing that they are in good order and the packaging is unopened.

Note! Returned spares will be subject to a 15% restocking charge and authorisation must be obtained before return. Please contact our Customer Services Team.

Note! In the interests of safety, spares requiring exposure to mains voltages can only be sent to competent persons.

Service

Our Service Force is available to provide a quality service at a reasonable cost. You will have the assurance of a Mira trained engineer/agent, genuine Mira spare parts and a 12 month guarantee on the repair.

Payment should be made directly to the engineer/agent using Visa, MasterCard or a cheque supported by a banker's card.

To Contact Us

England, Scotland, Wales and Northern Ireland

Mira Showers Customer Services

Telephone: 0870 241 0888, Mon to Fri 8:00 am - 5:30 pm
Sat 8:30 am - 3:30 pm

E-mail: technical@mirashowers.com

Fax: 01242 282595

By Post: Cromwell Road, Cheltenham,
Gloucestershire, GL52 5EP

Eire

Modern Plant Ltd (Dublin)

Telephone: 01 459 1344, Mon to Fri 9:00 am - 5:00 pm

E-mail: sales@modernplant.ie

Fax: Dublin 01 459 2329

Post: Otter House, Naas Road,
Clondalkin, Dublin 22

Modern Plant (Cork)

Telephone: 021 496 8755, Mon to Fri 9:00 am - 5:00 pm

E-mail: cork@modernplant.ie

Fax: 021 496 8607

Post: Tramore Road, Cork



Mira is a registered trade mark of
Kohler Mira Limited.

The company reserves the right to alter
product specifications without notice.

www.mirashowers.com

mira
SHOWERS



FM 14648