

Mira Verve Thermostatic Bath Shower Mixer Installation and User Guide

MODEL NUMBERS

1591.006 - Wall Mounted, 1591.005 - Deck Mounted

Important! Please quote the above model number(s) when ordering spares

IMPORTANT

INSTALLER: THIS MANUAL IS THE PROPERTY OF THE CUSTOMER AND MUST BE RETAINED WITH THE PRODUCT FOR MAINTENANCE AND OPERATIONAL PURPOSES.

CONTENTS

Introduction	3
General.....	3
Guarantee	3
Pack Contents	4
Wall Mounted Bath Shower Mixer	4
Deck Mounted Bath Shower Mixer.....	4
Safety warnings.....	5
Specification	6
Pressures	6
Supply Temperatures	6
Installation	7
Suitable Plumbing Systems.....	7
General.....	8
Solid Wall Installation (Wall Mounted Mixer)	8
Stud Partition, Panel, or Unfixed Rear-entry Pipework Installation	10
Deck Mounted Installation.....	12
Finish the Installation.....	13
Commissioning	13
Maximum Temperature Setting	13
Operation	14
Fault diagnosis	15
Fault Diagnosis.....	15
User Maintenance.....	16
Cleaning	16
Cleaning the Inlet Filters and Non-return Valve Assemblies	16
Thermostatic Cartridge Removal.....	17
Thermostatic Cartridge Installation.....	17
Spare Parts	19
Wall Mounted Bath Shower Mixer	19
Deck Mounted Bath Shower Mixer.....	19
Dimensions	20
Accessories	22
Notes	23
Customer Care.....	24

INTRODUCTION

General

Thank you for purchasing a quality Mira product. To enjoy the full potential of your new product, please take time to read this guide thoroughly, having done so, keep it handy for future reference.

The Mira Verve Thermostatic Bath Shower Mixer is designed either for wall mount or deck mounted installations. The mixer has separate controls for flow and temperature selection with a diverter to divert from bath to shower outlet.

The flow control is a 1/2 turn ceramic headwork. Both the shower and bath outlets are fully thermostatic controlled by a thermostatic cartridge incorporating a user adjustable maximum temperature stop.

These products have been certified as Type 2 valves under the BUILDCERT TMV2 scheme. They also comply with the Water Supply (water fittings) Regulations 1999.

Application

The approved designations for Type 2 Valves are as follows:

Models	Designation
Mira Verve BSM	HP-S, HP-T

For Type 2 Valves refer to the TMV2 Requirements Manual.

Guarantee

For **domestic installations**, Mira Showers guarantee the products listed in this guide against any defect in materials or workmanship for a period of **five** years from the date of purchase (shower fittings for one year).

For **non-domestic installations**, Mira Showers guarantee the products listed in this guide against any defect in materials or workmanship for a period of **one** year from the date of purchase.

For terms and conditions refer to the back cover of this guide.

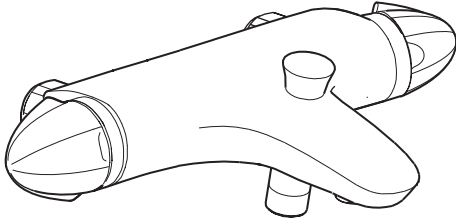
Recommended Usage

Application	Mixer with Fittings
Domestic	✓
Light Commercial	✓
Heavy Commercial	✗
Healthcare	✗

PACK CONTENTS

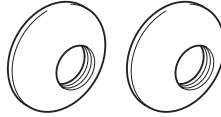
Tick the appropriate boxes to familiarise yourself with the part names and to confirm that the parts are included.

Wall Mounted Bath Shower Mixer



1 x Bath Shower Mixer

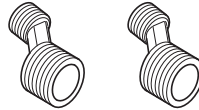
2 x Concealing Plates



2 x Washers / Filters

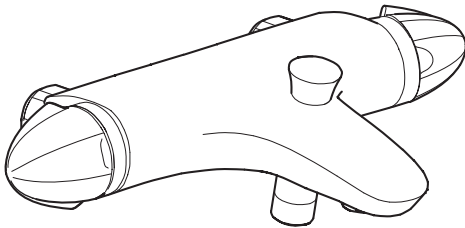


2 x Inlet Connectors

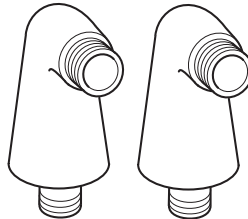


2 x Wall Mounting Brackets

Deck Mounted Bath Shower Mixer



1 x Bath Shower Mixer



2 x Deck Mounts



2 x Washers / Filters



2 x Foam Seals



2 x Washers



2 x Nuts

Documentation

1 x Guarantee Registration Document

1 x TMV2 Requirements Manual

SAFETY WARNINGS

Mira thermostatic mixers are precision engineered and should give continued safe and controlled performance, provided:

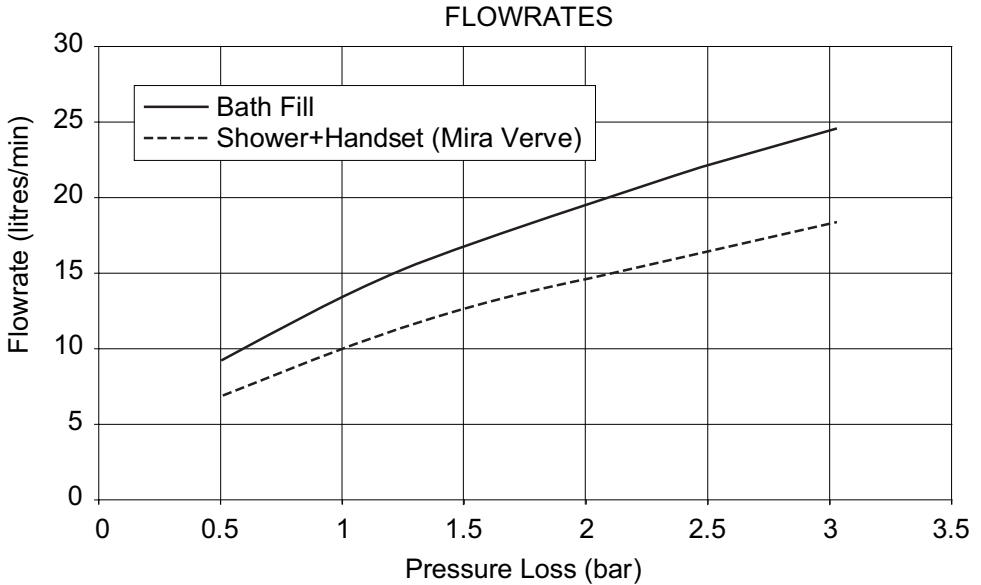
1. They are installed, commissioned, operated and maintained in accordance with manufacturer's recommendations.
2. Type 2 Valves are only used for applications covered by their approved designations, refer to the TMV2 Requirements Manual.
3. Periodic attention is given, when necessary, to maintain the product in good functional order.

Caution!

1. Read all of these instructions.
2. Retain this guide for later use.
3. Pass on this guide in the event of change of ownership of the installation site.
4. Follow all warnings, cautions and instructions contained in this guide.
5. Anyone who may have difficulty understanding or operating the controls of any shower should be attended whilst showering. Particular consideration should be given to the young, the elderly, the infirm or anyone inexperienced in the correct operation of the controls.
6. Rapid/Excessive movement of the flow and/or temperature control levers may result in momentary unstable blend temperatures.
7. Care is required when adjusting flow or temperature, make sure that the temperature has stabilised.
8. When this product has reached the end of its serviceable life, it should be disposed of in a safe manner, in accordance with current local authority recycling, or waste disposal policy.

Flow Graph

Typical flow rate with Mira Verve BSM Handset



INSTALLATION

Suitable Plumbing Systems

Gravity Fed: (Minimum head 0.5 bar - 5 metres)

The thermostatic mixer must be fed from a cold water cistern (usually fitted in the loft space) and a hot water cylinder (usually fitted in the airing cupboard) providing nominally equal pressures.

Gas Heated System:

The thermostatic mixer can be installed with a combination boiler.

Unvented Mains Pressure System:

The thermostatic mixer can be installed with an unvented, stored hot water system.

Mains Pressurised Instantaneous Hot Water System:

The thermostatic mixer can be installed with systems of this type with balanced pressures.

Pumped System:

The thermostatic mixer can be installed with an inlet pump (twin impeller). The pump must be installed on the floor next to the hot water cylinder.

General

Installation must be carried out in accordance with these instructions, and must be conducted by designated, qualified and competent personnel.

The installation must comply with the “Water Supply Regulations 1999 (Water Fittings)” or any particular regulations and practices, specified by the local water company or water undertakers.

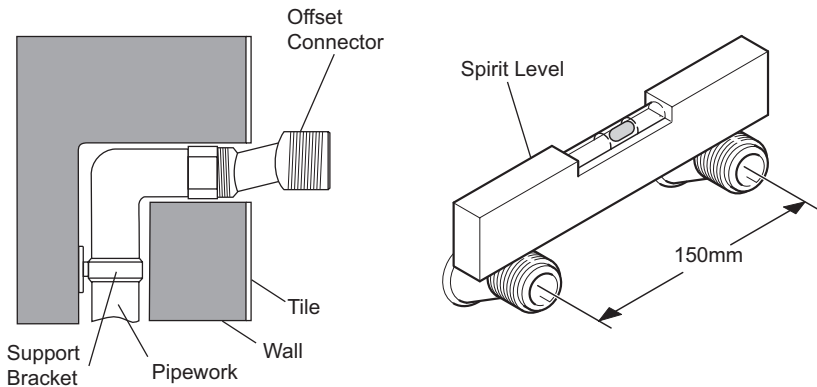
Note! Make sure that all site requirements correspond to the information given in section: ‘**Specifications**’. For Type 2 Valves see also supply conditions in the TMV2 Requirements Manual.

Note! Accessories to allow bar valves with 3/4” female connections to be easily installed onto exposed inlet supply pipework and also an alternative fixing method are available, see section ‘**Accessories**’

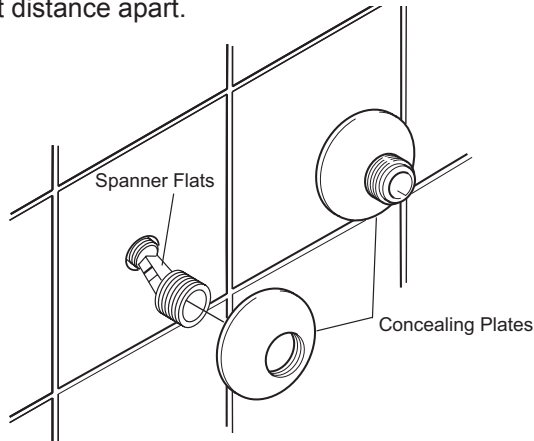
1. The Mixer must not be installed in an area where it may freeze.
2. For stud partitions alternative fixings may be required.
3. Isolating valves **must** be installed close to the Mixer for ease of maintenance.
4. Pipework must be rigidly supported and avoid any strain on the connections.
5. Pipework dead-legs should be kept to a minimum.
6. Decide on a suitable position for the Mixer. The position of the Mixer and the Shower Fittings must provide a minimum gap of 25 mm between the spill-over level of the shower tray/bath and the showerhead (refer to illustration). This is to prevent back-siphonage. For further information on the installation of your **Shower Fittings**, refer to the Fittings Installation and User Guide.
Note! Only use Shower Fittings recommended by the manufacturer or supplier.
7. Flush the pipework before fitting the mixer

Solid Wall Installation (Wall Mounted Mixer)

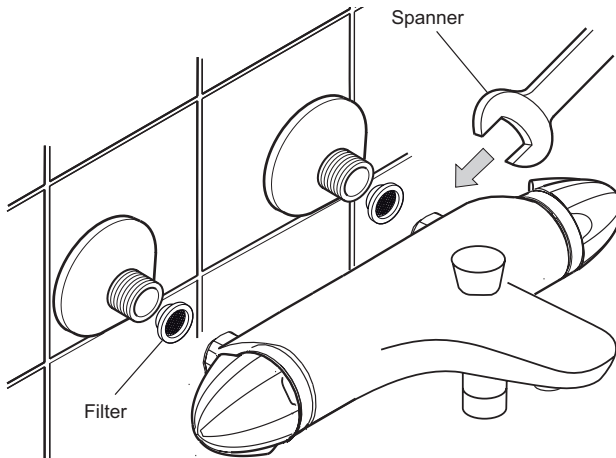
For installation onto a stud partition, laminated wall panel or unfixed rear-entry pipework, refer to the section **Stud Partition, Laminated Panel, or Unfixed Rear-entry Pipework Installation**.



1. Make sure that the pipework is set at the correct distance apart and solidly fixed as this supports the valve.
2. Apply a suitable thread sealant (not supplied) and attach the offset connectors to the pipework in the wall. Make sure that the connectors are level and set at the correct distance apart.



3. Tighten the offset connectors using a spanner on the spanner flats.
4. Screw the concealing plates onto the offset connectors until they come into contact with the wall. Seal with a suitable sealant.

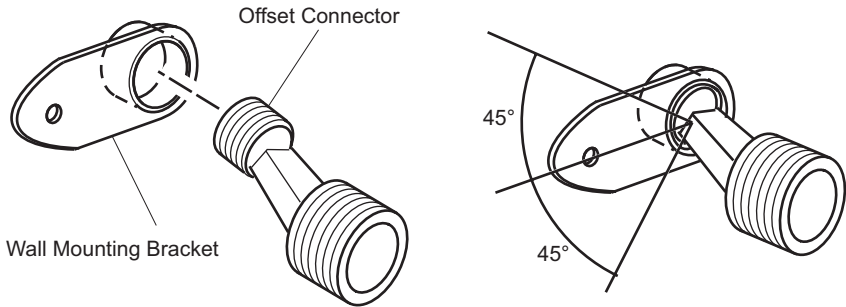


5. Fit the filters into the offset connectors.

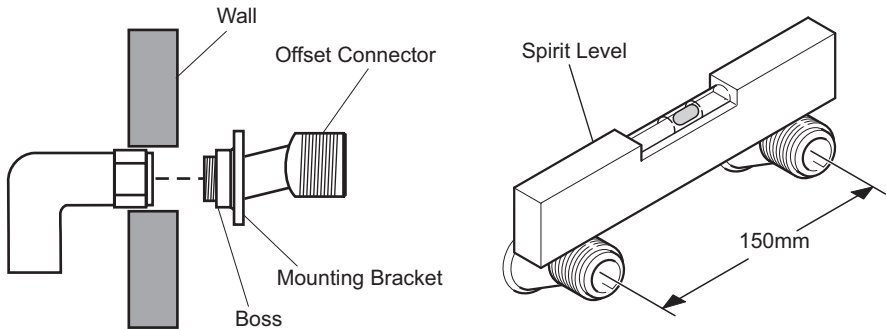
Caution! make sure that you protect the chrome plated surfaces when you tighten the nuts.

6. Align the mixer and connections and tighten the nuts using a suitable spanner.
7. Refer to the section **Finish the Installation**.

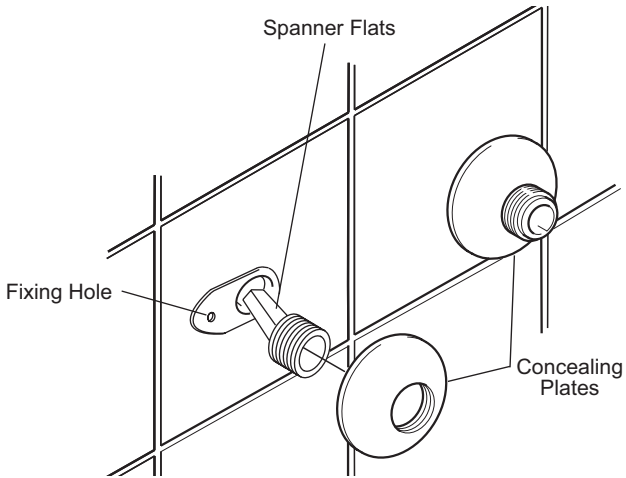
Stud Partition, Laminated Panel, or Unfixed Rear-entry Pipework Installation



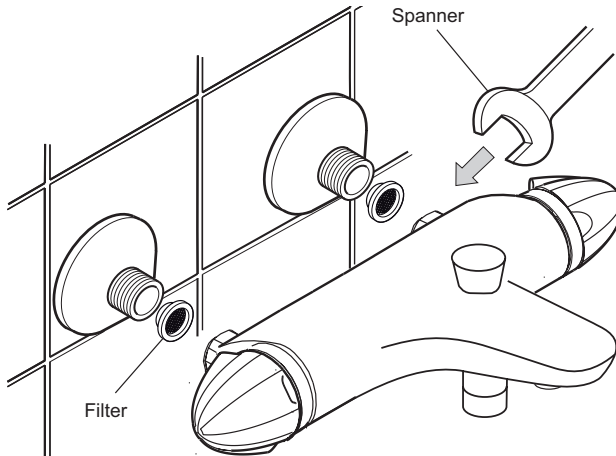
1. Screw the mounting bracket onto the offset connectors.
2. The mounting bracket must extend in the same direction as the offset of the offset connector. The angle between the offset connector and the mounting bracket must be less than 45°. Otherwise, the mounting bracket will not fit under the concealing plate.



3. The mounting bracket boss should protrude to the rear, facing the wall.
4. Apply suitable thread sealant (not supplied) and attach the offset connectors to the pipework in the wall. Make sure that the connectors are level and set at the correct distance apart.



5. Tighten the offset connectors using a spanner on the spanner flats.
6. Fix the mounting bracket to the wall through the small hole, using the appropriate wall fixings for the type of wall (not supplied).
7. Screw the concealing plates onto the offset connectors until they come into contact with the wall. Seal with an suitable sealant.

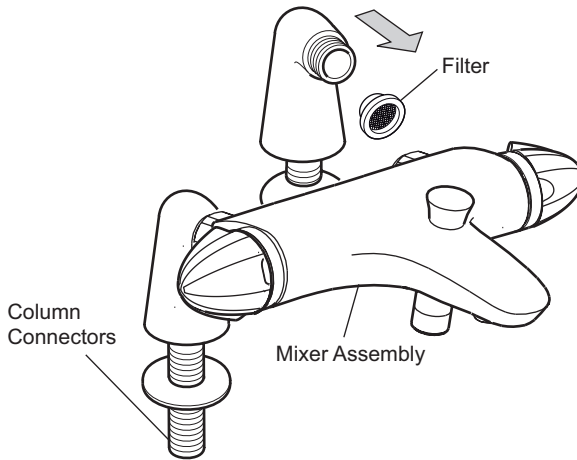


8. Fit the filters into the offset connectors.

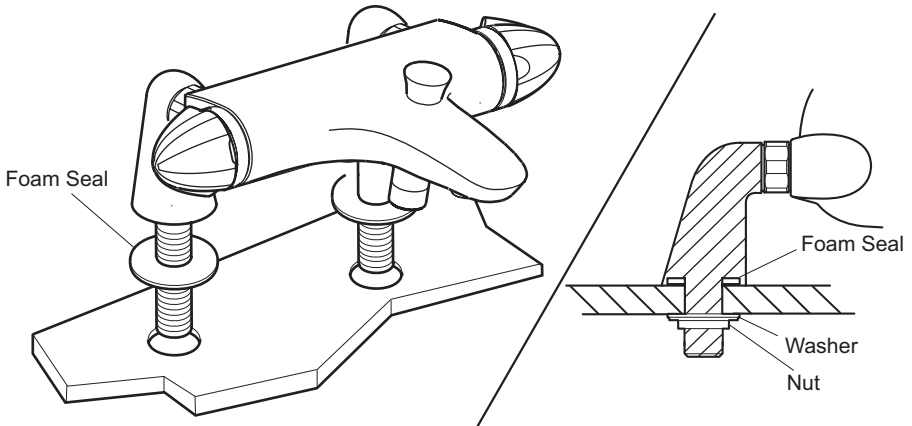
Caution! make sure that you protect the chrome plated surfaces when you tighten the nuts.

9. Align the mixer and connections and tighten the nuts using a suitable spanner.
10. Refer to the section **Finish the Installation**.

Deck Mounted Installation



1. Screw the two deck mount connectors to the mixer with the filters fitted and hand tighten.



2. Fit the foam seal over the threaded section of the deck mount connectors.
3. Fit the mixer on the top of the bath.
4. Install the washers and the locknuts. Use a tap spanner to tighten the nuts.
Note! Make sure that you protect the chrome plated surfaces when tightening the nuts.
5. Fully tighten the two nuts connecting the mixer to the inlet connectors.
6. Refer to section **Finish the Installation**.

Finish the Installation

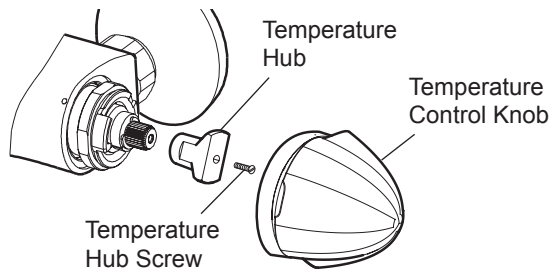
1. Make sure that the mixer is turned off.
2. Turn on the hot and cold water supply and check for leaks from all connections. Take special care to check for any leaks from the connections in the wall.
3. After flushing the pipework, check the inlet filters are clean. Remove and flush with clean water if necessary.
4. Install the shower hose to the outlet.

COMMISSIONING

Maximum Temperature Setting

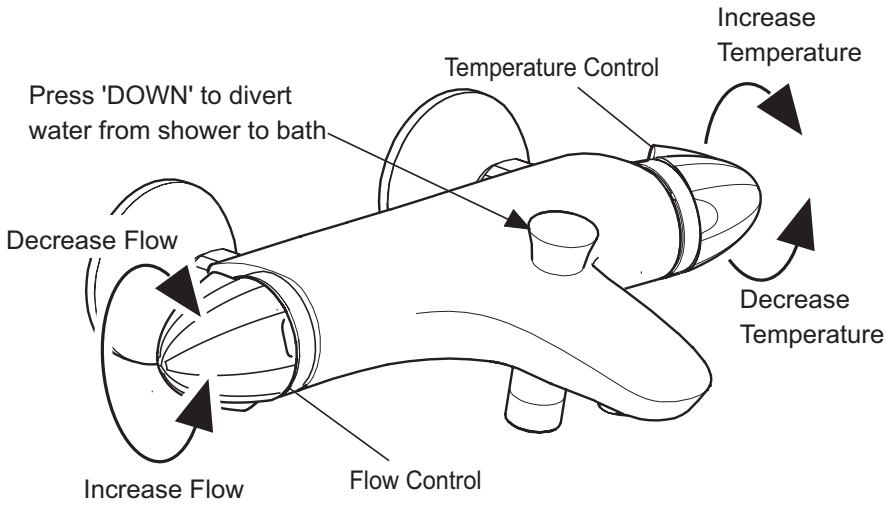
Before using the shower the maximum temperature must be checked to make sure that it is at a safe level. It has been preset to approximately 46°C at the factory but due to variations in site conditions the maximum temperature may need adjustment.

Note! Make sure that there is a sufficient supply of hot water and the temperature is at least 55°C. For Type 2 installations the maximum blend temperature must not exceed 46°C.



1. Turn on the bath.
2. Turn the temperature knob to full hot and test the temperature of the water from the outlet. If the water is not at the required temperature, proceed with the following procedure.
3. Turn off the mixer.
Note! Force will be required to pull the temperature control knob from the Mixer.
4. Carefully remove the temperature control knob.
5. Unscrew the hub retaining screw.
6. Remove the temperature hub and replace it one spline clockwise to increase the temperature, or one spline anti-clockwise to decrease the temperature.
7. Tighten the hub retaining screw.
8. Refit the temperature knob. Make sure the stop feature inside the knob is towards the top.
9. Turn on the mixer and check the maximum temperature setting. If further adjustment is required repeat the above procedure.

OPERATION



FAULT DIAGNOSIS

If you require a Mira trained service engineer or agent, refer to section: '**Customer Services**'.

Fault Diagnosis

Symptom:

- *Only hot or cold water from the mixer outlet.*
- *Outlet temperature too hot / too cold.*

Cause / Rectification:

- *Inlets reversed (hot supply to cold supply). Rework inlet pipework.*
 - *No hot or cold water reaching the mixer.*
 - *Check the filters for any blockage.*
 - *Installation conditions outside operating parameters, refer to sections: 'Specifications' and 'Commissioning'.*
-

Symptom:

- *Fluctuating or reduced flow rate.*

Cause / Rectification:

- *Check the showerhead, hose and filters for any blockage.*
 - *Make sure that the maintained inlet pressures are nominally balanced and sufficient, refer to section: 'Specifications'.*
 - *Make sure that the inlet temperature differentials are sufficient, refer to section: 'Specifications'.*
 - *Flow regulator fitted incorrectly (if fitted).*
 - *Air lock or partial blockage in the pipework.*
-

Symptom:

- *Water leaking from showerhead.*

Cause / Rectification:

- *Normal for a short period after shut off.*
- *Check that the pressures are not in excess of the specifications for the product.*
- *Renew the flow cartridge assembly.*

USER MAINTENANCE

Lubricants

Silicone based lubricants must only be used on the rubber seals.

Caution! Oil based or other lubricant types may cause rapid deterioration of seals.

Cleaning

The chrome plated parts should be cleaned using a mild washing up detergent or soap solution, rinsed and then wiped dry with a soft cloth.

Warning! Many household cleaners contain abrasive and chemical substances, and should not be used for cleaning plated or plastic fittings.

Do not use descalents on this product.

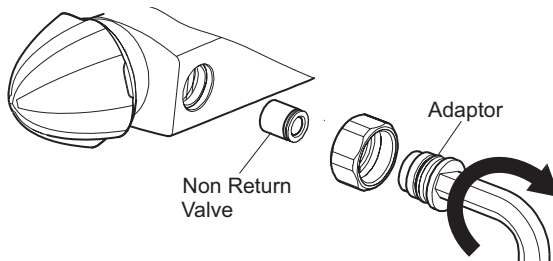
In-service Tests

The principal means for determining the continuing satisfactory performance of the mixing valve is the in-service test, refer to the TMV2 Requirements Manual.

Frequency of In-service Tests - Commercial (non-domestic installations)

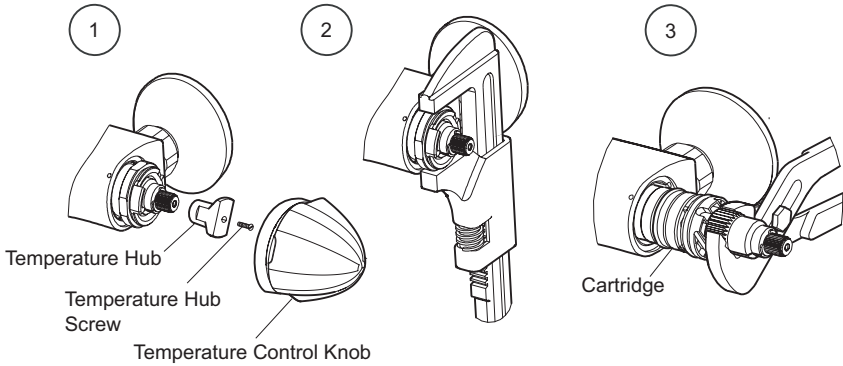
Check for correct blend setting every 6 months.

Cleaning the Inlet Filters and Non-return Valve Assemblies



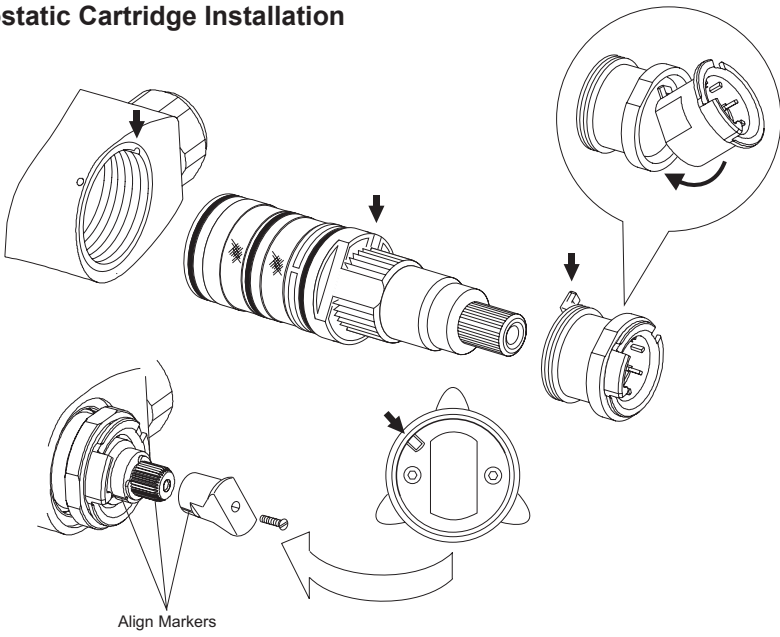
1. Turn off the water supply.
2. Open the flow control to relieve any trapped hot or cold pressure.
Caution! Make sure you protect the chrome plated surfaces when you untighten the nuts.
3. Use a suitable spanner to remove the valve from the wall.
4. Remove the filters.
5. Using a 12 mm hexagonal wrench rotate the adaptor clockwise to remove.
6. Remove the non-return valve.
7. Clean the filter and non-return valve by washing them under clean water or if damaged, replace them.
8. Reassemble the parts in reverse order.

Thermostatic Cartridge Removal



1. Turn off the water supply.
2. Open the flow side of the valve to relieve any hot or cold pressure.
Note! Force will be required to pull the temperature control knob from the Mixer.
3. Carefully remove the temperature control knob.
4. Unscrew the hub retaining screw and remove the temperature hub.
5. Use a suitable wrench or spanner to unscrew and remove the cartridge securing nut and stop block.
Caution! Make sure you protect the chrome plated surfaces when you remove the temperature cartridge.
6. Use a pair of grips to remove the temperature cartridge.

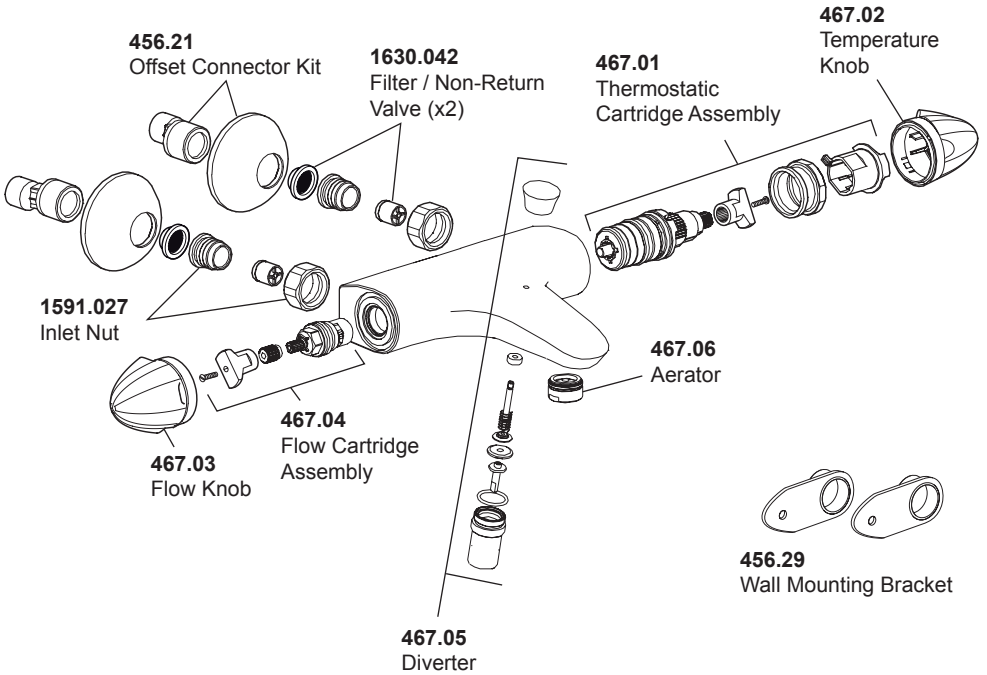
Thermostatic Cartridge Installation



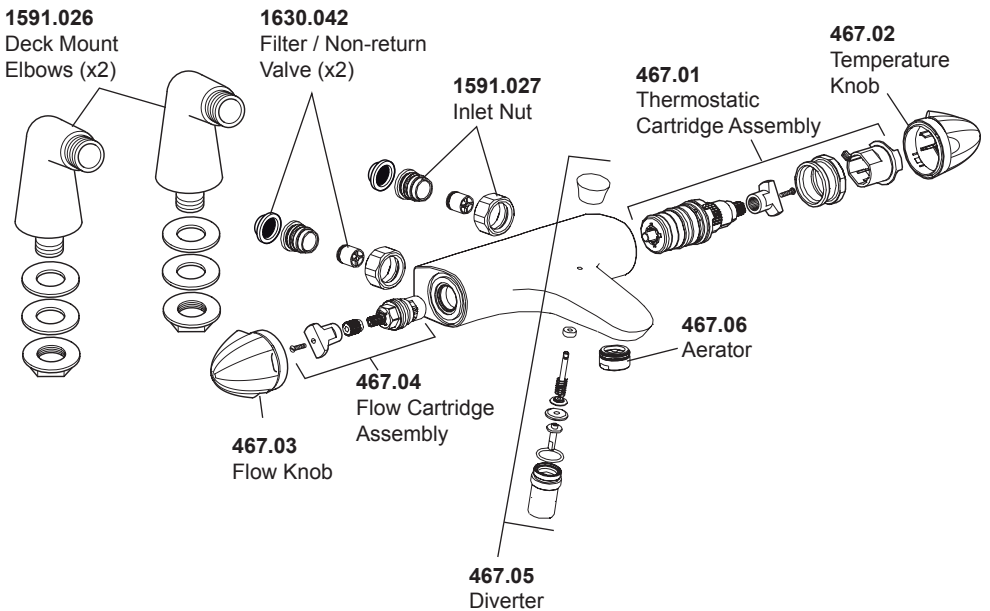
1. Install the stop ring into the nut.
2. Install the stop assembly on the thermostatic cartridge, adjusting the stop ring in the notch.
Note! Use only silicone based grease.
3. Install the thermostatic cartridge in the body, adjusting the stop pin in the notch.
4. Loosely tighten the nut.
5. Make sure that the thin black line aligns correctly with the slot.
6. Fit the temperature hub. Make sure that the slot on the hub aligns correctly with the thin black line and the slot on the thermostatic cartridge.
7. Install the temperature knob. Make sure the stop feature inside the knob is towards the top.
8. Turn on the water supply and check for leaks.
9. Reset the maximum temperature - refer to “**Commissioning**”.

SPARE PARTS

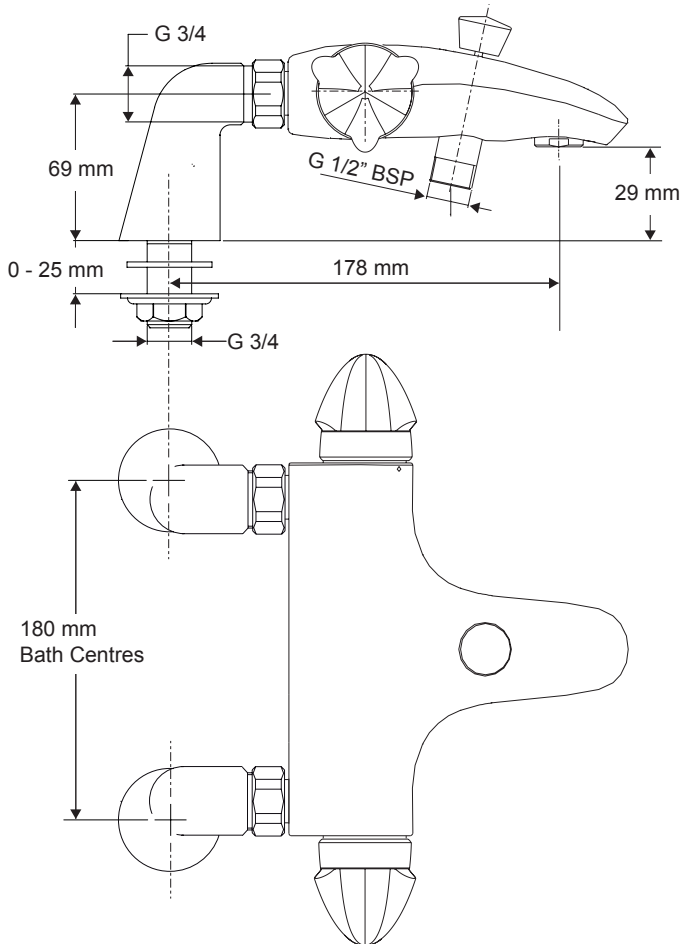
Wall Mounted Bath Shower Mixer

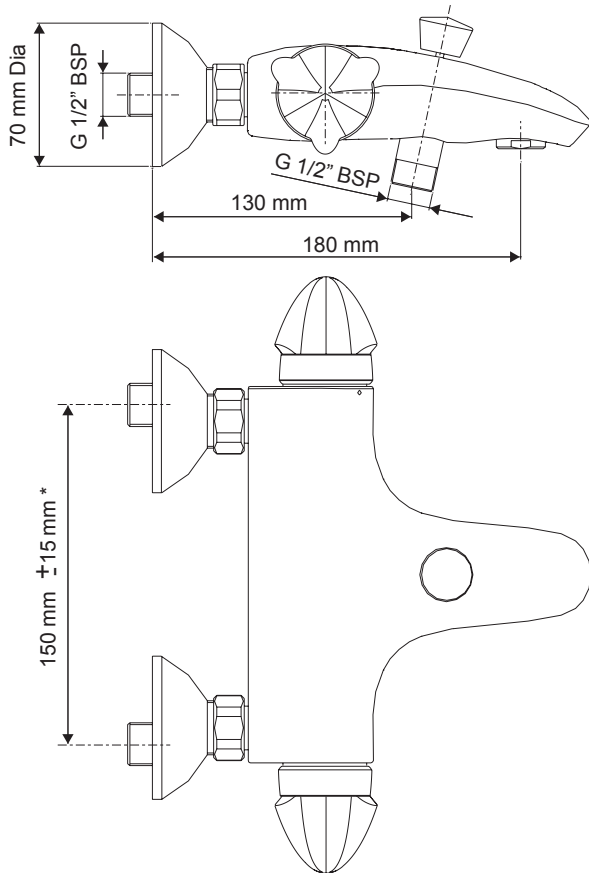


Deck Mounted Bath Shower Mixer



DIMENSIONS

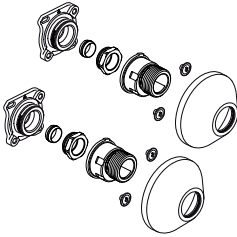




* ± 15 mm refers to the extremes of adjustment available with the offset connectors.

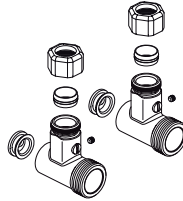
ACCESSORIES

Genuine Mira accessories can be purchased direct from Customers Services (our contact details can be found on the back cover of this guide) or from approved stockists or merchants.



Bar Valve Fixing Kit Chrome - 2.1663.017

A fixing kit designed to make the installation of bar valves easier and more secure than traditional 'Z' connectors.



Mira Bar Valve Fixing Elbows Chrome - 2.1712.002

Designed to allow any bar valve with 3/4" female connections to be easily installed onto exposed, rising or falling inlet supply pipework.

NOTES

CUSTOMER CARE

Guarantee

Your product has the benefit of our manufacturer's guarantee which starts from the date of purchase.

To activate this guarantee, please return your completed registration card, visit our website or free phone 0800 0731248 within 30 days of purchase (UK only).

Within the guarantee period we will resolve defects in materials or workmanship, free of charge, by repairing or replacing parts or product as we may choose.

This guarantee is in addition to your statutory rights and is subject to the following conditions:

- The guarantee applies solely to the original installation under normal use and to the original purchaser only. The product must be installed and maintained in accordance with the instructions given in this user guide.
- Servicing must only be undertaken by us or our appointed representative. **Note!** if a service visit is required the product must be fully installed and connected to services.
- Repair under this guarantee does not extend the original expiry date. The guarantee on any replacement parts or product ends at the original expiry date.
- For shower fittings or consumable items we reserve the right to supply replacement parts only.

The guarantee does not cover:

- Call out charges for non product faults (such as damage or performance issues arising from incorrect installation, improper use, inappropriate cleaning, lack of maintenance, build up of limescale, frost damage, corrosion, system debris or blocked filters) or where no fault has been found with the product.
- Water or electrical supply, waste and isolation issues.
- Compensation for loss of use of the product or consequential loss of any kind.
- Damage or defects caused if the product is repaired or modified by persons not authorised by us or our appointed representative.
- Routine maintenance or replacement parts to comply with the requirements of the TMV 2 or TMV 3 healthcare schemes.
- Accidental or wilful damage.
- Products purchased ex-showroom display.

What to do if something goes wrong

If your product does not work correctly refer to this manual for fault diagnosis and check that it is installed and commissioned in accordance with our instructions.

If this does not resolve the issue, contact us for help and advice.

Extended Guarantees

A selection of protection plans are available that enable you to cover repair bills (excludes Eire). Ring 01922 471763 for more details.



Helpdesk Service - Ring our Customer Services Team for product advice, to purchase spare parts or accessories or to set up service visit. You can contact us via phone or e-mail, details below. Please provide your model name, power rating (if applicable) and date of purchase.



Mira Showers Website (www.mirashowers.co.uk)

Visit our website to register your guarantee, download user guides, diagnose faults, purchase our full range of accessories and popular spares, or request a service visit.



Spares and Accessories - We hold the largest stocks of genuine Mira spares and accessories. Contact us for a price or visit our website to purchase items from our accessory range and popular spares.



Service/Repairs - No one knows our products better than our nationwide team of Service Technicians. We can carry out service or repair work to your product both during and after the guarantee period. Ask about our fixed price service repairs.

To Contact Us: UK



0844 571 5000



Fax: 01 242 282595



E-mail: Visit www.mirashowers.co.uk/contactus



Mira Customer Services Dept, Cromwell Road, Cheltenham, Gloucestershire, GL52 5EP

To Contact Us: Eire Only



01 459 1344



Fax: Dublin 01 459 2329



E-mail: sales@modernplant.ie



Modern Plant Ltd (Dublin), Otter House, Naas Road, Clondalkin, Dublin 22

Mira is a registered trade mark of Kohler Mira Limited.

The company reserves the right to alter product specifications without notice.



mira
SHOWERS