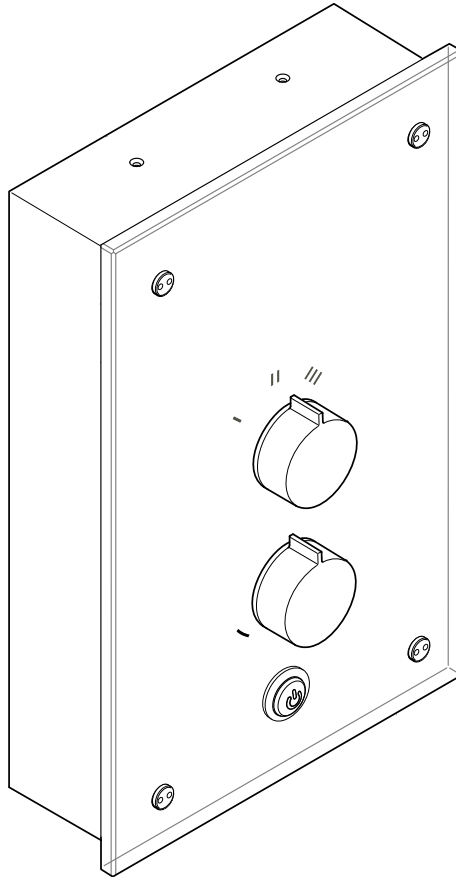


# Mira Azora

9.8 kW



These instructions must be left with the user

Installation and User Guide

*Showering perfection*

**mira**  
SHOWERS

# INTRODUCTION

Thank you for purchasing a quality Mira product. To enjoy the full potential of your new product, please take time to read this guide thoroughly. Having done so, keep it handy for future reference.

The Mira Azora is a thermostatic electric shower with separate controls for power selection and temperature/flow adjustment. A unique thermostatic valve stabilises temperature changes caused by water pressure fluctuations. These can result from taps being turned on or off, or a toilet being flushed. An individual light indicates “START/STOP”.

The Mira Azora comes complete with a set of Mira Energise Shower Fittings.

## Mira Azora 9.8 kW

A 9.8 kW 240 V AC (9.0 kW 230 V AC) heater with Mira Energise adjustable spray handset with four different spray actions (start, soothe, force and eco\*). Supplied complete with flexible hose, clamp bracket assembly, slide bar, supports, hose retaining ring and soap dish.

*\* The ‘eco’ setting will have no effect, and will give the same spray action as the ‘start’ setting.*

## Guarantee

For **domestic installations**, Mira Showers guarantee the Mira Azora 9.8 kW against any defect in materials or workmanship for a period of **two** years from the date of purchase (shower fittings for one year).

For **non-domestic installations**, Mira Showers guarantee the Mira Azora 9.8 kW against any defect in materials or workmanship for a period of **one** year from the date of purchase.

For terms and conditions refer to section “**Customer Services**”.

## Patents and Design Registration

Design Registration:	000578463-001-002
Patents:	GB: 2 341 667, 2 404 000, 2 428 286, 2 427 460 Ireland: 82835, 85128, 85163

If you experience any difficulty with the installation or operation of your new Electric Shower, please refer to ‘**Fault Diagnosis**’, before contacting Kohler Mira Ltd. Our telephone and fax numbers can be found in the back of this guide.

## IMPORTANT SAFETY INFORMATION

**WARNING - This shower can deliver scalding temperatures if not operated, installed or maintained in accordance with the instructions, warnings and cautions contained in this guide and on or inside the appliance.**

### **TO REDUCE THE RISK OF FIRE, ELECTRIC SHOCK OR INJURY:**

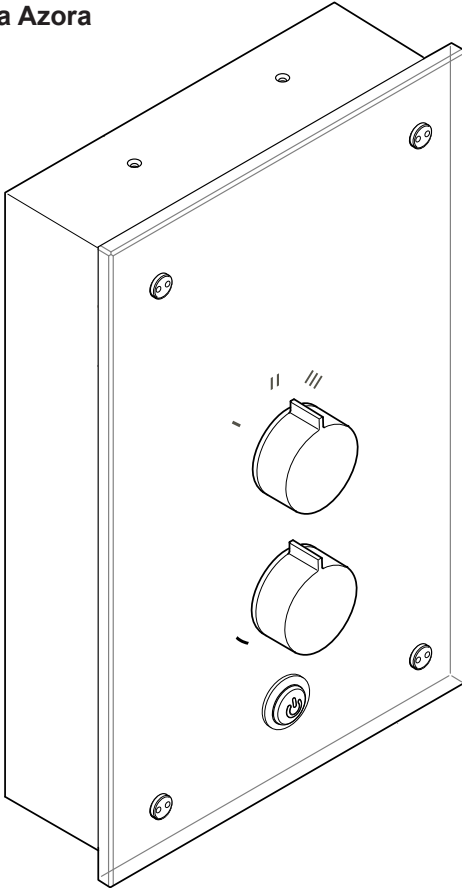
1. Installation of this shower must be carried out in accordance with these instructions by qualified, competent personnel.
2. Isolate the electrical and water supplies before commencing installation. The electricity must be isolated at the consumer unit and the appropriate circuit fuse removed, if applicable. Mains connections are exposed when the cover is removed.
3. **DO NOT** install the shower in areas with high humidity and temperature (i.e. steam rooms and saunas).
4. **DO NOT** install the shower where it may be exposed to freezing conditions. Ensure that any pipework that could become frozen is properly insulated.
5. **DO NOT** switch the shower on if there is a possibility that the water in the shower is frozen.
6. **DO NOT** switch the shower on if water starts leaking from the shower case. Isolate the electrical supply to the shower immediately.
7. **DO NOT** connect the outlet of the shower to any tap, control valve, trigger handset or showerhead other than those specified for use with this shower - scalding water temperatures and product damage will occur. Only Kohler Mira recommended accessories should be used.
8. The water supplies to this product must be isolated if the product is not to be used for a long period of time. If the product or pipework is at risk of freezing during this period they should also be drained of water.
9. **DO NOT** perform any unspecified modifications to the shower or its accessories. When servicing only use Genuine Kohler Mira replacement parts.
10. If the shower is dismantled during installation or servicing then upon completion the product must be inspected to ensure all electrical connections are tight and that there are no leaks.
11. Read all installation instructions before installing this shower.
12. Upon completion of the installation, make sure that the user is familiar with the operation of the shower, and leave this guide with the owner.

# PACK CONTENTS CHECKLIST



Tick the appropriate boxes to familiarise yourself with the part names and to confirm that the parts are included.

## Mira Azora



1 x Mira Azora



1 x Olive



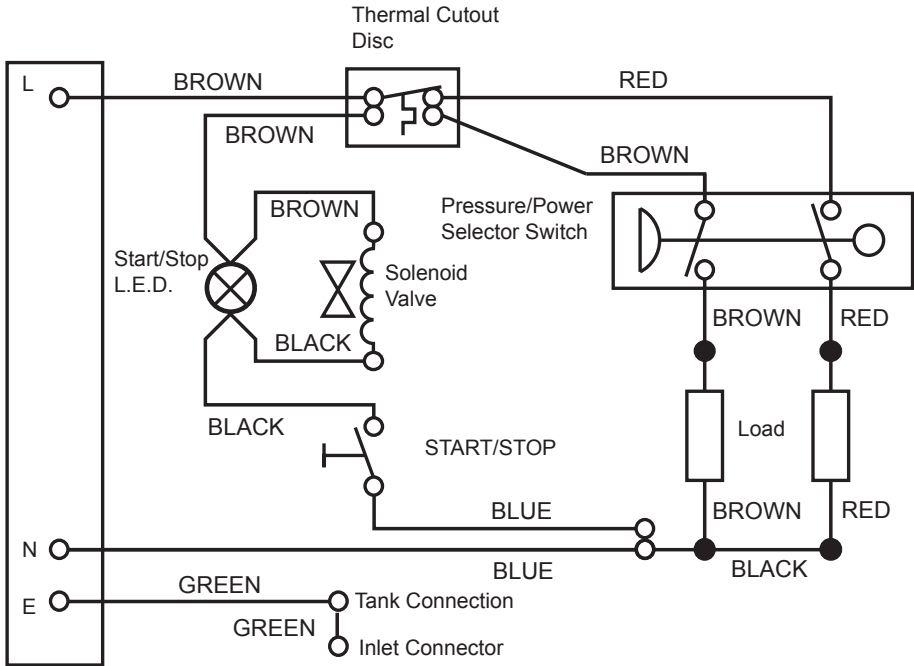
1 x Compression Nut

## Documentation

- 1 x Installation and User Guide  
 1 x Guarantee and Registration Document

1 x Installation Template

# WIRING DIAGRAM



**Internal Wiring Diagram**

# SPECIFICATIONS

## European Conformity Information

The Mira Azora shower complies with the following European directives: 2006/95/EC Low Voltage Directive, 2004/108/EC EMC Directive.

The Mira Azora shower is a high power appliance and is subject to conditional connection. If the main electrical supply fuse is rated less than 80 Amps, the local electricity supply company must be contacted to confirm if the electrical supply is adequate.

The Mira Azora shower complies with the requirements of the UK's water regulations.

<b>Plumbing</b>	<b>Variant</b>
	<b>Azora 9.8</b>
Minimum Dynamic Pressure	70 kPa (0.7 bar)
Maximum Dynamic Pressure	500 kPa (5 bar)
Maximum Static Pressure	1000 kPa (10 bar)
Minimum Static Pressure	20 kPa (0.2 bar)
Maximum Inlet Temperature	30°C
Minimum Inlet Temperature	2°C
Inlet Connection	1/2" BSP Male / 15 mm Compression Fitting
Maximum Water Hardness	200 ppm CaCO <sub>3</sub>
Outlet Connection	1/2" BSP Male

<b>Electrical</b>	<b>Variant</b>
	<b>Azora 9.8</b>
Nominal Power at 230 V ac	9.0 kW
Nominal Power at 240 V ac	9.8 kW
Recommended MCB Rating	45 A
Maximum Supply Cable Size	16 mm <sup>2</sup>
Recommended RCD Rating	30 mA tripping current
Recommended Isolator Switch	45 A double-pole with 3 mm contact separation
Appliance Sealing Rating	IP X4 - Suitable for installation in Zone 1
Maximum Ambient Temperature	30°C
Minimum Ambient Temperature	2°C

<b>Dimensions</b>	
Height	367 mm
Width	233 mm
Depth	100 mm

# INSTALLATION REQUIREMENTS

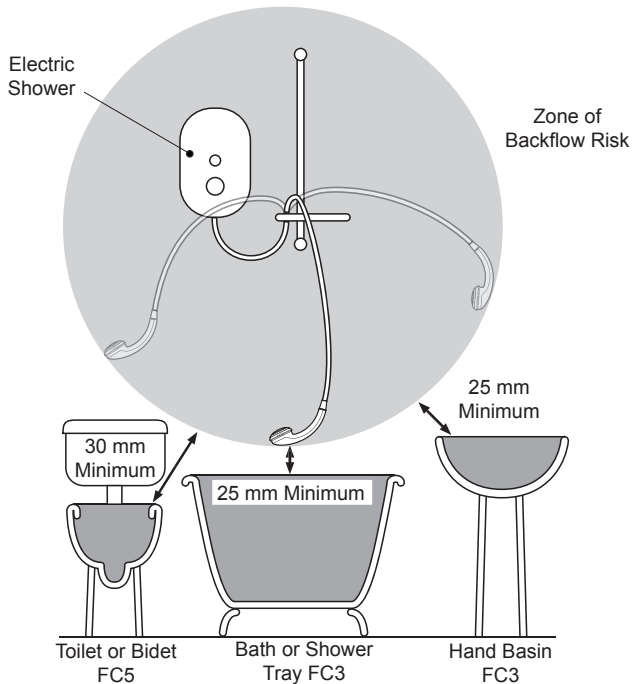
Please read the Important Safety Information and specifications sections at the front of this guide, and the requirements detailed in this section before installing the shower.

**WARNING - TO REDUCE THE RISK OF FIRE, ELECTRIC SHOCK OR INJURY:**

## Plumbing

1. The plumbing installation must comply with all national or local water regulations and all relevant building regulations, or any particular regulation or practice specified by the local water supply company.
2. Do not install the product in a position in which service access is limited.
3. Decide on a suitable position for the shower (minimum distance of 200 mm from the ceiling to allow for cover fit and removal).
4. The position of the shower and shower fittings must provide a minimum gap of 25 mm between the showerhead and the spill over level of any bath, shower tray or basin and a minimum gap of 30 mm between the showerhead and the spill over level of any toilet, bidet or other appliance with a Fluid Category 5 backflow risk (see diagram on page 8).
5. The shower is suitable for installation within the shower area and is fitted with a pressure relief valve. It must be positioned over a water catchment area with the controls at a convenient height for the user.
6. The shower must be fitted to a waterproof flat and even wall surface.
7. **DO NOT** fit the shower to the wall and tile up to the case.
8. **DO NOT** seal the gap between the shower and the wall surface.
9. The showerhead should be positioned so that it discharges down the centre line of the bath or across the opening of a shower cubicle.
10. The showerhead must be directed away from the shower unit, during normal use the showerhead must not spray directly on to the shower unit.
11. **DO NOT** apply excessive force to plumbing connections; always provide mechanical support when making plumbing connections. Any soldered joints should be made before connecting the shower.
12. This shower is not designed to be plumbed directly from the rear. For rear-entry supply, add an elbow to the supply pipe and connect as a rising or a falling supply.
13. If pipework and/or electrical cables enter the shower from the rear through a hole in the wall provision must be made to prevent water ingress back into the wall structure.
14. Only use the inlet connector supplied with the shower. **DO NOT** use any other type of fitting.

15. A full bore/non restrictive servicing valve must be fitted in a readily accessible position adjacent to the shower to facilitate maintenance of the shower.  
DO NOT use a valve with a loose washer plate (jumper) as this can lead to a build up of static pressure.
16. A water treatment device should be installed where the water hardness may exceed 200 ppm. Malfunctions caused by excessive limescale formation are not covered by this shower's guarantee (see back page for details).
17. The installation must not cause the hose to be sharply kinked during normal use.
18. **DO NOT** perform the electrical installation until the plumbing has been completed and checked for leaks.



**Hose Retaining Ring fitted and shower fittings fixed at a suitable height preventing dirty water backflow.**

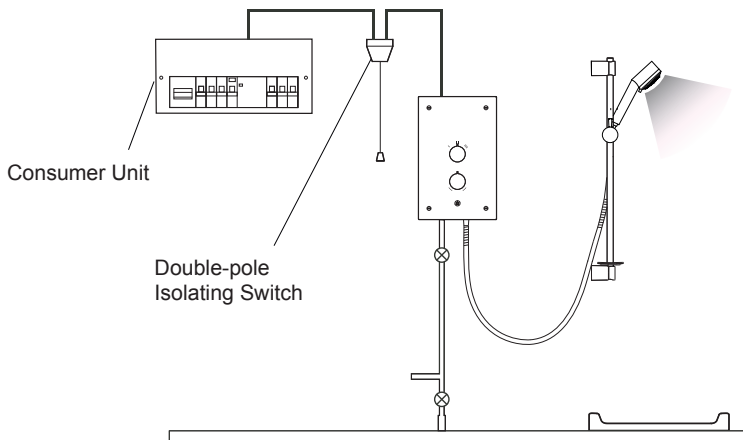
**Note!** There will be occasions when the hose retaining ring will not provide a suitable solution for Fluid Category 3 installations, in these instances an outlet double checkvalve must be fitted, this will increase the required supply pressure typically by 10kPa (0.1 bar). Double checkvalves fitted in the inlet supply to the appliance cause a pressure build up, which could exceed the maximum static inlet pressure for the appliance and must not be fitted. For Fluid Category 5 double checkvalves are not suitable.



## WARNING - TO REDUCE THE RISK OF FIRE, ELECTRIC SHOCK OR INJURY:

### Electrical

1. The electrical installation must comply with BS 7671 (commonly referred to as the IEE Wiring Regulations) and all relevant building regulations, or any particular regulation or practice specified by the local electricity supply company.
2. Ensure that all circuit protection devices, switches and cabling is adequate for the rated current of the shower and that the rating of the electricity supply company fuse and the consumer unit are adequate for the additional demand.
3. The shower **must** be earthed. Ensure any supplementary bonding complies with the relevant regulations.
4. This shower is intended to be permanently connected to the fixed electrical wiring of the mains system. A separate supply **must** be provided from the consumer unit to the shower.
5. **DO NOT** supply any other electrical equipment including extractor fans or pumps via this product.
6. This shower must be provided with means for local disconnection that is incorporated into the fixed wiring in accordance with the relevant local wiring regulations. This **must** be a double pole switch, which has at least 3 mm contact separation in each pole. The switch can be a ceiling mounted pull-cord type within the shower room or a wall mounted switch fitted in the applicable zone area.
7. A 30mA Residual Current Device (RCD) is recommended to be fitted in the circuit to the shower.
8. **DO NOT** apply excessive force to the terminal block.
9. All electrical connections should be checked for tightness to prevent overheating before switching on the electrical supply.
10. **DO NOT** switch on the electrical supply until the plumbing has been completed and checked for leaks.



Plumbing and Electrical Schematic

# INSTALLATION

## Installation of Mira Azora

- ▶ **Warning!** Turn off the electrical and water supplies before proceeding with the installation of the Mira Azora. The electricity must be turned off at the mains and the appropriate circuit fuse removed, if applicable.

**Note!** An installation template is supplied to help you install the Mira Azora.

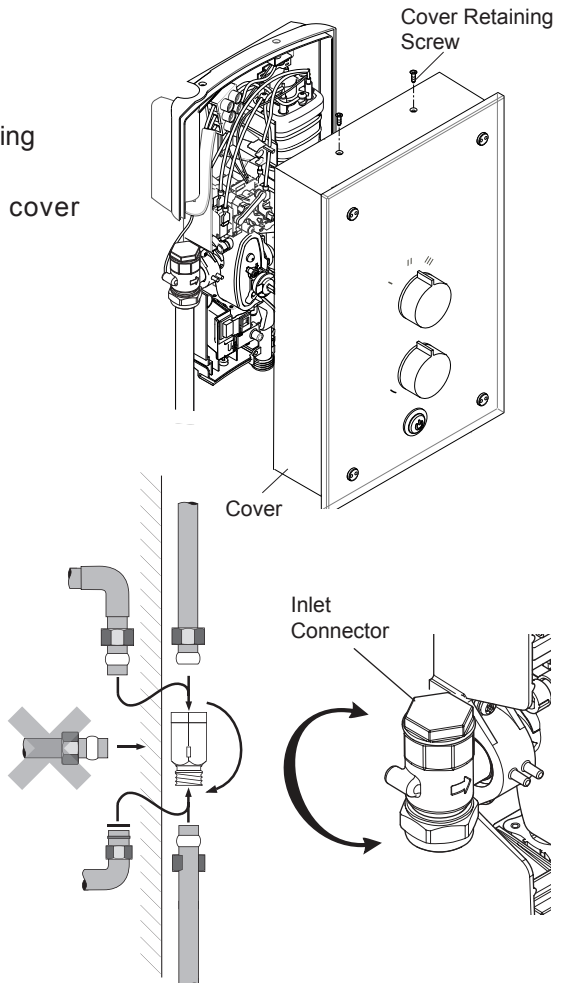
- ▶ Wall fixings are not supplied. For solid wall structures a red rawl plug and a no. 8 x 1½" countersunk brass or stainless steel screw should be used. For other wall structures such as panels alternative fixings may be required. A minimum of 3 fixing screws should be used.

- ▶ Remove the three cover retaining screws and the cover.  
**Caution!** Handle the glass cover assembly with care.

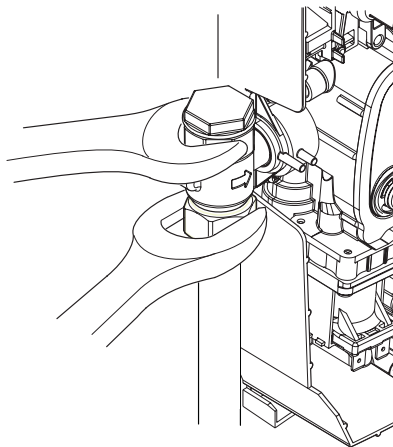
- ▶ Determine the direction and route of the incoming water supply: falling (entering the shower from the top), or rising (entering the shower from the bottom).

**Note!** - **DO NOT** use an incoming supply entering the shower directly from the back. Add an elbow to the supply pipe and connect it as a rising or falling supply.

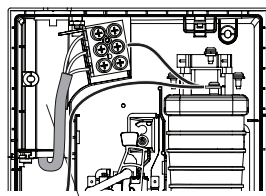
- ▶ Swivel the inlet connector assembly to suit. Remove the inlet blanking cap. Avoid trapping the green earth bonding wire.



- ▶ Before fitting the cover, make sure that the appropriate cutouts have been removed to suit the supply entering the product.
- ▶ **Thoroughly flush the mains-fed cold water supply pipe. The supply must be clean and free from debris BEFORE connecting the appliance.**  
To flush the pipework, turn on the water supply and drain a minimum of 10 litres (2 gallons) of water into a bucket or catchment area. Turn off the water supply.
- ▶ An installation template is supplied to help you install the Mira Azora. Put the installation template on the wall and mark through the positions of the fixing holes. Ensure the position of these holes do not come in line with any buried cables or pipework. Make sure that sufficient electrical supply cable is available for connection to the terminal block.
- ▶ Drill and plug the top two fixing holes. Secure the appliance to the wall with appropriate screws. Drill the bottom fixing hole with the product in place. Alternative fixings (not supplied) may be necessary for some wall structures. Avoid drilling into any supply cable/pipe.
- ▶ Install the mains-fed cold water supply pipe. Do not overtighten (See Plumbing Installation Requirements).

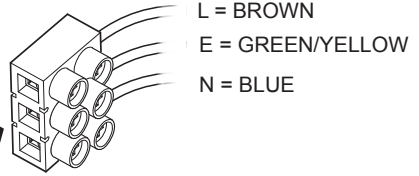


- ▶ Feed cable into case. Fit Earth sleeve (not supplied) and then strip insulation. Do not twist cable cores.



**Important!** Make sure that the inlet earth wire is routed as shown. Failure to do so may cause product malfunction.

► Firmly connect the conductors. Do not exert strain on the terminal block.

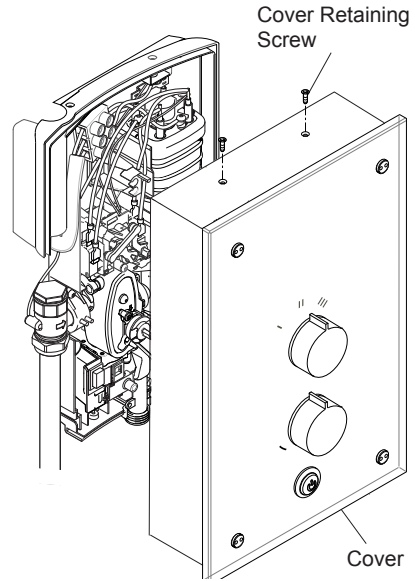


► Refit the cover, making sure it is correctly located. Do not overtighten screws.

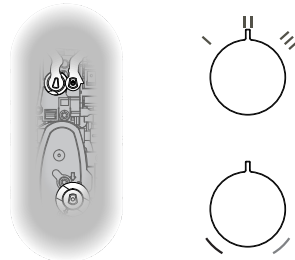
**Caution!** Handle the glass cover assembly with care.

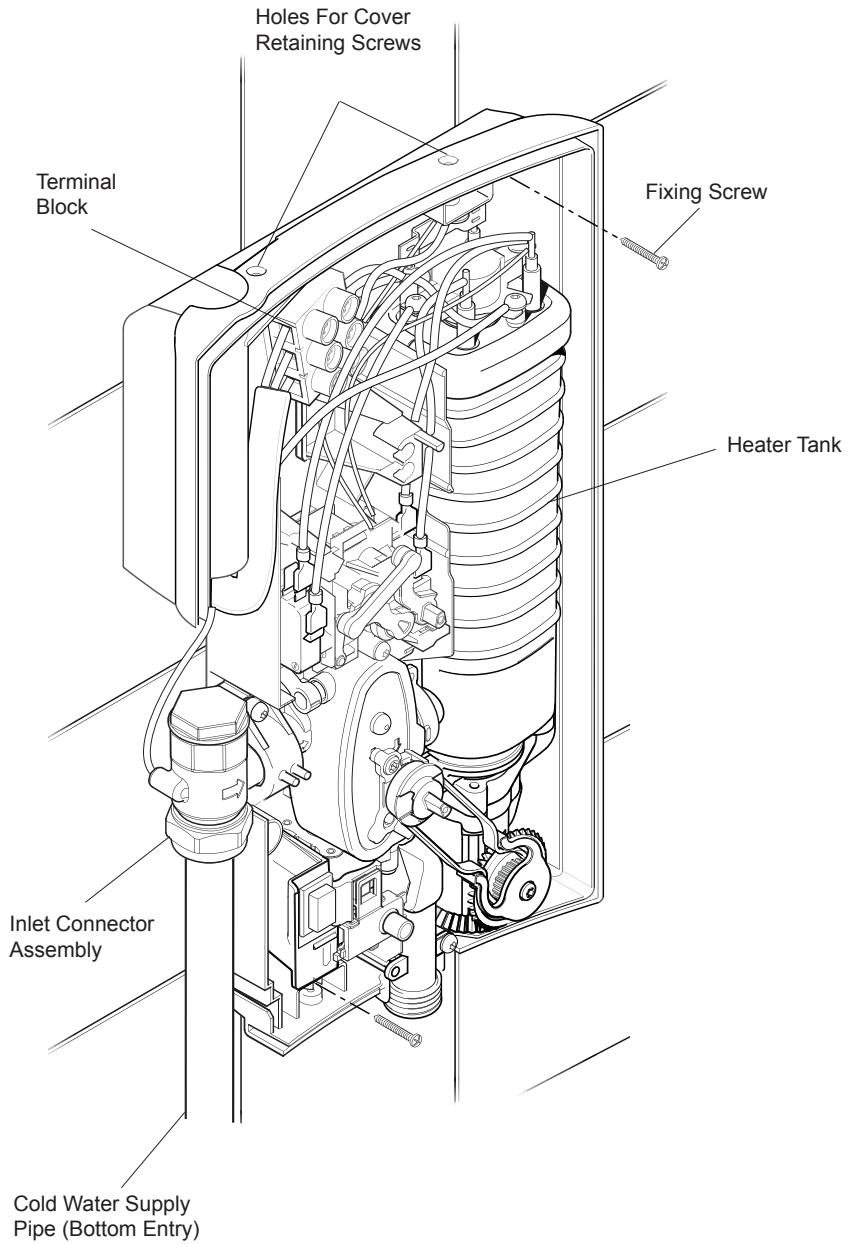
Do not use alternative screws to secure the cover. This can cause internal damage to the appliance.

Do not seal around the back of appliance.



When fitting the cover, position the controls to correspond with the internal drive features as shown.




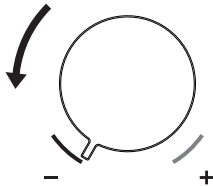


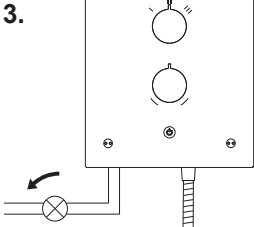
# COMMISSIONING

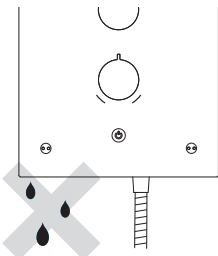
Before carrying out the commissioning procedure install the Shower Fittings, refer to the Shower Fittings Installation and User Guide.

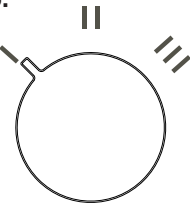
If you are unsure how an electric shower works, please read through the section “User Instructions” before continuing.

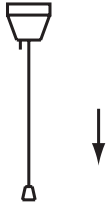
- 


1. Electrical supply is turned off at the mains.
- 


2. Turn control to full cold.
- 

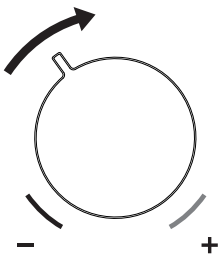
3. Turn the water supply fully on.
- 

4. Check for water leaks.
- 

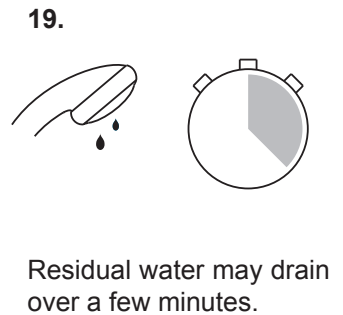
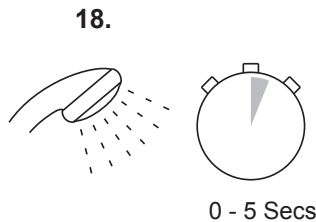
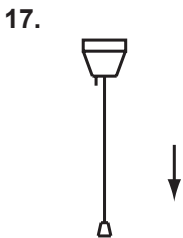
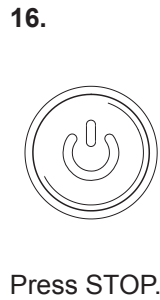
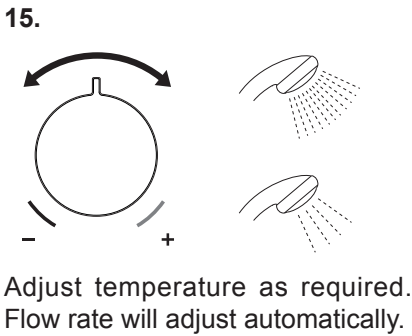
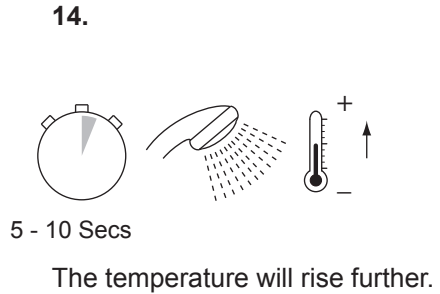
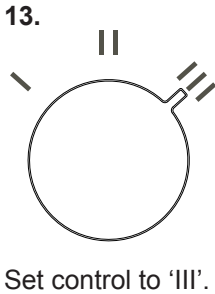
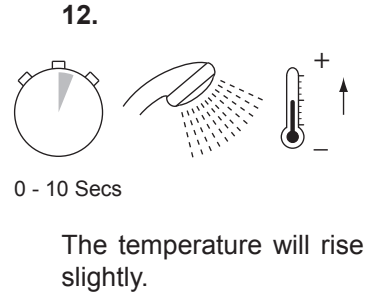
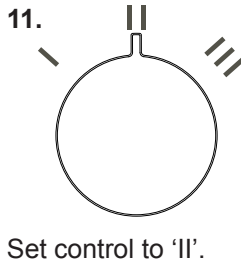
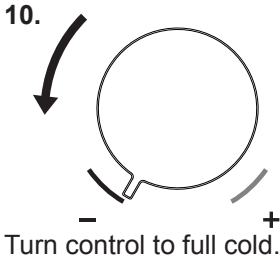
5. Set control to 'I'.
- 

6. Switch on electrical supply.
- 

7. Press the 'Start/Stop' button.
- 

8. Water will be at full force and at a cool temperature.
- 

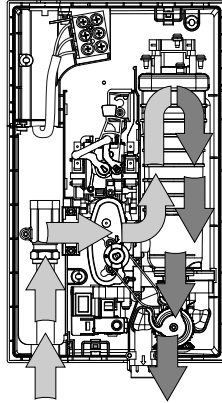
9. Turn the control slowly. Temperature remains cool and flow is reduced



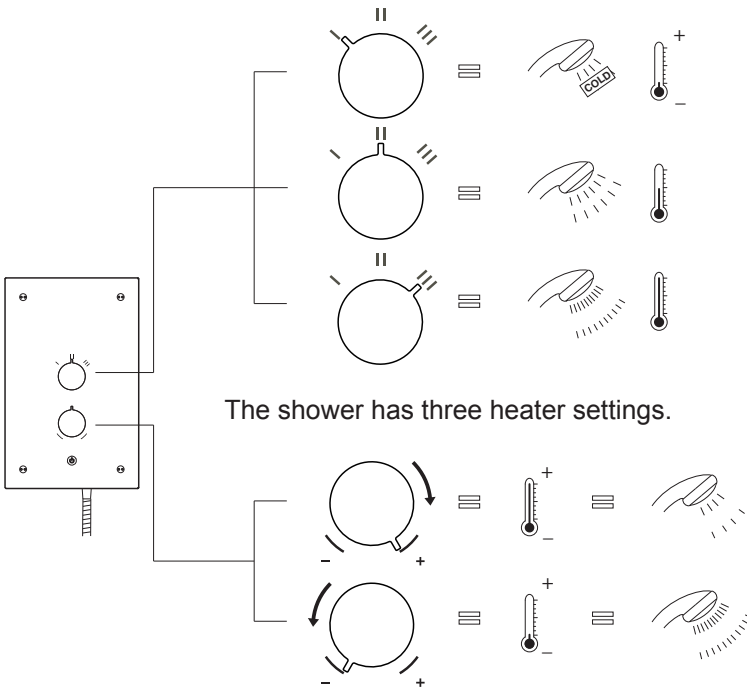
**Note!** A slight hissing sound may be heard from the appliance during operation. High mains water pressure and high shower temperatures will affect the tone. This is quite normal in use.

# USER INSTRUCTIONS

## How Your Electric Shower Works



Heated water is produced by adjusting the flow of cold water passed through a heater tank.

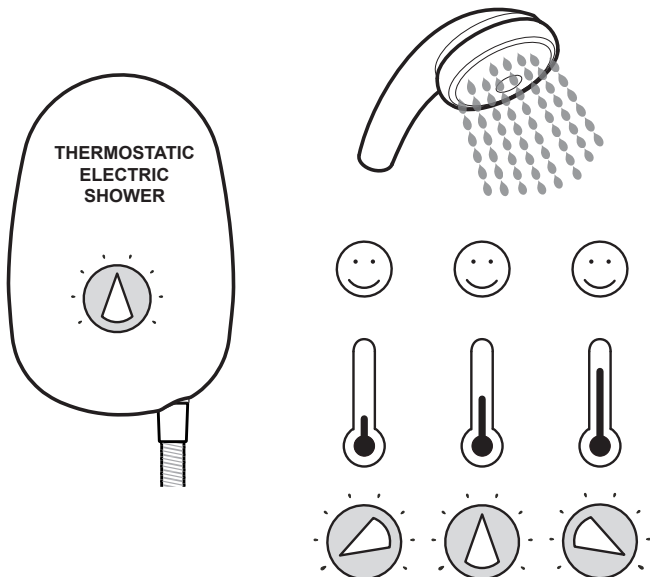
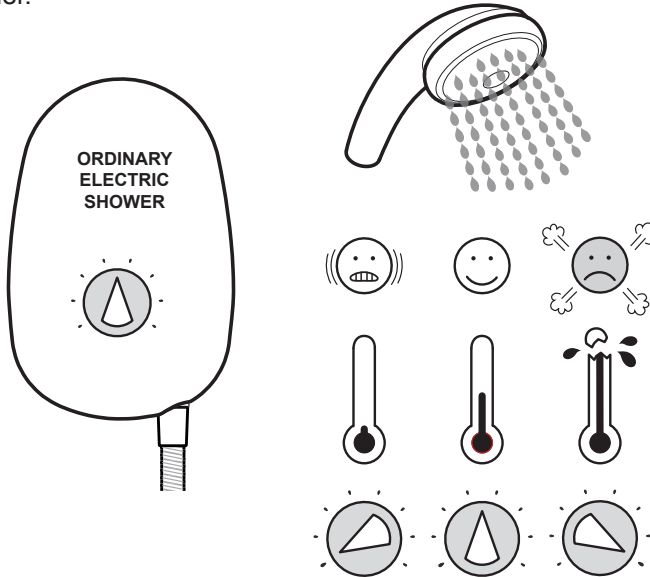


The warmer the shower, the lower the flow rate and vice versa.



## Thermostatic (Temperature-Stable)

The shower's top priority is to keep the desired water temperature constant. Electric showers with thermostatic control are able to keep a stable temperature across the range from hot to cold, whilst also dealing with fluctuations in electrical and water supplies. As a result, there is a **temperature limit** the shower cannot go beyond. For safety, this temperature is factory set and cannot be adjusted to make the shower hotter or colder.



# USER SAFETY INFORMATION

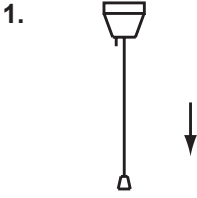
**WARNING** - THIS SHOWER CAN DELIVER SCALDING TEMPERATURES IF NOT OPERATED, INSTALLED OR MAINTAINED IN ACCORDANCE WITH THE INSTRUCTIONS, WARNINGS AND CAUTIONS CONTAINED IN THIS GUIDE AND ON OR INSIDE THE APPLIANCE.

## To reduce the risk of fire, electric shock or injury:

1. Make sure that you fully understand how to operate this shower before use, read all operating instructions and retain this guide for future reference.
2. This shower is not intended for use by persons (including children) with reduced physical, sensory or mental capabilities, or lack of experience and knowledge, unless they have been given supervision or instruction concerning the use of the shower by a person responsible for their safety.
3. Children should be supervised to ensure that they do not play with the shower.
4. **DO NOT** switch the shower on if there is a possibility that the water in the shower is frozen.
5. **DO NOT** switch the shower on if water leaks from the shower unit. Isolate the electrical supply to the shower immediately.
6. **DO NOT** switch the shower on if the case appears to be damaged or incorrectly fitted. Isolate the electrical supply to the shower immediately.
7. **DO NOT** connect the outlet of the shower to any tap, control valve, trigger handset or showerhead other than those specified for use with this shower - scalding water temperatures and product damage may occur. Only Kohler Mira recommended accessories should be used.
8. The showerhead must be de-scaled regularly, refer to the user maintenance section towards the rear of this guide for details.
9. The shower hose must be checked regularly and replaced if damaged, refer to the user maintenance section towards the rear of this guide for details.
10. **DO NOT** store bathroom items on top of the shower case. ie. Shampoo or shower gel containers.
11. Always check the water temperature before entering the shower. Sunburn or skin conditions can increase your sensitivity to hot water. Make sure that you set the shower to a cooler temperature.
12. **DO NOT** operate the temperature control rapidly, allow 10 – 15 seconds for the temperature to stabilise before use.
13. **DO NOT** block or restrict flow through the handset or hose whilst showering. eg. By placing in direct contact with your body.
14. Be aware that any adjustment to temperature control or power control whilst showering will affect the showering temperature and may result in a burst of hot water.
15. Care is required if the shower is turned off and then back on after a short time as this will result in a burst of hot water from the showerhead. Ensure temperature has stabilised before re-using shower.
16. Switch off the appliance at electrical isolating switch when not in use. This is for safety and is recommended with all electrical appliances.
17. If any of the following conditions occur, isolate the electricity and water supplies and contact your installer:
  - If the case is damaged or the cover is not correctly fitted and water has entered the shower case.
  - If the shower begins to make an odd noise, smell or smoke.
  - If the shower shows signs of a distinct change in performance indicating a need for maintenance.

# Using your Shower

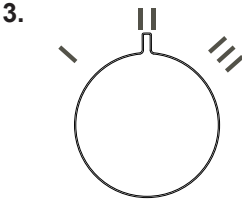
Read the section “User Safety Information” first.



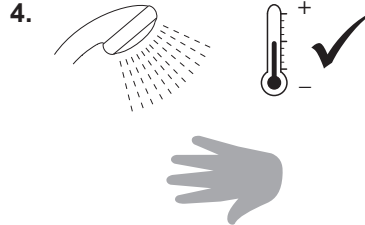
Switch on electrical supply.



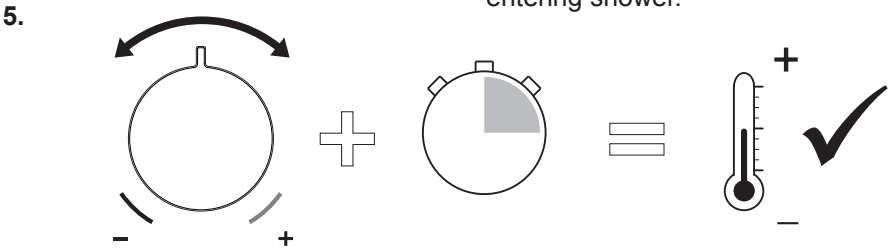
Press the ‘Start/Stop’ button.



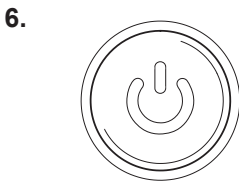
Set to desired position.



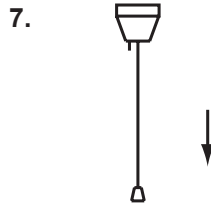
Check water temperature before entering shower.



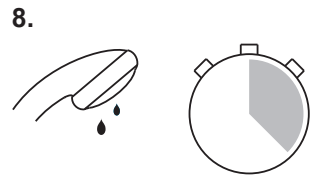
Allow 10 - 15 seconds for any temperature adjustments to reach the handset.



Press STOP button. Shower will continue to run for a few seconds before stopping.



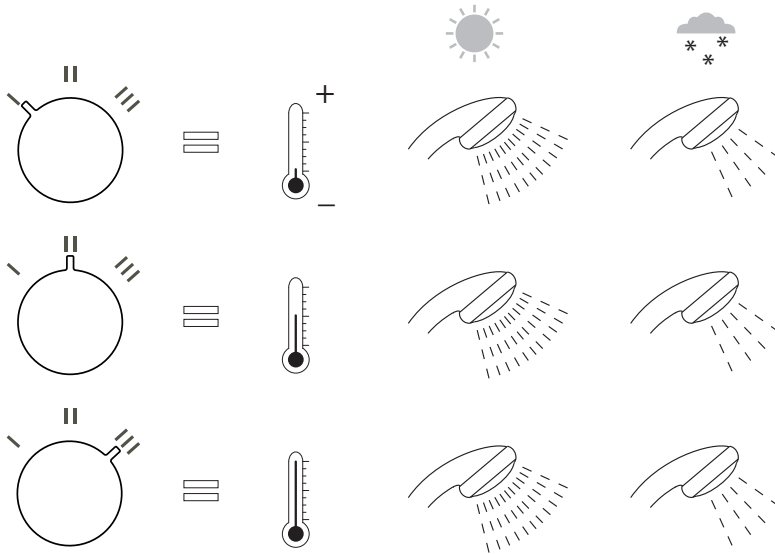
Isolate power.



Residual water may drain over a few minutes.

**Note!** At the end of every shower make sure that the shower head points into the catchment area. A small amount of water may be retained in the shower handset after the shower has been turned off. This may drain over a few minutes. Switch off the appliance at electrical isolating switch when not in use. This is for safety and is recommended with all electrical appliances.

## The Effect of Seasonal Changes



For a cold shower select I.

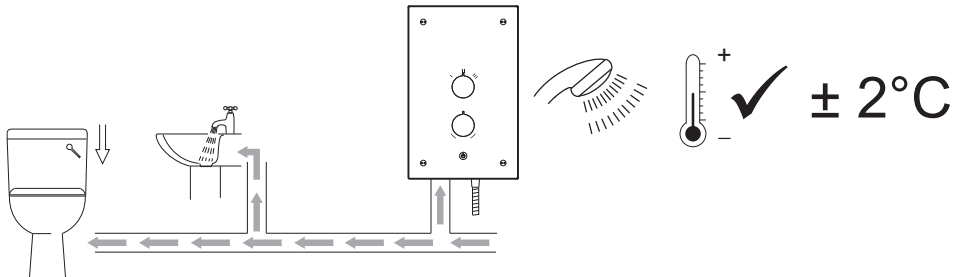
For a summer warm shower select II.

For a winter warm shower select III.

During extremes of mains water supply temperature, adjust heater setting to obtain a better showering temperature.

## The Effect of Other Water Devices

Example of how shower temperature stabilises due to pressure changes.



Water inlet pressure fluctuations due to other draw offs (e.g. flushing toilet). Shower temperature will be controlled to within  $\pm 2^{\circ}\text{C}$  of the set temperature provided that the supply conditions remain within the required operating parameters (refer to section: '**Specifications**').

# FAULT DIAGNOSIS

The trouble shooting information tabled below gives details on probable causes and remedies should difficulties be encountered whilst the shower is in operation.

**Warning!** There are no user serviceable components beneath the cover of the appliance. **Only a competent tradesperson should remove the front cover!**

Symptom	Start/ Stop Light	Heater Setting I / II / III	Probable Cause	Possible Remedy
Appliance Fails to operate	OFF	ANY	Electrical supply isolated at double pole switch.	Switch on electrical supply via the pullcord or wall mounted switch.
			Fuse blown or MCB/RCD tripped, indicating possible electrical fault.	Renew the fuse or reset the MCB/RCD. If fault persists, contact your installer.
Shower cycles from hot to cold	ON	II / III	Showerhead blocked	Remove and clean.
			Water pressure below minimum required for appliance operation.	Make sure incoming mains water stopcock and/or appliance isolating valve is fully turned on.
			Temperature dial or Heater setting too high.	Turn the heater selector knob to setting II or turn the temperature control until a cooler temperature is achieved.
			Thermostatic mechanism is faulty or damaged.	Replace.
Unable to select a cool enough shower.	ON	III	Due to the rise in mains water supply temperature, the Heater setting may be too high.	Turn the heater selector knob to II and adjust the temperature control until a suitable temperature is achieved.
Unable to select a hot enough shower (cold only)	ON	I / II	Power control not on high	Turn the power control to high
	ON	ANY	Temperature control on cool setting	Turn the temperature control until a hotter temperature is achieved
			Water pressure below minimum requirement for shower operation	Make sure incoming mains water stopcock and / or shower isolating valve is fully open  Contact water company
			Showerhead blocked	Remove and descale showerhead
			Hose kinked or blocked	Check hose and replace if necessary, see section - <b>'USER MAINTENANCE'</b> .
Restriction in Showerhead mode	Select different Showerhead mode			

Symptom	Start/ Stop Light	Heater Setting I / II / III	Probable Cause	Possible Remedy
Hand set dripping	OFF	ANY	Insufficient water supply pressure for shut off.	The minimum static pressure to ensure shut off and prevent dripping is 0.2 bar. <b>Note!</b> If other appliances are operating, static pressure may drop below 0.2 bar. Contact local water company. Renew the Flow Valve.
			Inlet valve faulty	Replace
Low or no flow.	ON	ANY	Water supply pipework or inlet filter restricted by a blockage or partial blockage.	Flush supply pipe. Clean inlet filter.
			Insufficient water supply pressure/flow for operation.	Contact local water company. Supply pressure must be a minimum of 0.7 bar. Note: If other appliances are operating, pressure may drop below 0.7 bar.
			Other outlets (e.g. toilet, garden hose, washing machine, etc.) drawing water while the shower is being used.	Turn off other appliances whilst shower is in use.
			Showerhead blocked.	Remove and clean.
	OFF	ANY	Service tunnel or cover not fitted correctly causing Start/ Stop button not to operate.	Check case inserts are cut and fitted correctly. Check services (electrical or plumbing) are not interfering with location of service tunnel or cover.
	ON	ANY	Inlet Valve faulty.	Replace.
Heater Tank excessively scaled.			Replace. In hard water areas consider the use of a water softener.	
Operation of temperature control has little or no effect on water temperature.	ON	II / III	Showerhead or inlet filter blocked.	Remove and clean.
			Inlet valve faulty.	Replace.
			Heater tank failure.	Replace.
			Microswitch failure.	Replace.

Symptom	Start/ Stop Light	Heater Setting I / II / III	Probable Cause	Possible Remedy
No change in temperature between I/II/III settings.	ON	ANY	Insufficient mains water pressure.	Contact local water company.
			Possible failure of flow valve, microswitch or heater tank.	Check the continuity of the microswitch or heater tank and replace parts as necessary.
Water will not turn off.	ON	ANY	Inlet valve, solenoid, or start/ stop switch faulty.	Replace as necessary.
			Supply pressure below 0.2 bar.	Contact local water company. Check mains water static pressure.
Appliance fails to produce hot water when set on II/III heater settings.	ON	II / III	Insufficient water supply	Contact local water company.
			Possible failure of the microswitch or thermal switch.	Check the continuity of the microswitch or heater tank and replace parts as necessary.
			Heater Tank failure.	Replace.

# USER MAINTENANCE

## WARNING - TO REDUCE THE RISK OF FIRE, ELECTRIC SHOCK OR INJURY:

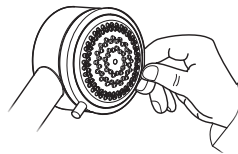
- There are no user serviceable parts inside the shower. Only qualified, competent personnel should remove the front cover, mains connections are exposed when the cover is removed.
- Switch the shower off at the isolator switch before performing any user maintenance or before cleaning the shower.
- **DO NOT** allow young children to perform user maintenance including cleaning of the shower.
- **DO NOT** use the showerhead to clean the shower.
- If the shower is not to be used for a long period, the electrical supply and water supply to the shower should be isolated. If the shower or pipework is at risk of freezing during this period a qualified, competent person should drain them of water.

## Cleaning

Many household cleaners contain abrasives and chemical substances, and should not be used for cleaning plated or plastic parts or fittings. These finishes should be cleaned with a mild washing up detergent or soap solution, and then wiped dry using a soft cloth.

## De-scaling the Showerhead

**Important!** Keeping the showerhead clean and free from limescale will ensure that your shower and showerhead continue to perform to their maximum. A blocked showerhead can restrict the flow rate and may cause damage to your shower

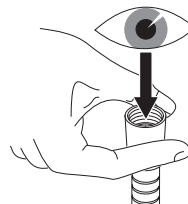


Use your thumb or a soft cloth to wipe any limescale from the soft nozzles

## Inspecting the hose.

**Important!** The shower hose should be inspected periodically for damage or internal collapse, internal collapse can restrict the flow rate from the showerhead and may cause damage to the shower. Remove the shower hose from the shower, inspect and replace the hose if necessary.

Unscrew the hose from the showerhead and the shower outlet.



Inspect the hose.





# SERVICING

## WARNING

There are no user serviceable parts inside the shower.

Servicing of the shower must only be carried out by qualified, competent personnel following the instructions provided in this guide and those provided with any spare part.

Before replacing any parts, ensure that the underlying cause of the malfunction has been resolved.

## Inlet Filter - Cleaning/Renewing

Read the section “Important Safety Information” first

▶ Make sure that the electrical supply is turned off at the mains and that the water supply is fully turned off.

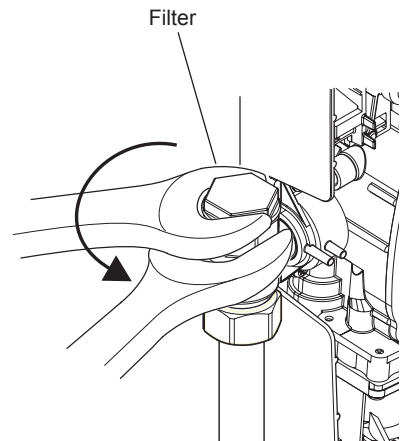
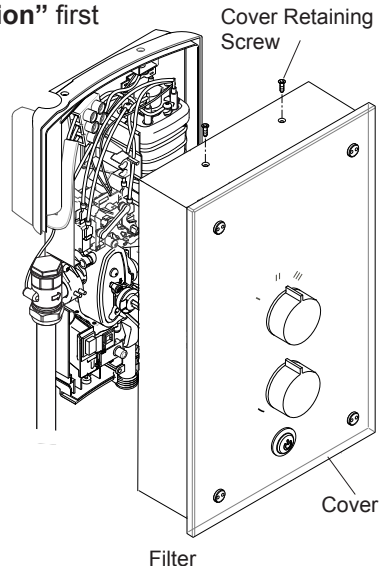
▶ Remove the three screws and the cover.

**Caution!** Handle the glass cover assembly with care.

▶ Hold a wrench across the flats of the metal connector. Unscrew the filter using another wrench as shown. Clean or renew the Filter as necessary. Refit in reverse order making sure the Filter is screwed fully home.

**Do not overtighten!** Make sure plumbing connections are sealed before restoring electricity supply.

▶ Refit the cover making sure it is correctly located. Do not overtighten the screws.

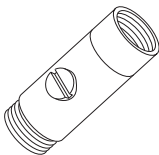


# SPARE PARTS

416.38	Clamp Bracket (Inlet)
416.41	Thermal Switch
416.48	Latching Switch
416.51	Solenoid Coil
872.01	Microswitch N/O - 2 pin
872.28	Microswitch C/O - 3 pin
1563.519	Terminal Block Assembly
1563.533	Thermostatic Valve/Heater Tank 9.8 kW 240 V AC
1563.534	Outlet Connector Assembly
1563.537	Temperature Control Belt Thermostatic
1563.538	Temperature Cam & Pulley
1563.539	Switching Assembly
1563.540	Inlet Valve Assembly
1563.551	Component Pack - chrome - components identified 'B'
1634.015	Start/Stop LED Assembly
1634.026	Screw Pack - components identified 'A'
1623.009	Cover Assembly - Frosted Glass
1634.118	Cover Assembly - Blue Glass
1634.119	Cover Assembly - Grape Glass
1634.120	Cover Assembly - White Flock Glass
1634.121	Cover Assembly - Stripes
1634.122	Cover Assembly - Flag
1634.123	Cover Assembly - Stones
1634.124	Cover Assembly - Dots
1829.062	Inlet Filter (with 'O' seal fitted)
1829.063	Inlet Connector Assembly

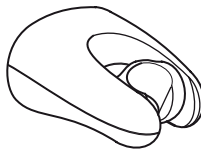
# ACCESSORIES

Genuine Mira accessories can be purchased direct from Customers Services (our contact details can be found on the back cover of this guide) or from approved stockists or merchants.



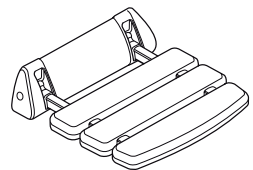
## **Double Outlet Check Valve (DCV-H) Chrome - 1.0.110.55.1**

DCV-H: An outlet double check valve, designed to prevent the backflow or backsiphonage of potentially contaminated water, through shower controls which are fitted with a flexible hose as part of the outlet shower fitting.



## **Showerhead Holder White - 2.1605.149 Chrome - 2.1605.150**

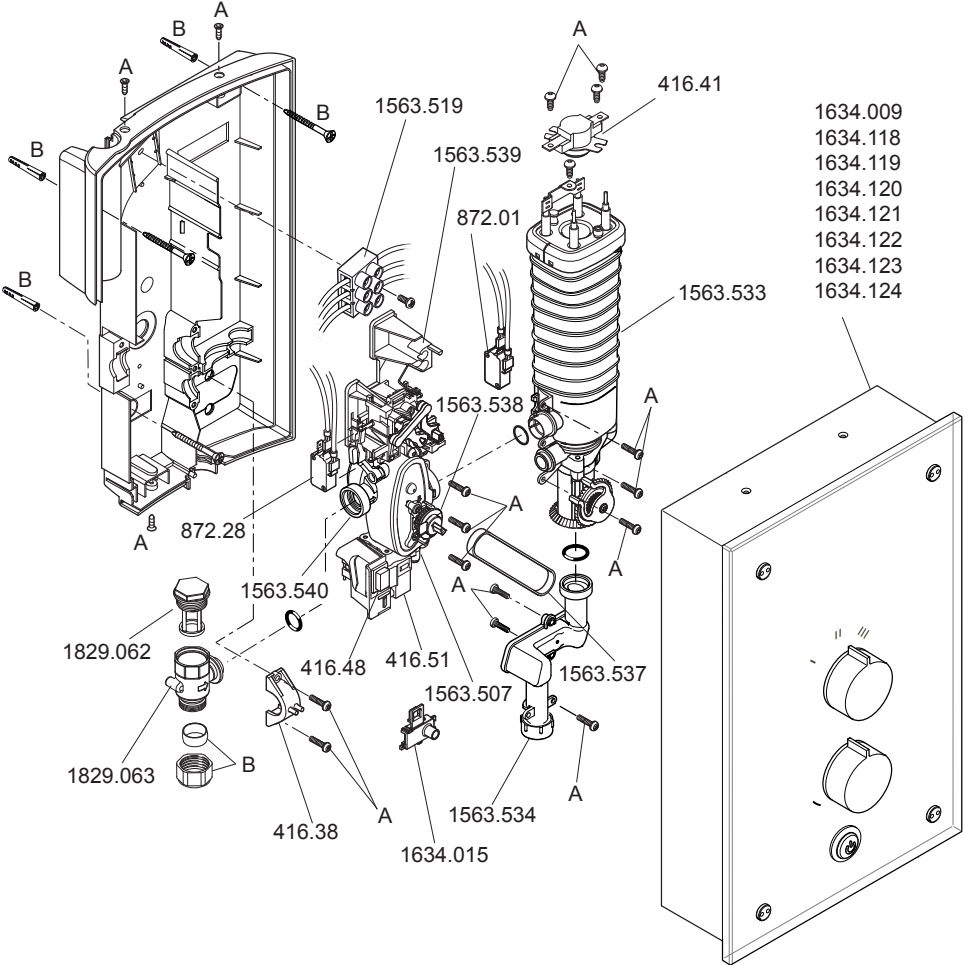
If you're looking for additional flexibility in your shower, the Showerhead Holder is the perfect solution. Makes showering easier for children, provides a useful additional holder for your Showerhead which fixes to the wall at the desired height.



## **Shower Seat White - 2.1536.128 White/Chrome - 2.1536.129**

For use in or out of the showering area. **Note!** Must be installed onto a solid wall. Shower seat folds up when not in use.

# Mira Azora Spare Parts Diagram



# CUSTOMER SERVICE

## Guarantee

Your product has the benefit of our manufacturer's guarantee which starts from the date of purchase.

To activate this guarantee, please return your completed registration card, visit our website or free phone 0800 0731248 within 30 days of purchase (UK only).

Within the guarantee period we will resolve defects in materials or workmanship, free of charge, by repairing or replacing parts or product as we may choose.

**This guarantee is in addition to your statutory rights and is subject to the following conditions:**

- The guarantee applies solely to the original installation under normal use and to the original purchaser only. The product must be installed and maintained in accordance with the instructions given in this user guide.
- Servicing must only be undertaken by us or our appointed representative. **Note!** if a service visit is required the product must be fully installed and connected to services.
- Repair under this guarantee does not extend the original expiry date. The guarantee on any replacement parts or product ends at the original expiry date.
- For shower fittings or consumable items we reserve the right to supply replacement parts only.

**The guarantee does not cover:**

- Call out charges for non product faults (such as damage or performance issues arising from incorrect installation, improper use, inappropriate cleaning, lack of maintenance, build up of limescale, frost damage, corrosion, system debris or blocked filters) or where no fault has been found with the product.
- Water or electrical supply, waste and isolation issues.
- Compensation for loss of use of the product or consequential loss of any kind.
- Damage or defects caused if the product is repaired or modified by persons not authorised by us or our appointed representative.
- Routine maintenance or replacement parts to comply with the requirements of the TMV 2 or TMV 3 healthcare schemes.
- Accidental or wilful damage.
- Products purchased ex-showroom display.

## What to do if something goes wrong

If your product does not work correctly refer to this manual for fault diagnosis and check that it is installed and commissioned in accordance with our instructions.

If this does not resolve the issue, contact us for help and advice.

## Extended Guarantees

A selection of protection plans are available that enable you to cover repair bills (excludes Eire). Ring 01922 471763 for more details.



**Helpdesk Service** - Ring our Customer Services Team for product advice, to purchase spare parts or accessories or to set up service visit. You can contact us via phone or e-mail, details below. Please provide your model name, power rating (if applicable) and date of purchase.



**Mira Showers Website ([www.mirashowers.co.uk](http://www.mirashowers.co.uk))**

Visit our website to register your guarantee, download user guides, diagnose faults, purchase our full range of accessories and popular spares, or request a service visit.



**Spares and Accessories** - We hold the largest stocks of genuine Mira spares and accessories. Contact us for a price or visit our website to purchase items from our accessory range and popular spares.



**Service/Repairs** - No one knows our products better than our nationwide team of Service Technicians. We can carry out service or repair work to your product both during and after the guarantee period. Ask about our fixed price service repairs.

## To Contact Us: UK



**0844 571 5000**



Fax: 01 242 282595



E-mail: Visit [www.mirashowers.co.uk/contactus](http://www.mirashowers.co.uk/contactus)



Mira Customer Services Dept, Cromwell Road, Cheltenham, Gloucestershire, GL52 5EP

## To Contact Us: Eire Only



**01 459 1344**



Fax: Dublin 01 459 2329



E-mail: [sales@modernplant.ie](mailto:sales@modernplant.ie)



Modern Plant Ltd (Dublin), Otter House, Naas Road, Clondalkin, Dublin 22

Mira is a registered trade mark of Kohler Mira Limited.

The company reserves the right to alter product specifications without notice.



**mira**  
SHOWERS