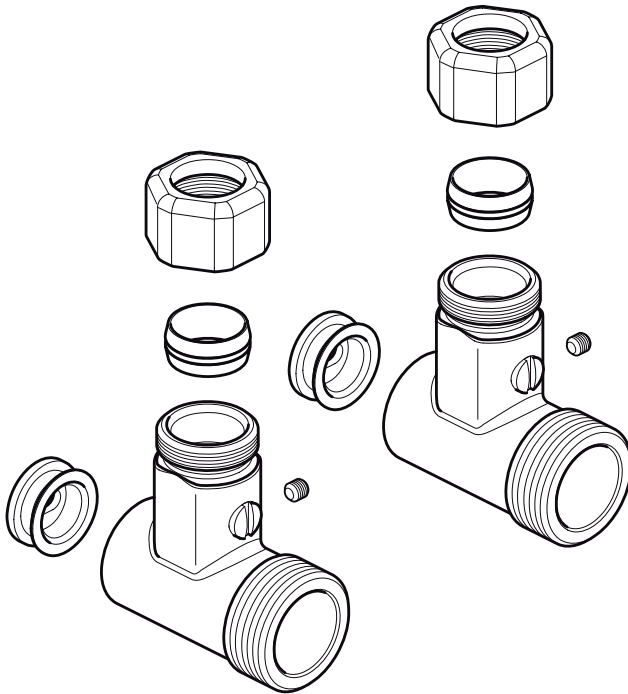


mira



SHOWERS



**BAR VALVE
ELBOW FIXING KIT**

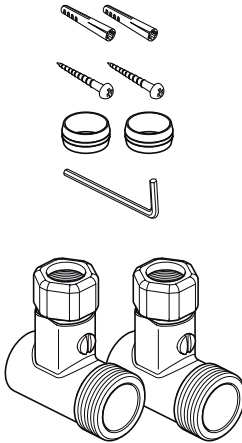
PART NO: 1712.002

Genuine Mira Accessories

Description

The Mira Bar Valve Fixing Elbows have been designed to allow any bar valve with 3/4" female connections to be easily installed onto exposed, rising or falling inlet supply pipework. They incorporate isolating ball valves to aid routine servicing of your bar valve and are designed to be installed onto the finished wall surface.

Pack Contents



Component Pack containing:

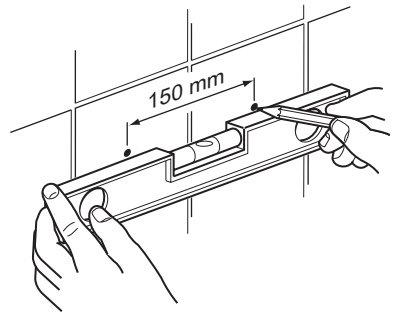
- 2 x Wall Plugs
- 2 x Fixing Screws
- 2 x Olives
- 1 x 2 mm Hexagonal Key

- 2 x Elbow Assemblies

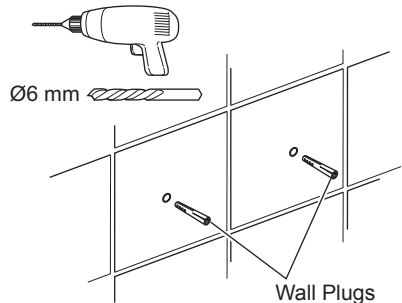
Installation

1. Mark the position of the bar valve elbows at 150 mm centres.

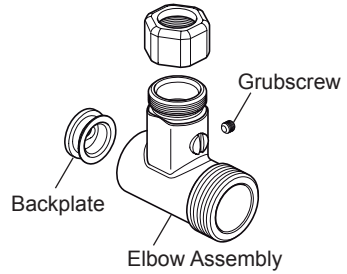
Important! Use a spirit level to make sure that they are level.



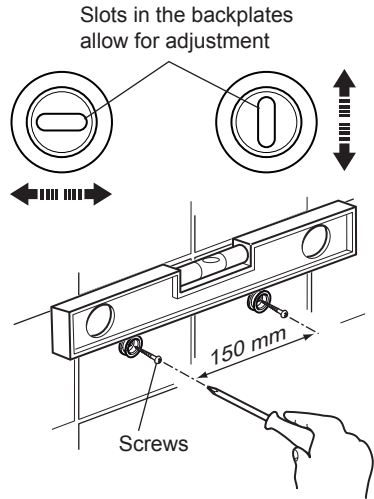
2. Drill the holes for the wall brackets with a 6 mm drill and insert the wall plugs (some wall structures may require alternative fixings, not supplied).



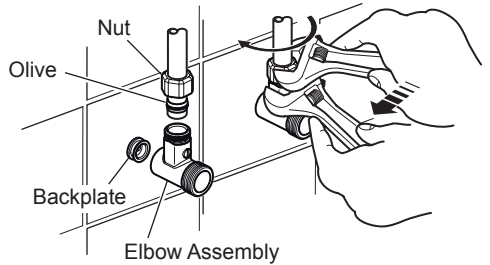
3. Unscrew and remove the compression nuts from the elbow assemblies, then loosen the grubscrews and remove the backplates.



4. Secure the backplates to the wall with the screws supplied.
Important! Make sure that they are level and at 150 mm centres, slots allow for a small amount of adjustment.

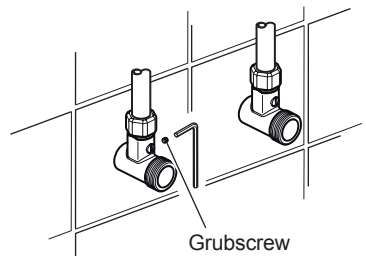


5. Install the pipework, make sure that the nuts and olives are fitted and offer the elbows up to the pipework and backplate.



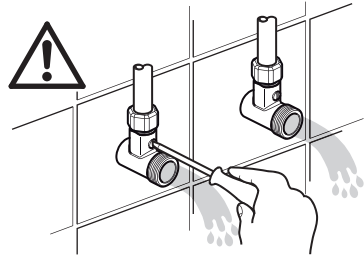
6. Hold the flats on the elbow assembly and tighten the compression nuts.
Caution! Take care not to damage the chrome plated surfaces.

7. Secure the elbow to the backplate, tighten the grubscrew with a 2 mm hexagonal key (supplied).



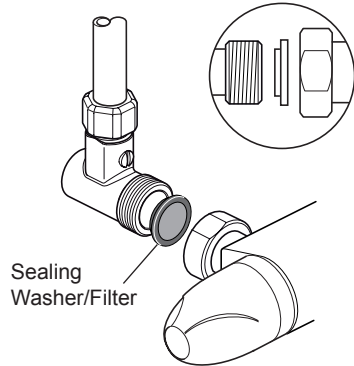
8. **Caution! It is essential at this point that the supply pipework is thoroughly flushed through before connection to the bar valve.**

Make sure that the isolating ball valves are in the off position, turn on the water supplies, then open the ball valves to flush the pipework.

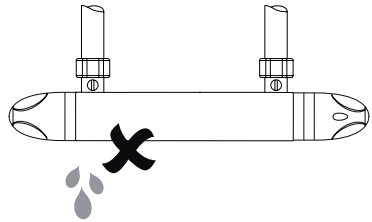


9. Make sure that the sealing washer/filter is fitted in the correct orientation, offer the bar valve up to the offset connectors and tighten the nuts.

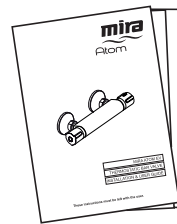
Caution! Take care not to damage the chrome plated surfaces.



10. Turn on the hot and cold water supplies and check for leaks.



11. Refer to your Bar Valve Installation and User Guide for further details on Installation, Commissioning and Operation.



Mira Showers
Kohler Mira Ltd
Cromwell Road,
Cheltenham GL52 5EP.

Telephone: 0870 241 0888
Fax: 01242 282595
E-mail: technical@mirashowers.com

Mira is a registered trade mark of Kohler Mira Limited.
The company reserves the right to alter product specifications without notice.
www.mirashowers.co.uk

