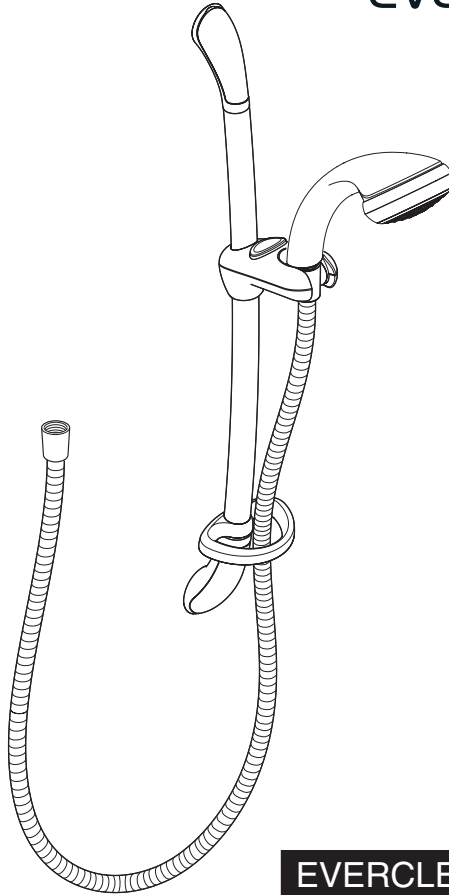


**mira**  
everclear



**EVERCLEAR SHOWER  
SET**

1616.036 & 1616.037

Accessory Pack

Installation and User Guide

**THESE INSTRUCTIONS ARE TO BE LEFT WITH THE USER**



# Contents

	Page
Introduction.....	4
Specification.....	5
Pack Content Checklist.....	5
Dimensions.....	6
Installation.....	7
Operation.....	11
Maintenance.....	12
Spare Parts.....	13
Guarantee, Customer Service, and How to contact us....	Back Cover

# Introduction

The Mira Everclear is a single mode handset. It is suitable for most mixer showers and for electric showers over 9kW.

This Handset has been specifically designed for use in hard water areas. The design incorporates an automatic self drain action and pins to resist and clear lime scale build up.

The face of the handset is cleared with pins coming through the spray plate to stop the build up of lime scale. The pressure of the water moves the spray plate over the pins which enables the holes in the handset to be automatically cleaned.

The Mira Everclear shower handset is available in white or chrome.

## System Applications

- Instantaneous gas heated systems
- Gravity-fed systems
- Mains pressure systems
- Pumped systems
- Electric showers (over 9kW)

## Additional Features

- Automatic Descale
- Automatic Handset Draindown
- Additional Manual Descale (if required)
- High and Low force spray plate

## Alternative Nozzles

The showerhead has been fitted with low capacity spray unit, which is suitable for a pressure of 0.06 – 0.5 bar (0.6 – 5 m head). This is suitable for most shower installations and electric showers, but for high pressure installations the spray force may be too powerful for comfortable showering. In high-pressure installations, such as gas water heaters that require a higher flow rate to operate correctly, we recommend that the high capacity spray unit be fitted.

The high capacity spray unit is also included in the pack.

Refer to the Maintenance section for fitting instructions.

# Specification

Minimum maintained pressure:

With low capacity spray unit fitted (as supplied): 5 kPa (0.05 bar).

With high capacity spray unit fitted: 10 kPa (0.1 bar).

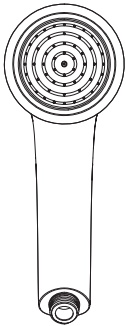
Maximum maintained pressure: 500 kPa (5.0 bar).

Connections: ½" BSP Male

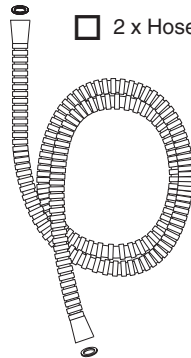
**Warning!** Exceeding the stated maximum maintained pressure could result in excessive spray force and possible damage to the handset.

# Pack Contents Checklist

- Tick the appropriate box to familiarise yourself with the part names and to confirm that the parts are included.



1 x Adjustable Handset



2 x Hose Seals

1 x Shower Hose

2 x Slide Bar End Supports

2 x Slide Bar End Caps

1 x Applicator 

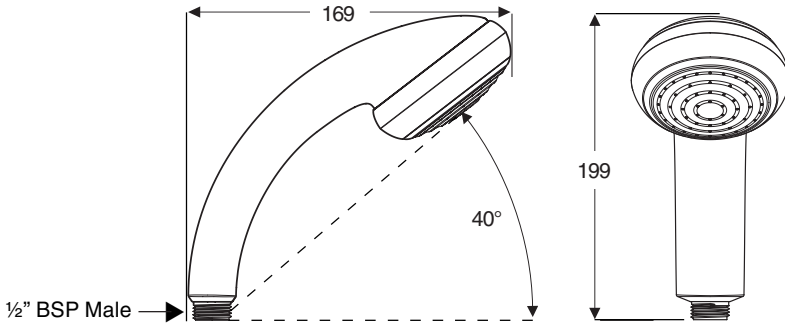
1 x Slide Bar

1 x Clamp Bracket Release Button

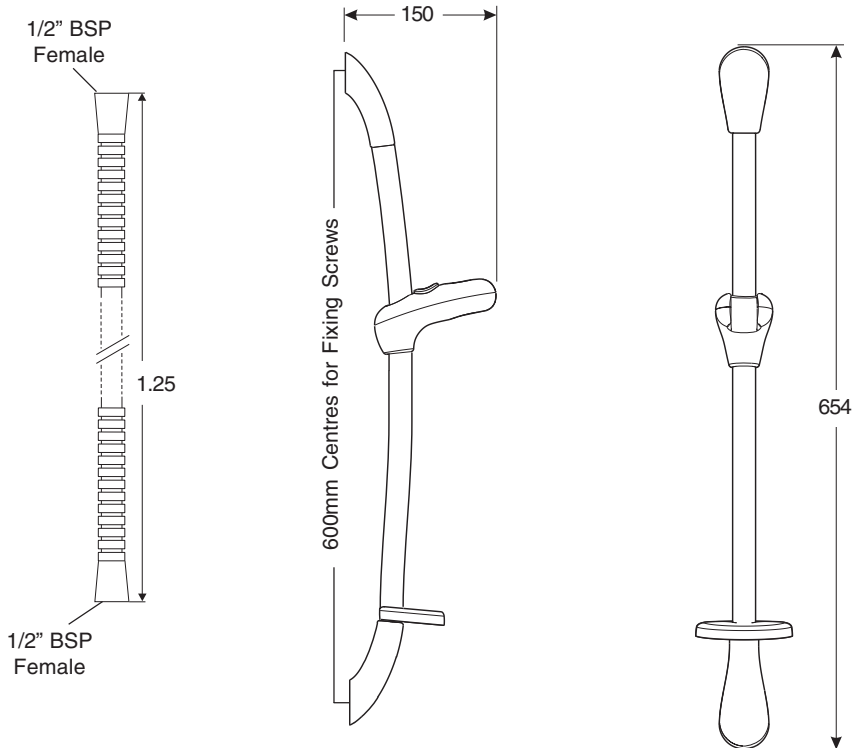
1 x Clamp Bracket Assembly

1 x Hose Retaining Ring

# Dimensions



*All dimensions are nominal and in millimetres*



# Installation

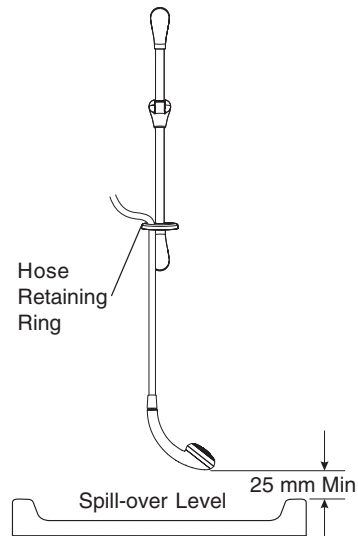
## Slide Bar Installation

**Note!** For dry lined, stud partition, shower cubicle or laminated panel walls the installer may wish to obtain alternative proprietary cavity fixings. Use of these alternative fixings is beyond the scope of this guide.

## Before Installing

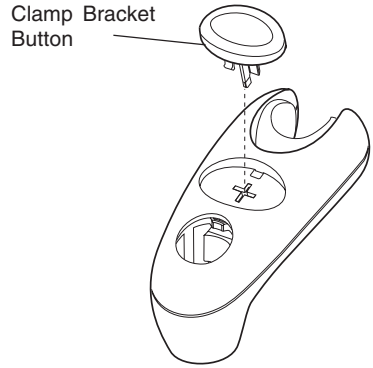
Before installing the slide bar, consider these placement tips:

1. Position the slide bar at a height that allows the handset to be adjusted to a convenient position for all the family.
2. Position the slide bar to one side of the shower control so that the hose will not interfere with the control.
3. Position the slide bar so that the spray from the handset discharges away from the shower control, and down the centre line of the bath or across (rather than into) the shower cubicle opening.
4. Position the slide bar so that, when the hose retaining ring is placed in the lowest position on the slide bar, there is a minimum 25mm distance between the handset and the spill-over level of the bath or shower tray. This is to comply with water regulations preventing back-siphonage.

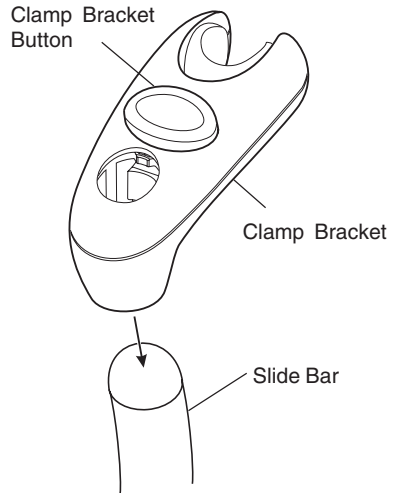


# Installation

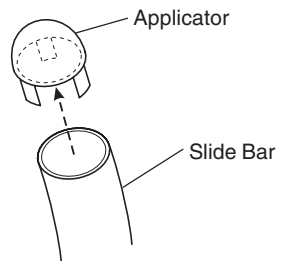
1. Remove the warning label from button recess in the clamp bracket.
2. Fit the clamp bracket button into the clamp bracket. The button will only fit one way.



3. With the clamp bracket button fully depressed, carefully ease the slide bar (applicator end first) through the hole in the clamp bracket. Take care not to dislodge the clamp bracket mechanism or the friction pad.



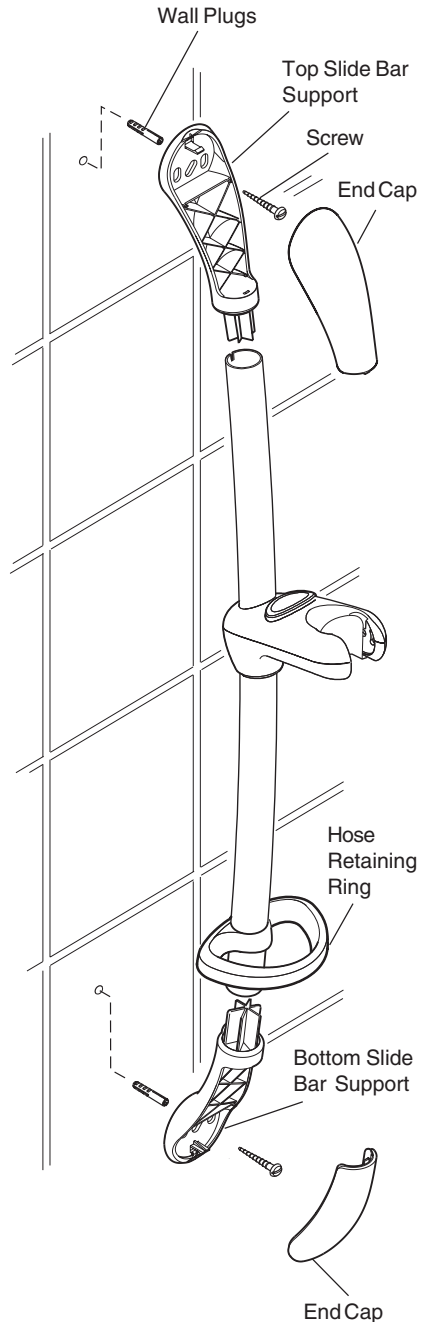
4. Remove the applicator from the top of the slide bar and store it for future use.





5. Slide the hose retaining ring onto the slide bar below the clamp bracket.
6. Fit the two slide bar supports to the ends of the slide bar. Ensure that the slots in the slide bar are aligned with the lugs in the support, and ensure that the supports are pushed fully home.
7. Put the slide bar in position on the wall and make sure that it is upright and level.
8. Mark the position of the fixing holes.
 

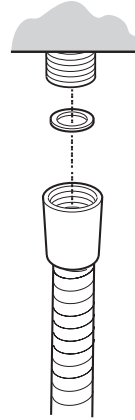
**Warning!** Ensure that there are no buried cables or pipes in the wall before drilling.
9. Remove the slide bar assembly and drill two 8 mm holes as marked.
10. Insert the wall plugs.
11. Secure the bottom slide bar support to the wall using screws. Ensure that the screws are fully tightened.
12. Screw the top slide bar support to the wall loosely. Press firmly down on the support and, while still pressing downward, fully tighten the screws.
13. Fit the end caps to the slide bar supports.
14. Check that the slide bar does not rotate or move up and down. If there is movement, remove the slide bar from the wall and check that the support lugs are properly engaged with the slots in the side bar, and that the supports are pushed completely into the slide bar ends. Refit the slide bar assembly.



# Shower Hose and Handset Installation

1. Screw the Mira shower hose onto the outlet of the shower control. Make sure that the hose washer is fitted.

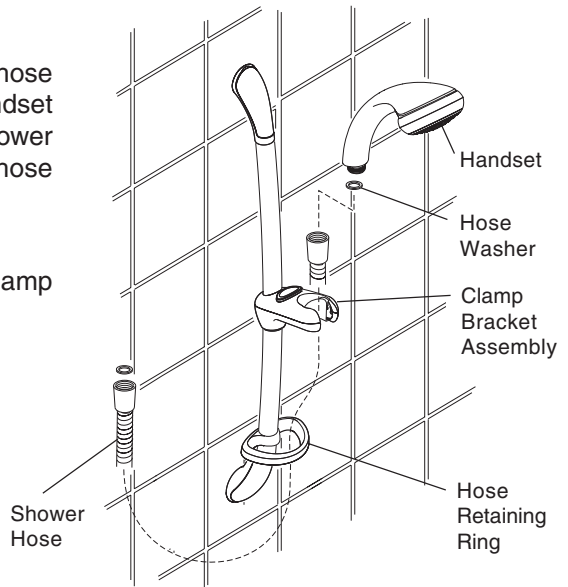
**Caution!** Do not overtighten the hose.



2. Pass the hose through the hose retaining ring. Screw the handset into the remaining end of the shower hose. Make sure that the hose washer is fitted.

**Caution!** Do not overtighten.

3. Place the handset in the clamp bracket assembly.

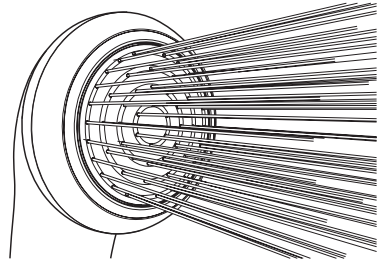


# Operation

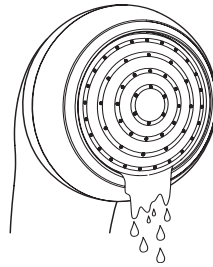
## Spray Settings

The Everclear handset has three operation modes:

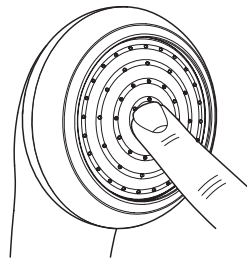
1. The flow of water automatically pushes the spray plate forward, sealing it against the retainer and allowing showering to start.



2. Turning off the flow of water automatically allows the spray plate to retract to the rest position, causing a series of pins to clear any scale from the holes. Water left in the shower head will drain away.



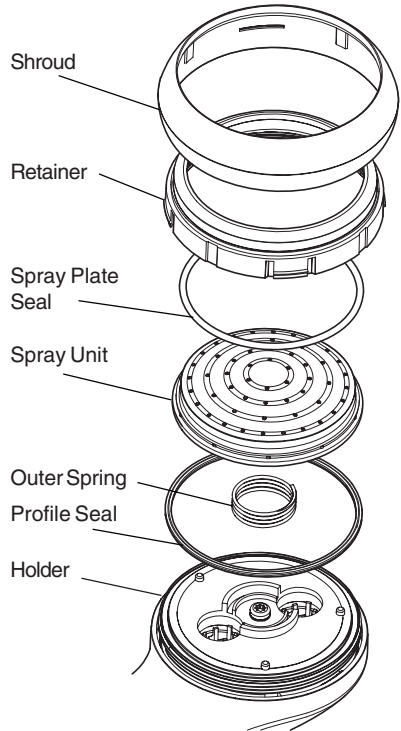
3. If the spray plate should become stuck, it can be pressed further inwards by the user, this will clear any additional scale from the holes. Once released, it will return to the rest position.



# Maintenance

To clean or replace the Spray Unit:

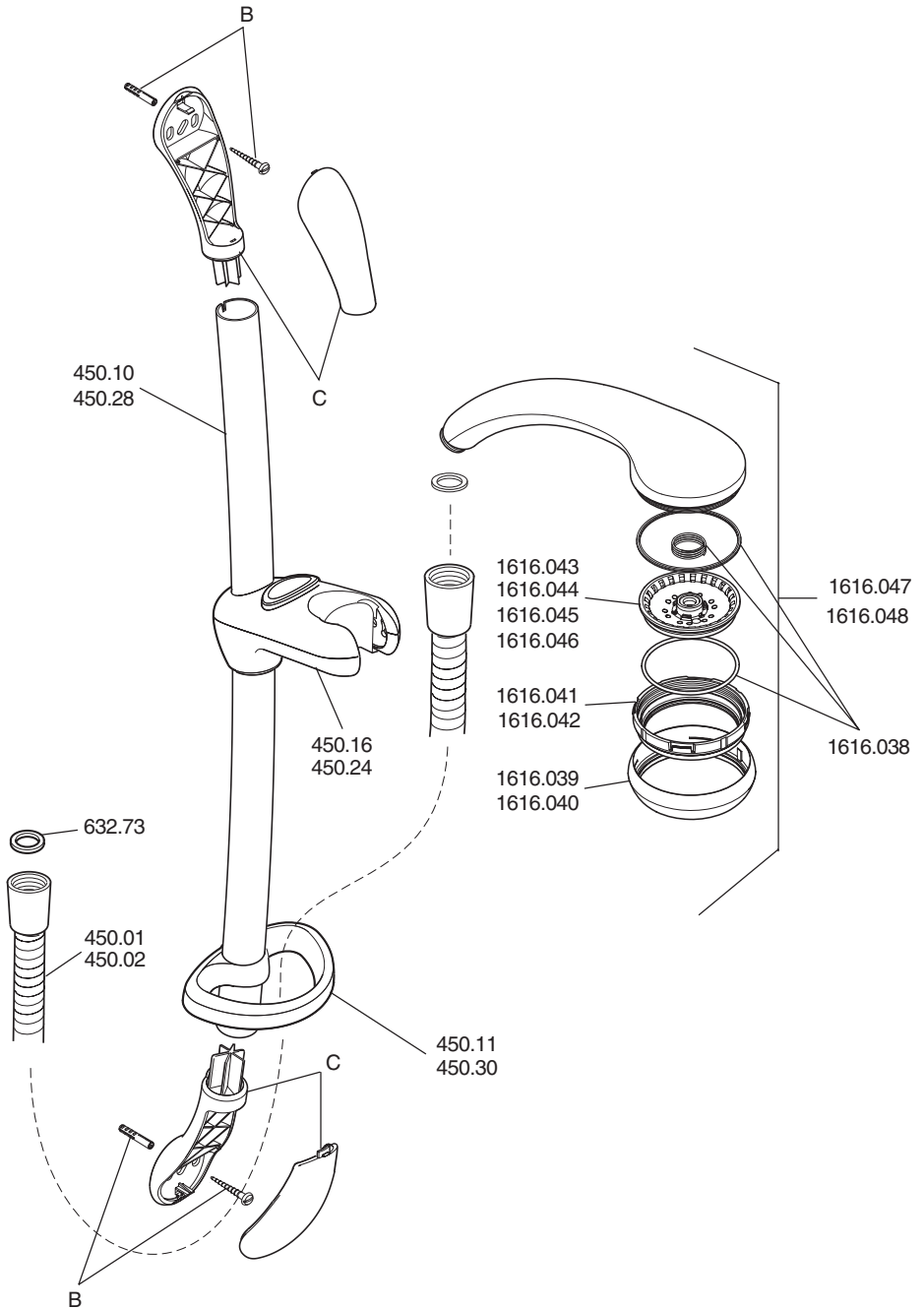
1. Unclip and pull off the shroud.
2. Unscrew the retainer in an anticlockwise direction.
3. Remove the spray unit.
4. If cleaning remove any debris/scale with a stiff brush and wash out.
5. Ensure that the profile seal and outer spring are located into the holder.
6. Refit or renew the spray unit, (ensure the spray plate seal is fitted).
7. Screw in the retainer in a clockwise direction.
8. Push on and snap the shroud into place.



# Spare Parts

450.01	Hose 1.25 m – chrome
450.02	Hose 1.25 m – white
450.08	Service Pack 'O' seals– components identified 'A'
450.10	Slide Bar – white
450.11	Hose Retaining Ring – white
450.16	Clamp Bracket Assembly – white
450.17	Slide Bar Wall Fixing Pack– components identified 'B'
450.24	Clamp Bracket Assembly – chrome
450.26	Slide Bar Support Assembly – white – components identified 'C'
450.27	Slide Bar Support Assembly – chrome – components identified 'C'
450.28	Slide Bar – chrome
450.30	Hose Retaining Ring – chrome
632.73	Hose Washer
1616.038	Seal and Spring Pack
1616.039	Shroud White
1616.040	Shroud Chrome
1616.041	Retainer White
1616.042	Retainer Light Grey
1616.043	Spray Unit LC White
1616.044	Spray Unit LC Light Grey
1616.045	Spray Unit HC White
1616.046	Spray Unit HC Light Grey
1616.047	Everclear Handset White
1616.048	Everclear Handset Chrome

# Spares



# Notes

# Customer Service

## Guarantee (Accessories)

Mira Showers guarantees this product against any defect of materials or workmanship for one year from the date of purchase.

Within the guarantee period we will resolve defects, free of charge, by repair or replacement as we may choose.

Not covered by this guarantee:

- Damage or defects arising from incorrect installation, improper use or lack of maintenance, including build-up of limescale.
- Damage or defects if the product is taken apart, repaired or modified by any person not authorised by Mira Showers or our approved agents.

Proof of Purchase will be required to support any guarantee claims.

This guarantee is in addition to your statutory and other legal rights.

Our Customer Services Team is comprehensively trained to provide every assistance you may need: help and advice, spare parts or a service visit.

As part of our quality and training programme calls may be recorded or monitored.

## Spare Parts

We maintain an extensive stock of spares, which can be purchased from approved stockists or merchants (locations on request) or direct from Customer Services.

Spares direct will normally be despatched within two working days. Payment can be made by Visa or Mastercard at the time of ordering. Should payment by cheque be preferred a pro-forma invoice will be sent.

**Note!** In the interests of safety, spares requiring exposure to mains voltages can only be sent to competent persons.

## Service

Our Service Force is available to provide a quality service at a reasonable cost. You will have the assurance of a Mira trained engineer/agent, genuine Mira spares, and a 12 month guarantee on the repair.

## To contact us

England, Scotland & Wales

### Mira Showers Customer Services

Telephone: 0870 241 0888 8:30 am to 5:00 pm

Working days (4:30 pm Friday)

8:30 am to 12.30 pm Saturday

E-mail: [technical@mirashowers.com](mailto:technical@mirashowers.com)

Fax: 01242 282595

By Post: Cromwell Road  
Cheltenham  
Gloucester  
GL52 5EP

Northern Ireland

### Wm H Leech & Son Ltd

Telephone: 028 9044 9257 – Mon to Fri 9 am-5pm

Fax: 028 9044 9234 – 24 hours

Post: Maryland Industrial Estate

Ballygowan Road  
Moneyreagh, Co Down  
BT23 6BL

Republic of Ireland

### Modern Plant Ltd

Telephone: Dublin 01 4591344 – Monday to Friday  
9am to 5pm

Fax: Dublin 01 4592329 – 24 hours

Post: Otter House

Naas Road  
Clondalkin  
Dublin 22

Mira Showers  
Kohler Mira Ltd  
Cromwell Road,  
Cheltenham GL52 5EP.

Mira is a registered trade mark.  
The company reserves the right to alter  
product specifications without notice.

[www.mirashowers.com](http://www.mirashowers.com)



BS EN ISO 9001 : 1994  
Reg. No. FM 14648

