



mira
waterveil

Mira Waterveil Shower Fittings
Installation and User Guide

These instructions are to be left with the user

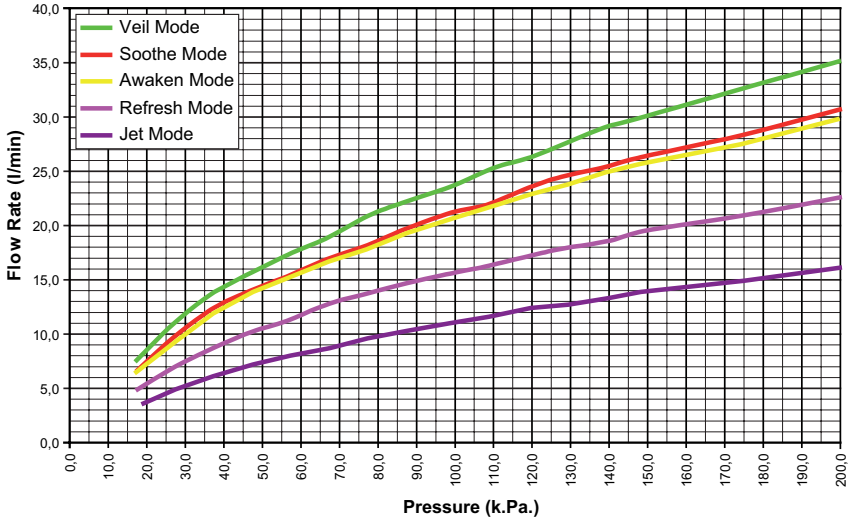
CONTENTS

Introduction	3
Specifications	3
Pack Contents Checklist	4
Mira Waterveil Complete Fittings	4
Mira Waterveil Wall Bracket	5
Dimensions	6
Installation	7
Adjustable Handset Operation	11
Cleaning	12
Fault Diagnosis.....	13
Mira Waterveil Shower Fittings Spare Parts	14
Customer Services	15

Introduction

The Mira Waterveil Shower Fittings

Mira Waterveil shower fittings are precision engineered to give a satisfactory shower over a range of pressures. The fittings are suitable for pressures up to 5.0 bar and pressures down to 0.2 bar.



Products covered by this Guide:

- [Waterveil Complete Fittings](#) - An adjustable spray handset, flexible hose, adjustable clamp bracket assembly, handset holder, slide rail and soap dish. Suitable for connection to surface mounted showers.
- [Waterveil Wall Bracket](#) - An adjustable spray handset, flexible hose, and fixed wall bracket assembly. Suitable for connection to surface mounted or built-in showers.

The Handset

An adjustable spray handset with five different spray actions (Veil, Refresh, Soothe, Awaken and Jet).

Note! The handset is fitted with a single check valve.

Specifications

Minimum maintained pressure 0.2 bar (20 kPa)

Maximum maintained pressure 5.0 bar (500 kPa)

- ▶ **Warning!** Exceeding the stated maximum maintained pressure could result in excessive spray forces and possible damage to the product.

Pack Contents Checklist

Mira Waterveil Complete Fittings

Tick the appropriate boxes to familiarise yourself with the part names and to confirm that the parts are included.

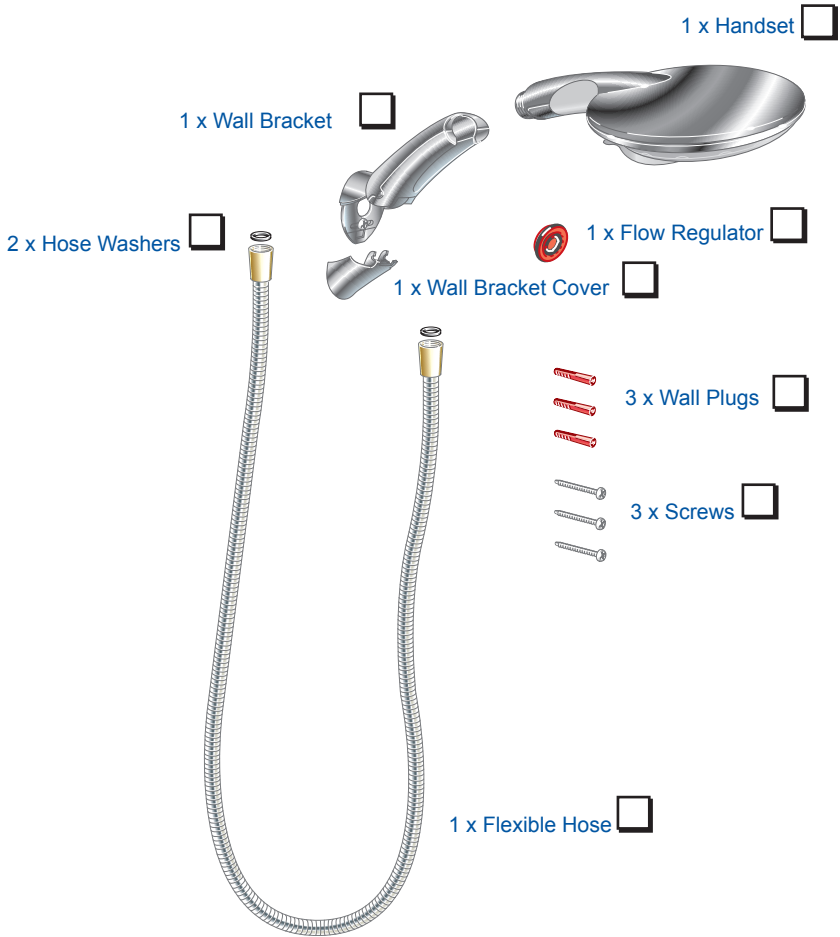


Documentation

1 x Installation and User Guide

Mira Waterveil Wall Bracket

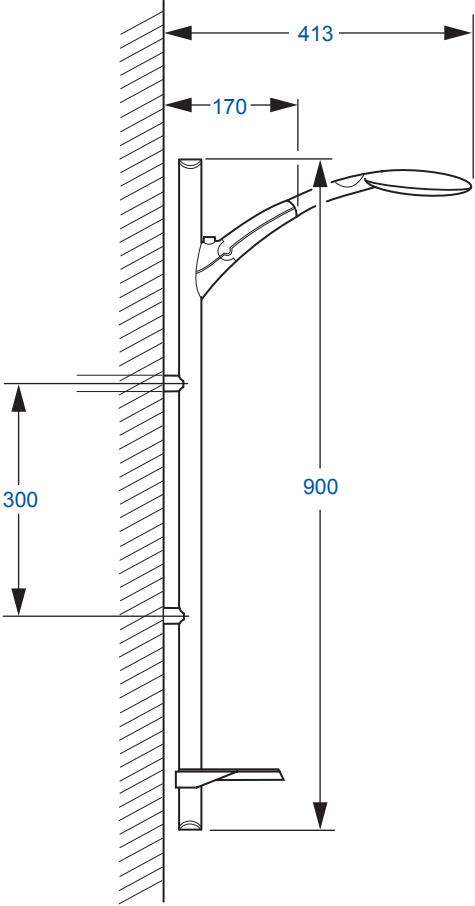
Tick the appropriate boxes to familiarise yourself with the part names and to confirm that the parts are included.



Documentation

1 x Installation and User Guide

Dimensions



All dimensions are nominal and in millimetres.

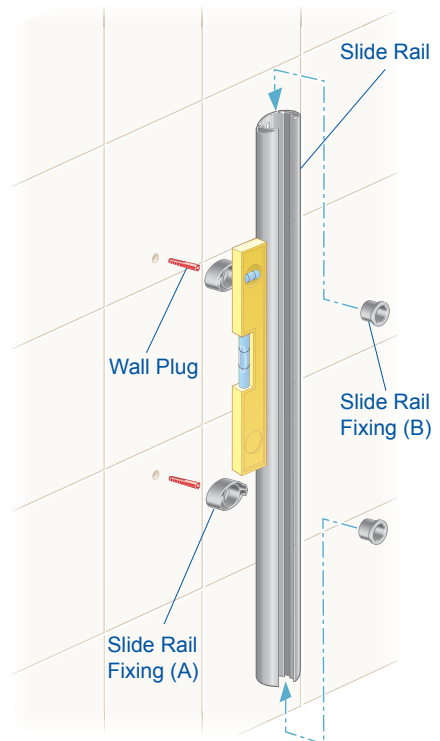
Installation

General

- ▶ Make sure that the shower fittings are installed by a competent installer.
- ▶ Installations must comply with Water Regulations (Bye-Laws, Scotland), and any other Local Regulations and Building Regulations in force at the time of installation.
- ▶ Before installation carefully inspect the new fixture for any signs of damage.
- ▶ The slide bar should be positioned to one side of the shower control at a convenient height for all the family.
- ▶ **Note!** This product is fitted with a single check valve in the handset. To prevent back siphonage and water supply contamination, the handset must either be prevented from dropping below the spill over level of the bath or shower or have an additional single check valve in the system. Single check valves may already be installed as part of the shower control.

Install the Shower Fittings Complete

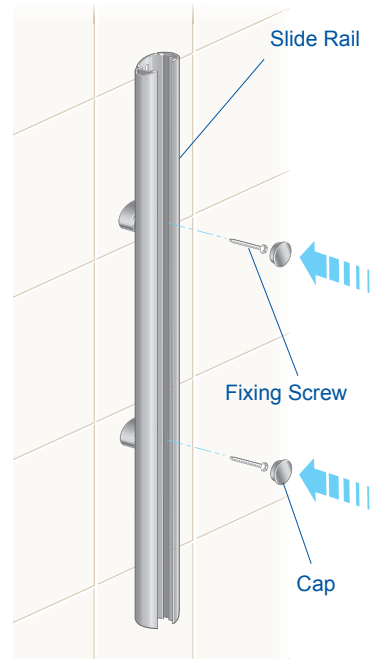
- ▶ Fit the two parts of each slide rail fixing to the slide rail, making sure that they are pushed together correctly.
- ▶ **Note!** Hold slide rail fixing (A) behind the slide rail. Slide rail fixing (B) into the slide rail until it is in line with slide rail fixing (A). Push slide rail fixing (B) through the slide rail and into slide rail fixing (A).
- ▶ Hold the slide rail assembly against the wall in the desired position and make sure that it is level and upright.
- ▶ Using the rail as a template, mark the positions of the fixing holes.
- ▶ **Caution!** Make sure that you avoid buried pipes and cables when you drill the wall.
- ▶ Drill the two 8.0 mm fixing holes and fit the wall plugs.



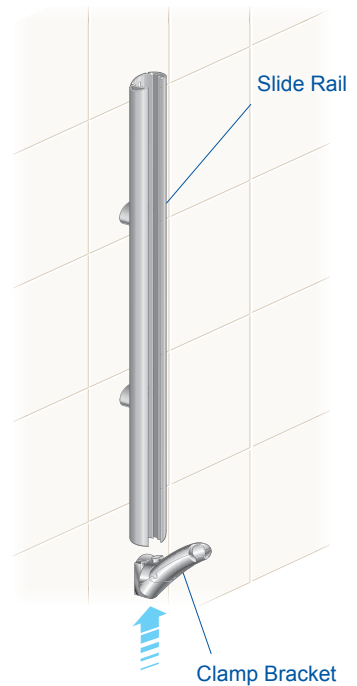
- ▶ Hold the slide rail against the wall and gently screw the slide rail into position. Check that the slide rail is vertical before fully tightening the fixing screws.

- ▶ **Note!** Slide rail fixing (B) can be rotated to accommodate fixing hole variance.

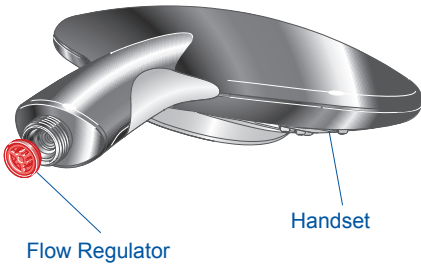
- ▶ Slide the caps into the slide rail and push into slide rail fixing (B).



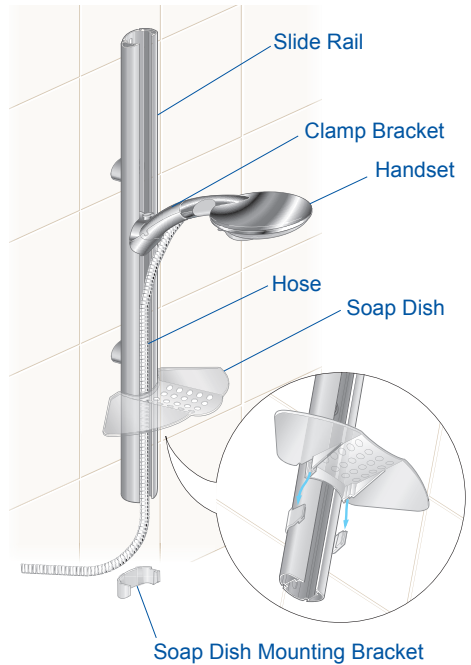
- ▶ Hold down the button on the clamp bracket and gently push the clamp bracket up into the slide rail. Adjust to the correct height and release the button.



- ▶ Attach the hose onto the handset. Make sure that the hose washer is fitted and **do not overtighten**.
- ▶ **Note!** If necessary, for high pressure systems, a 12 litre/minute flow regulator (supplied) can be fitted into the handset.

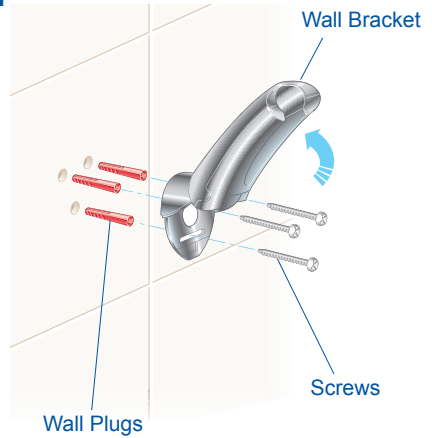


- ▶ Place the handset into the clamp bracket.
- ▶ Pass the hose through the recess of the slide rail.
- ▶ Hold the soap dish on the slide rail. Make sure that the hose is held behind.
- ▶ Slide the soap dish mounting bracket onto the slide rail and push the soap dish into the mounting bracket until it is secure.
- ▶ Slide the soap dish into the correct position on the slide rail.
- ▶ Push the slide rail ends onto each end of the slide rail assembly.
- ▶ Attach the hose to the outlet of the shower control. Make sure that the hose washer is fitted.

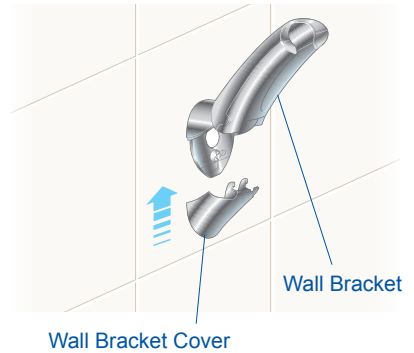


Mira Waterveil Wall Bracket Kit Installation

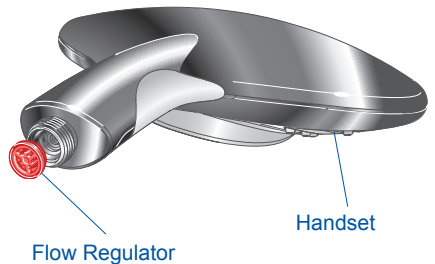
- ▶ Decide on a suitable position for the wall bracket. Mark the hole positions with a pencil.
- ▶ Drill the three 8.0 mm fixing holes for the wall bracket.
- ▶ **Caution!** Avoid any buried cables or pipes.
- ▶ Insert the wall plugs.



- ▶ Hold the wall bracket against the wall and screw the wall bracket into position with the three screws.
- ▶ Push the wall bracket cover onto the wall bracket. Push the cover up into the locked position.



- ▶ Screw the hose onto the handset. Make sure that the hose washer is fitted and **do not overtighten**.
- ▶ **Note!** If necessary, for high pressure systems, a 12 litre/minute flow regulator (supplied) can be fitted into the handset.
- ▶ Place the handset into the wall bracket.
- ▶ The wall bracket can be adjusted by moving the wall bracket upwards or downwards.
- ▶ Attach the hose to the outlet of the shower control. Make sure that the hose washer is fitted.



Adjustable Handset Operation

The handset has five different spray modes, **Veil**, **Refresh**, **Soothe**, **Awaken**, and **Jet**. The handset has a combined checkvalve and flow regulator fitted in the handset. The handset operation is described below:

▶ **Veil**

A revitalizing all over body spray to immerse in.
Rotate the spray plate fully anti-clockwise.



▶ **Refresh**

A combination mode giving an invigorating spray.
Rotate the spray plate fully anti-clockwise, then clockwise to the first setting.



▶ **Soothe**

A gentle, relaxing full spray.
Rotate the spray plate fully anti-clockwise, then clockwise to the second setting.



▶ **Awaken**

A revitalizing mode to awaken your senses.
Rotate the spray plate fully anti-clockwise, then clockwise to the third setting.



▶ **Jet**

A stimulating burst of energy to enliven the body.
Rotate the spray plate fully clockwise.



Cleaning

- ▶ Many household cleaners contain abrasive and chemical substances, and should not be used for cleaning plated or plastic fittings. These finishes should be cleaned with a mild washing up detergent or soap solution, and then wiped dry using a soft cloth.
- ▶ To avoid limescale, use your thumb or a soft cloth to wipe any limescale from the soft rubber nozzles and the front face of the showerhead.
- ▶ **Note!** The handset is not a serviceable item, **do not** dismantle as this could damage the product.

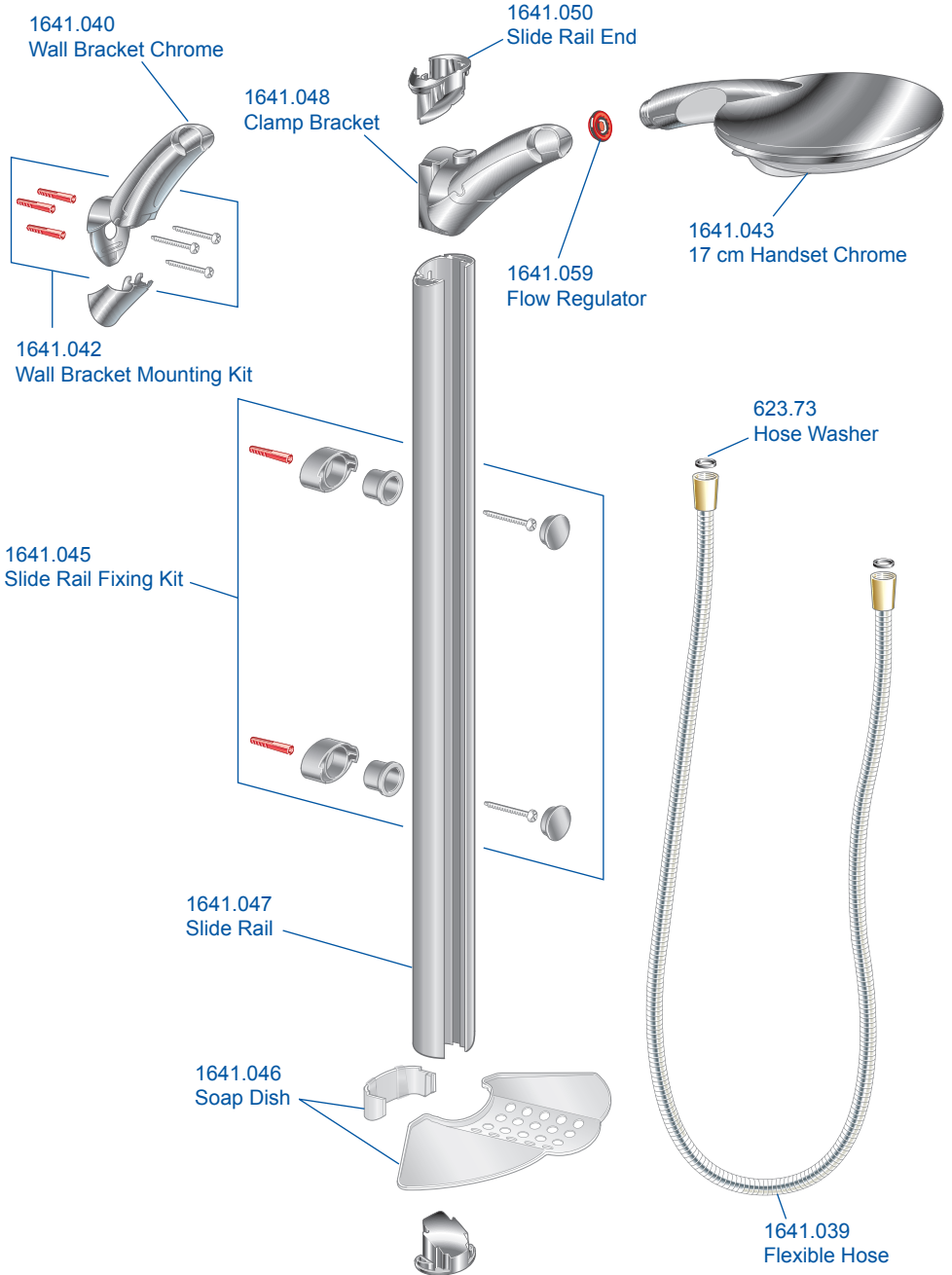


Fault Diagnosis

The trouble shooting information tabled below gives details on what you can do as a user, should you encounter difficulties with the shower fittings whilst operating the shower. Before replacing any parts make sure that the underlying cause of the malfunction has been resolved.

Malfunction	Cause	Remedy
No flow or low flow rate from the shower fitting.	<p>The spray plate assembly is blocked.</p> <p>The hose is blocked or twisted.</p> <p>Flow regulator is fitted.</p> <p>Problem with the shower control.</p>	<p>Refer to the 'Cleaning' section.</p> <p>Clear blockage or replace the hose.</p> <p>Remove flow regulator.</p> <p>Refer to the Appliance Installation and User Guide.</p>
Water dripping from the handset spray plate.	<p>A small amount of water may be retained in the shower handset after the shower control has been turned off. This may drain over a few minutes.</p> <p>Defective shower control.</p>	<p>This is quite normal. Adjusting the position of the shower handset may reduce the draining time.</p> <p>Refer to the Appliance Installation and User Guide.</p>
The shower temperature changes when the spray setting is adjusted.	The spray plate assembly is blocked.	<p>Make sure that the spray plate assembly is clean. Refer to the 'Cleaning' section.</p> <p>If the malfunction persists refer to the Appliance Installation and User Guide.</p>
The flow rate is too high.	Supply pressure is too high.	Fit a flow regulator. Refer to the 'Installation' section.

Mira Waterveil Shower Fittings Spare Parts



Customer Services

Guarantee of Quality

Mira Showers guarantee your product against any defect in materials or workmanship for the period shown in the Guarantee Registration Document included with your shower.

Alternatively, to confirm the applicable guarantee period please contact Customer Services.

To validate the guarantee, please return your completed registration card.

Within the guarantee period we will resolve defects, free of charge, by repairing or replacing parts or modules as we may choose.

To be free of charge, service work must only be undertaken by Mira Showers or our Approved Agents in Northern Ireland and the Republic of Ireland.

Service under this guarantee does not affect the expiry date. The guarantee on any exchanged parts or product, ends when the normal product guarantee period expires.

Not covered by this guarantee

Damage or defects arising from incorrect installation, improper use or lack of maintenance, including build-up of limescale.

Damage or defects if the product is taken apart, repaired or modified by any person not authorised by Mira Showers or our Approved Agents.

This guarantee is in addition to your statutory and other legal rights.

Before using your shower

Please take the time to read and understand the operating and safety instructions detailed in this manual.

What to do if something goes wrong

If when you first use your shower and it doesn't function correctly, first contact your installer to check that installation and commissioning are satisfactory and in accordance with the instructions in this manual.

Should this not resolve the difficulty, simply contact our Customer Services who will give every assistance, and if necessary arrange for our Service Engineer to visit.

If later the performance of your shower declines, consult this manual to see whether simple home maintenance is required. Please call our Customer Services to talk the difficulty through, request service under guarantee if applicable, or take advantage of our comprehensive After-Sales Service.

As part of our quality and training programme calls may be recorded or monitored.

Our Customer Services Team is comprehensively trained to provide every assistance you may need: help and advice, spare parts or a service visit.

Spare Parts

We maintain an extensive stock of spares, and aim to have functional parts available for ten years from the date of final manufacture of the product.

Spares can be purchased from approved stockists or merchants (locations on request) or direct from Customer Services.

Spares direct will normally be despatched within two working days. Payment can be made by Visa or Mastercard at the time of ordering. Should payment by cheque be preferred a pro-forma invoice will be sent.

Note! In the interests of safety, spares requiring exposure to mains voltages can only be sent to competent persons.

Service

Our Service Force is available to provide a quality service at a reasonable cost. You will have the assurance of a Mira trained Engineer/Agent, genuine Mira spares and a 12 month guarantee on the repair.

Payment should be made directly to the Service Engineer/Agent, using Visa, MasterCard or a cheque supported by a banker's card.

To contact us

England, Scotland & Wales

Mira Showers Customer Services

Telephone: 0870 241 0888

Mon. to Fri. 8:00 am to 5:30 pm

8:30 am to 3:30 pm Saturday

technical@mirashowers.com

E-mail:

Fax:

By Post:

Cromwell Road, Cheltenham,

Gloucestershire, GL52 5EP

Northern Ireland

Wm H Leech & Son Ltd

Telephone: 028 9044 9257

Mon. to Fri. 9:00 am - 5:00 pm

E-mail:

leech@dnet.co.uk

Fax:

028 9044 9234

Post:

Maryland Industrial Estate

Ballygowan Road, Moneyreagh,

Co Down, BT23 6BL

Republic of Ireland

Modern Plant Ltd. (Dublin)

Telephone: 01 459 1344

Mon. to Fri. 9:00 am - 5:00 pm

E-mail:

sales@modernplant.ie

Fax:

01 459 2329

Post:

Otter House, Naas Road,

Clondalkin, Dublin 22

Modern Plant Ltd. (Cork)

Telephone: 021 496 8755

Mon. to Fri. 9:00 am - 5:00 pm

E-mail:

cork@modernplant.ie

Fax:

021 496 8607

Post:

Tramore Road, Cork



Mira Showers
Kohler Mira Ltd
Cromwell Road
Cheltenham
GL52 5EP

Mira is a registered trade mark of
Kohler Mira Limited.
The company reserves the right to alter
product specifications without notice.
www.mirashowers.com



FM 14648

mira
waterveil