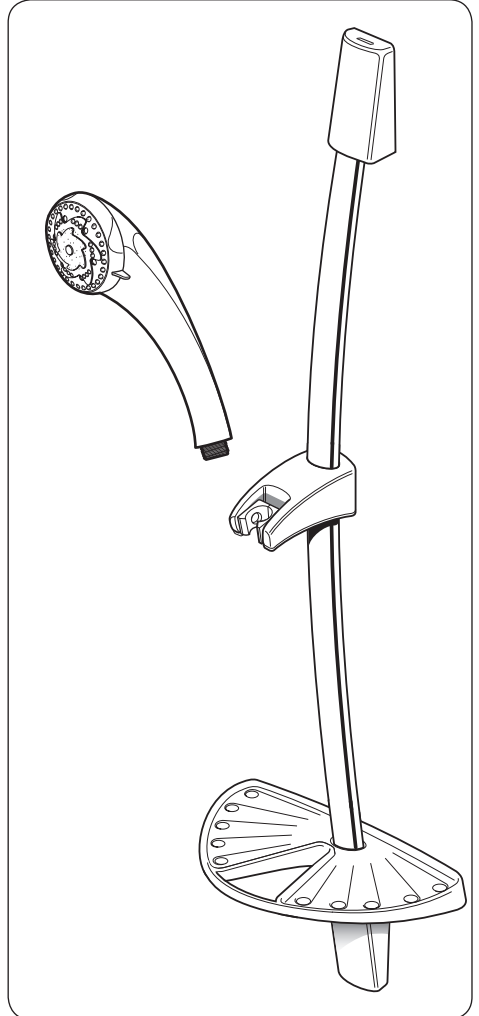


**TRITON**

***Arc  
riser rail &  
5000 series  
showerhead***

**Installation and  
operating  
instructions**



INSTALLERS PLEASE NOTE THESE INSTRUCTIONS ARE TO BE LEFT WITH THE USER

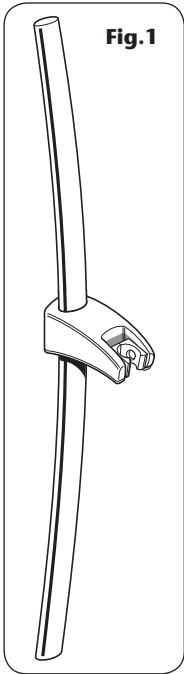


Fig.1

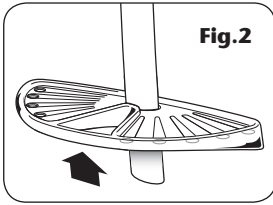


Fig.2

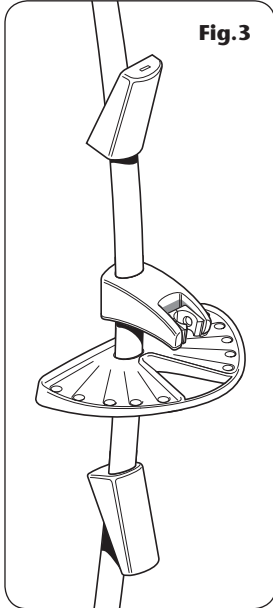


Fig.3

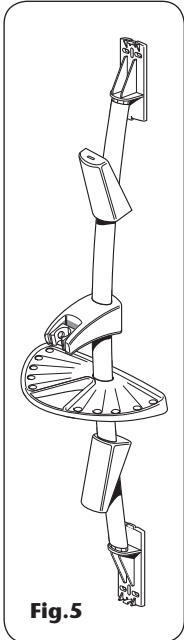


Fig.5

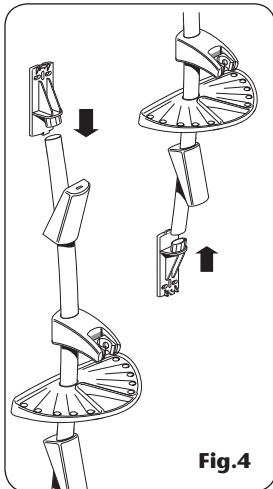


Fig.4

**WARNING!**

**Check there are no hidden cables or pipes before drilling holes for wall plugs. Use great care when using power tools near water. The use of a residual current device (RCD) is recommended.**

Decide the position for the rail on the wall within the shower area. Proceed as follows:

Fit the showerhead holder onto the riser rail.

The correct orientation of the holder is when the showerhead holder is sloping **DOWN (fig.1)**.

To fit the showerhead holder onto the riser rail unit, press and hold the button on the underneath of the showerhead holder to release the locking mechanism, then slide onto the rail.

Slide the supplied soap dish onto the riser rail below the showerhead holder **(fig.2)**.

Slide the top and bottom finishing trims onto the riser rail **(fig.3)**.

Push the two fixing brackets into the ends of the riser rail **(fig.4)**.

Offer the rail assembly to the wall **(fig.5)**. Using the brackets as templates, mark two upper holes and two lower holes. Note there are four provisions for screws per bracket – select the two most suitable for your requirements. Make sure the rail is aligned vertically.

Drill and plug the wall. *(The wall plugs provided are suitable for most brick walls – use an appropriate masonry drill, but if the wall is plasterboard or a soft building block, use suitable wall plugs and a suitable drill bit).*

Screw to the wall with the fixing screws supplied.

Slide the finishing trims onto the brackets. Make sure the lug on each rail bracket end engages into the slot on the fatter end of each trim before push fitting the thinner ends in place **(fig.6)**.

To remove a trim, push a small screwdriver or similar through the slot in the trim end and carefully pull away from the wall bracket.

Slide the soap dish down the rail so that its bracket engages on top of the lower finishing trim.

### Adjusting the showerhead holder

To adjust the height, press the button underneath the holder to release the locking mechanism (**fig.7**). Still pressing the button, move the holder up or down to suit user's requirement.

### FITTING THE HOSE AND SHOWERHEAD

Feed the flexible hose through the soap dish opening (**fig.8**) so the dish acts as a retaining ring (Water Regulations).

Screw the flexible hose to the shower outlet and showerhead, checking the supplied washers are in place at both ends of the flexible hose (**fig.9**).

Place the showerhead into the holder and check that it fits correctly (**fig.10**).

**Note:** The holder is slightly tapered and the showerhead and hose will only fit from one direction.

**IMPORTANT:** It is the conical end of the hose which grips into the holder. The showerhead will not fit in the holder without the hose attached.

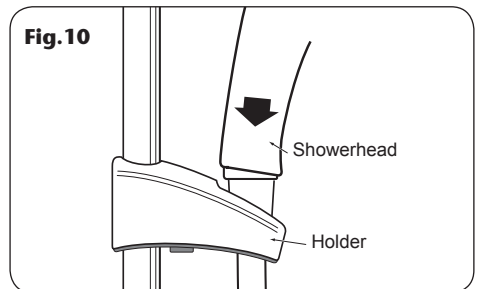
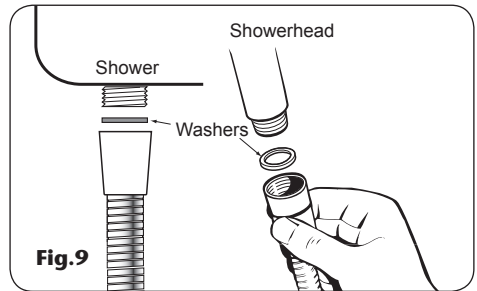
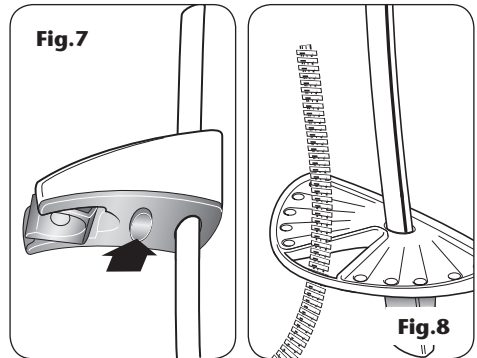
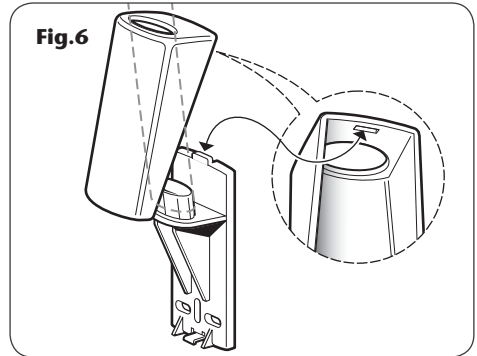
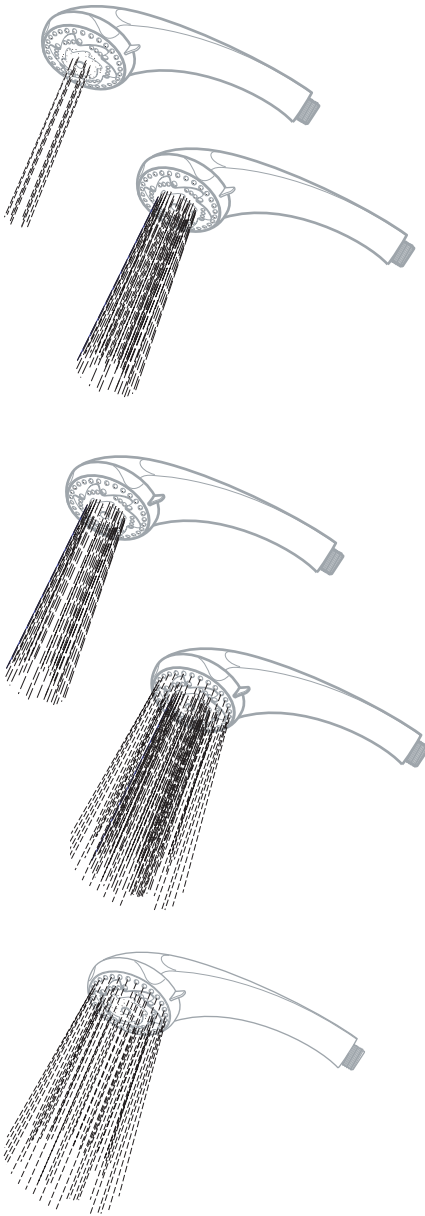


Fig.11



### ADJUSTING THE SHOWERHEAD

This instruction book covers the operation and cleaning of Triton's 5000 series electric and gravity showerheads.

Your shower is supplied with a five position showerhead, with a rub clean face.

Five showerhead patterns are available (**fig.11**). Adjust the spray pattern by turning the bezel on the showerhead in either direction until the desired pattern is obtained.

## CLEANING

### WARNING!

**DO NOT use 'powerful' abrasive or solvent cleaning fluids when cleaning the shower as they may damage the plastic fittings.**

Before cleaning, turn off the unit at the isolation switch to avoid the shower being accidentally switched on.

IT IS IMPORTANT TO KEEP THE SHOWERHEAD CLEAN TO MAINTAIN THE PERFORMANCE OF THE SHOWER. The hardness of the water will determine the frequency of cleaning. For example, if the shower is used every day in a very hard water area, it may be necessary to clean the showerhead on a weekly basis.

### **Sprayplate removal**

There is no need to remove the showerhead from the hose.

Using the removal tool supplied (**fig.12**), locate the raised 'bosses' into the recesses in the sprayplate. Hold in firmly and twist anti-clockwise (**fig.13**). This movement may turn the cartridge assembly as well until it reaches a 'stop'.

Hold the cartridge firmly and continue to twist anti-clockwise. Having loosened the sprayplate, it can be unscrewed and removed completely.

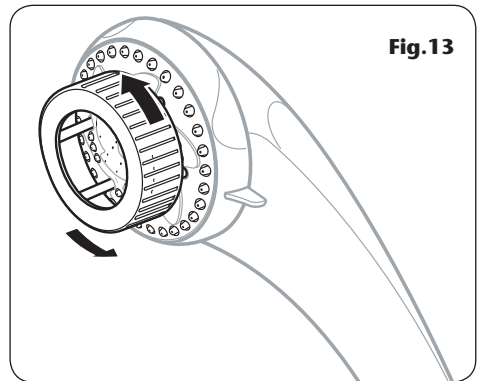
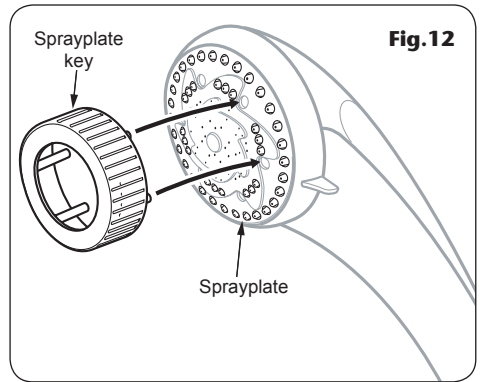
Clean the sprayplate with a suitable brush or preferably leave it to soak overnight in a mild proprietary descaler. Make sure all traces of scale are removed and thoroughly rinse in clean water afterwards.

Before replacing the sprayplate, switch the power back on at the isolating switch and direct the hose and showerhead to waste.

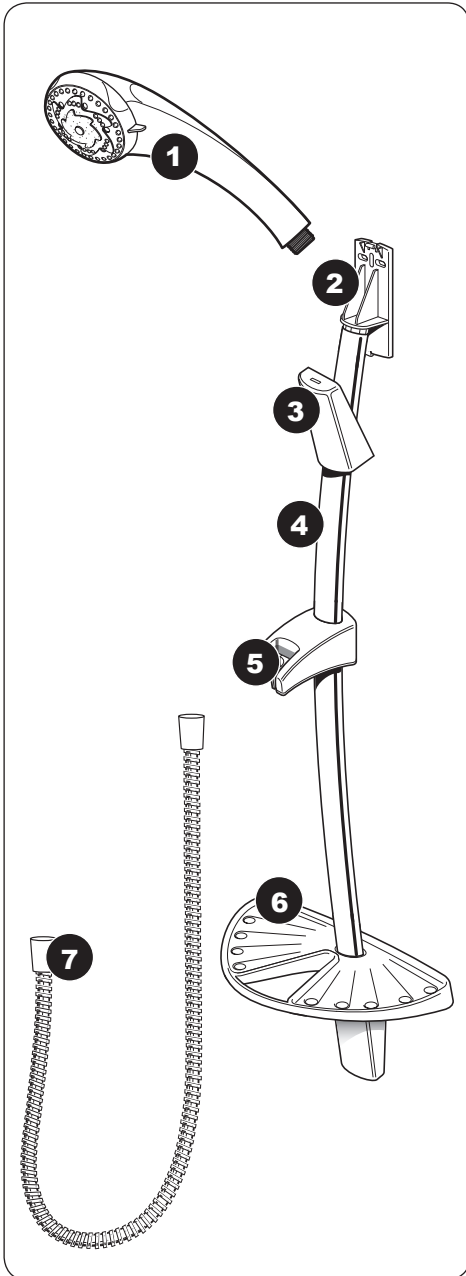
Rotate the temperature control to the COLD position.

Switch on the shower. This operation will flush out any loose scale deposits in the unit and showerhead. Stop after about thirty seconds.

Refit the sprayplate by screwing clockwise. Use the tool to screw the sprayplate tight.



**SPARE PARTS**



**Ref. Description**

**Part No.**

– Kit complete (excluding hose, showerhead, riser rail)

white 86000850  
chrome 86000840

**1** 5 mode rub clean showerhead  
white electric 22010980  
chrome electric 22011130  
gold electric 22011140  
white gravity 22011070  
chrome gravity 22011110  
gold gravity 22011120

**2** Brackets (pair) 22010430

**3** Trims (pair)  
white 22010440  
chrome 22010740

**4** Riser rail  
aluminium 22011310  
chrome 22010750  
white 22010450

**5** Showerhead holder  
chrome 22010730  
white 22010460

**6** Soap dish – clear 22010470

**7** 1.25m flexi hose – chrome 28100000  
1.75m flexi hose – chrome 28100010



## **TRITON STANDARD GUARANTEE**

Triton guarantee this product against defects arising from faulty workmanship or materials for a period of one year for domestic use only, from the date of purchase, provided that it has been installed by a competent person in full accordance with the fitting instructions.

Any part found to be defective during this guarantee period we undertake to repair or replace at our option without charge so long as it has been properly maintained and operated in accordance with the operating instructions, and has not been subject to misuse or damage.

This product must not be taken apart, modified or repaired except by a person authorised by Triton. This guarantee applies only to products installed within the United Kingdom and does not apply to products used commercially. This guarantee does not affect your statutory rights.

Triton Showers  
Triton Road  
Nuneaton  
Warwickshire CV11 4NR

*Triton is a division of Norcros Group (Holdings) Limited*

**Customer Service: ☎ +44 (0) 87 0067 3333**

**Scottish and Northern Ireland**

**Customer Service: ☎ +44 (0) 84 5762 6591**

**Trade Installer Hotline: ☎ +44 (0) 87 0067 3767**

**Fax: +44 (0) 87 0067 3334**

**[www.tritonshowers.co.uk](http://www.tritonshowers.co.uk)**

**E mail: [technical@triton.plc.uk](mailto:technical@triton.plc.uk)**